

**SUZUKI**  
PARTS CATALOGUE

**DS250RLM5**  
**(MB8EL11NDP)**

***V-STRON SX***

P74



2025-02

1<sup>ST</sup> EDITION

# DS250RLM5



COLOR CODE	DESCRIPTION
YVB	SUZUKI_V-STROM_BLACK



COLOR CODE	DESCRIPTION
YU1	SUZUKI_V-STROM_BLACK/YELLOW



COLOR CODE	DESCRIPTION
QSB	SUZUKI_V-STROM_BLACK/RED

## PREFACE

When it becomes necessary to replace parts on SUZUKI MOTORCYCLES, always use SUZUKI GENUINE PARTS which have passed a strict inspection which guarantees quality and performance.

This parts catalogue covers the list of all service parts for SUZUKI DS250RLM5.

### INSTRUCTIONS FOR QUOTING THE CATALOGUE

#### 1. DIMENSIONS

Dimensions of the parts in this catalogue are indicated in unit millimeters.

#### 2. ABBREVIATIONS

Abbreviations used in this catalogue are as follows:

AR	: As required	NT	: Number of teeth
ASSY	: Assembly	OPT	: Optional
E.NO.	: Engine number	OS	: Over size
F.NO.	: Frame number	STD	: Standard
D	: Diameter of material	T	: Thickness
ID	: Inside diameter	US	: Under size
OD	: Outside diameter	W	: Width
L	: Length		
LH	: Left hand side		
RH	: Right hand side		

~100045: Up to F.NO. A100-100045

100046~: From F.NO. A100-100046

12 x 34 x 5.6..... Figures in the description column

| | | show the dimensions of parts.

ID OD T (or W, L)

→12345-56781 (Parts No.): Indicates that the parts number was changed to 12345-56781 and the new parts are interchangeable with the former ones, but the former ones are not interchangeable with new ones.

←12345-56781 (Parts No.): Indicates that the former and new parts are interchangeable with each other, and both are usable.

#### 3. INNER PARTS OF ASSEMBLY

Part name with a dot (.) in front as shown in the description column indicates the component of the assembly also available individually.

#### 4. MODIFICATION NOTICE

A parts bulletin will be sent to you on all occasions when changes in parts occur, including interchangeable modifications between new parts and old ones.

#### 5. NOTE

5-1. There are some different parts from those of production models among spare parts for the administrative reasons and common use of them with other models.

5-2. In respect of rubber hoses and vinyl tubes, please be sure to use them by cutting off according to the length mentioned on parts catalogue or what is actually required on the vehicle.

5-3. Note that the drawings on the illustration page are for ready reference of spare parts number, not to be used as an assembly manual.  
When assembling, use "SUZUKI SERVICE MANUAL".

#### 6. SPECIFICATION CODE

This catalogue contains the parts for the model designed for the following spec.; spec. code: P74.

#### 7. SERIAL FRAME NUMBER

DS250RLM5 : MB8EL11VGR8100021~

- Note

1) 9th Digit of frame number signifies month of production.

2) 10th digit of frame number signifies year of production.

MONTH	CODE
January	A
February	B
March	C
April	D
May	E
June	F
July	G
August	H
September	J
October	K
November	L
December	M

YEAR	CODE
2013	D
2014	E
2015	F
2016	G
2017	H
2018	J
2019	K
2020	L
2021	M
2022	N
2023	P
2024	R
2025	S

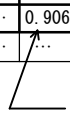


MILLIMETER → INCH CONVERSION CHART

	0	1	2	3	4	5	6	7	8	9
00	.000	.039	.079	.118	.157	.197	.236	.276	.315	.354
10	.394	.433	.472	.512	.551	.591	.630	.669	.709	.748
20	.787	.827	.866	.906	.945	.984	1.024	1.063	1.102	1.142
30	1.181	1.220	1.260	1.299	1.339	1.378	1.417	1.457	1.496	1.535
40	1.575	1.614	1.654	1.693	1.732	1.772	1.811	1.850	1.890	1.929
50	1.969	2.008	2.047	2.087	2.126	2.165	2.205	2.214	2.283	2.323
60	2.362	2.402	2.441	2.480	2.520	2.559	2.598	2.638	2.677	2.717
70	2.756	2.795	2.835	2.874	2.913	2.953	2.992	3.031	3.071	3.110
80	3.150	3.189	3.228	3.268	3.307	3.346	3.386	3.425	3.465	3.504
90	3.543	3.583	3.622	3.661	3.701	3.740	3.780	3.819	3.858	3.898

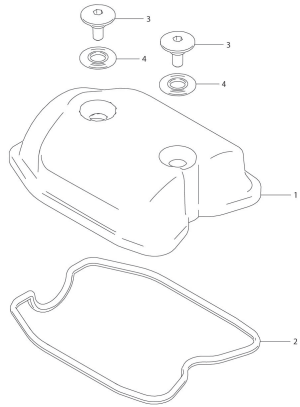
How to read

	0	1	2	3	4
00	...	...	...	...	...
10	...	...	...	...	...
20	...	...	...	0.906	...
30	...	...	...	...	...


 23 millimeters equal 0.906 inch

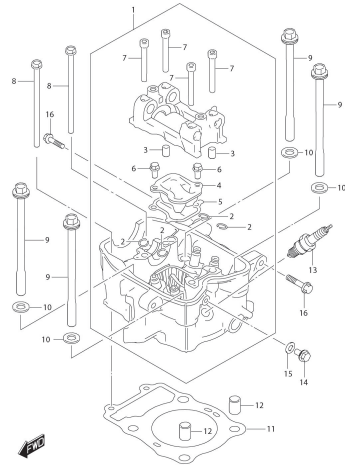
Contents are subject to change without notice or obligation.

FIG.102A



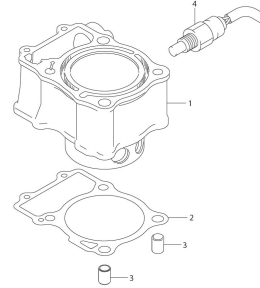
DS250MS\_P74\_102A  
CYLINDER HEAD COVER

FIG.103A



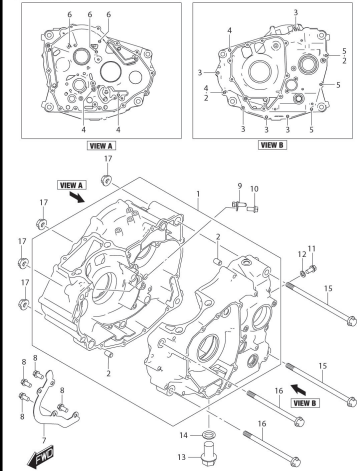
DS250MS\_P74\_103A  
CYLINDER HEAD

FIG.107A



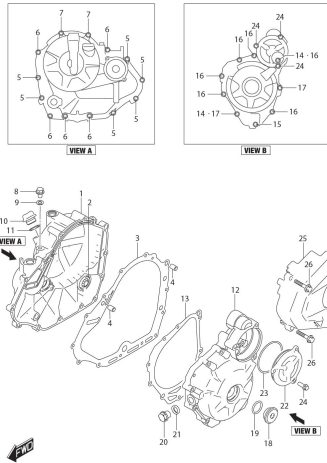
DS250MS\_P74\_107A  
CYLINDER

FIG.108A



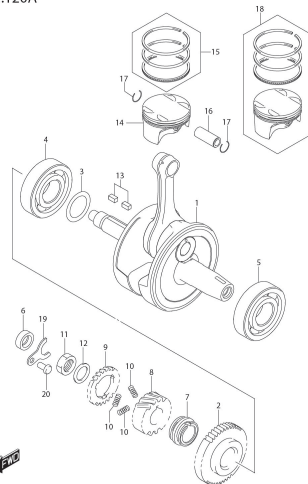
DS250MS\_P74\_108A  
CRANKCASE

FIG.112A



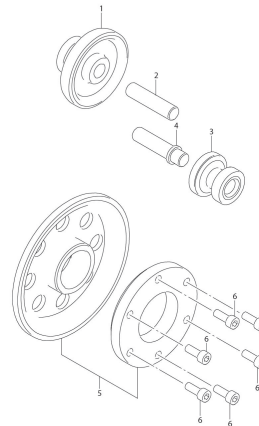
DS250MS\_P74\_112A  
CRANKCASE COVER

FIG.120A



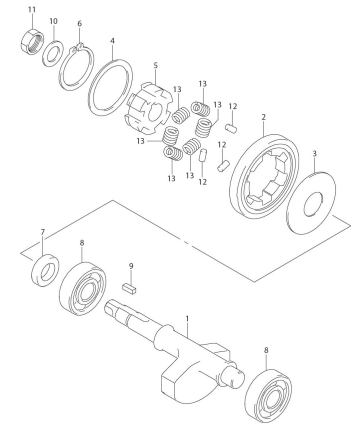
DS250MS\_P74\_120A  
CRANKSHAFT

FIG.122A



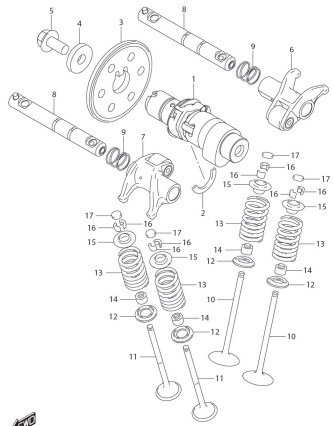
DS250MS\_P74\_122A  
STARTER CLUTCH

FIG.124A



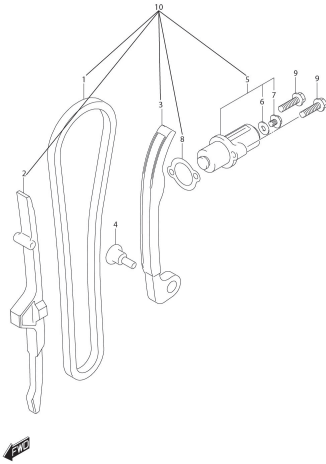
DS250MS\_P74\_124A  
CRANK BALANCER

FIG.126A



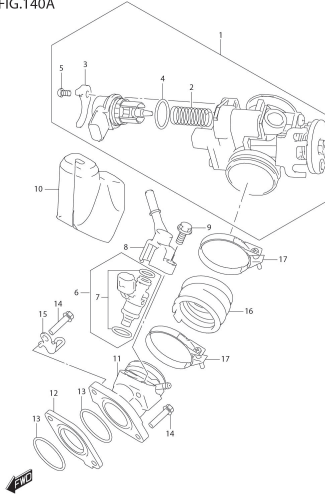
DS250MS\_P74\_126A  
CAMSHAFT/VALVE

FIG.127A



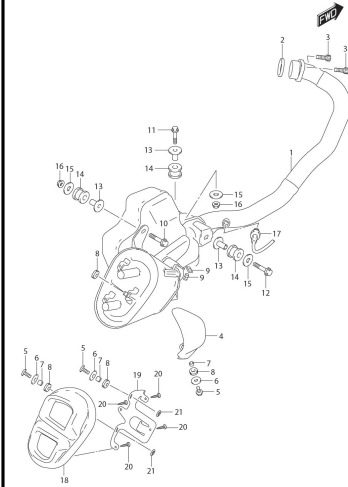
DS250MS\_P74\_127A  
CAM CHAIN

FIG.140A



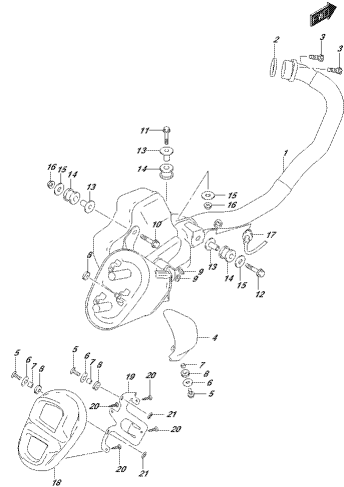
DS250MS\_P74\_140A  
THROTTLE BODY

FIG.163A



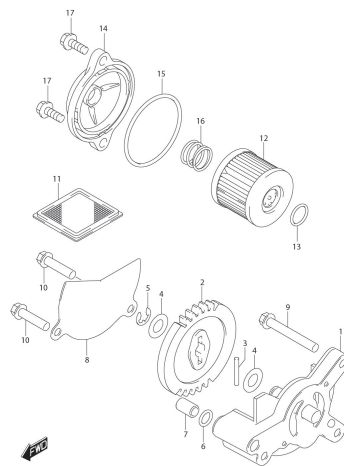
DS250MS\_P74\_163A  
MUFFLER

FIG.163A



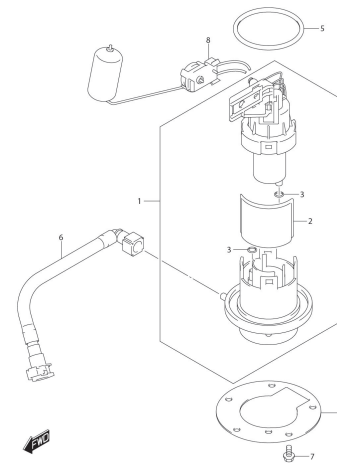
DS250MS\_P74\_163A  
MUFFLER

FIG.170A



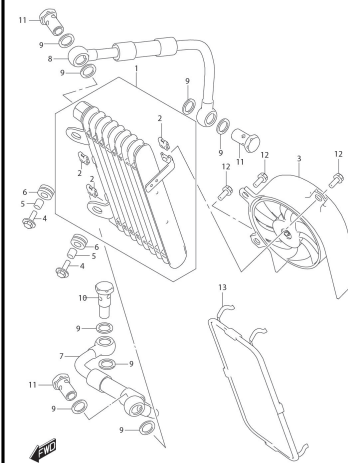
DS250MS\_P74\_170A  
OIL PUMP

FIG.172A



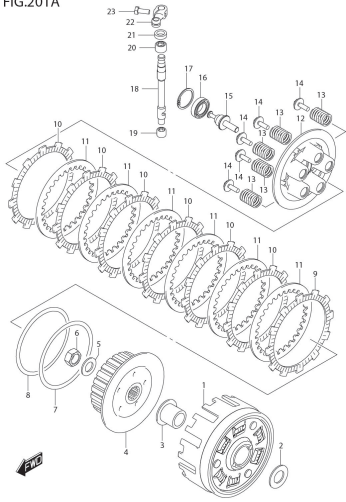
DS250MS\_P74\_172A  
FUEL PUMP

FIG.178A



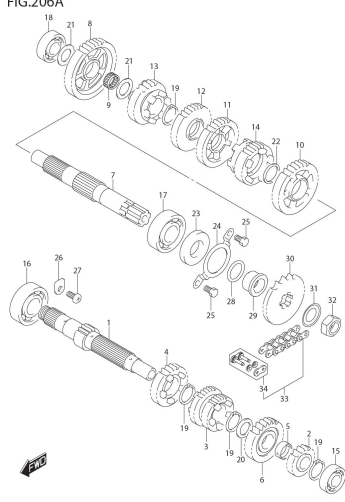
DS250MS\_P74\_178A  
OIL COOLER

FIG.201A



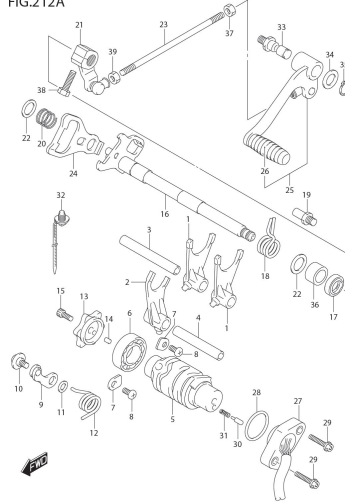
DS250MS\_P74\_201A  
CLUTCH

FIG.206A



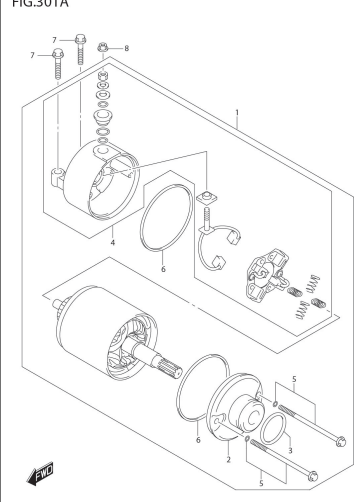
DS250MS\_P74\_206A  
TRANSMISSION

FIG.212A



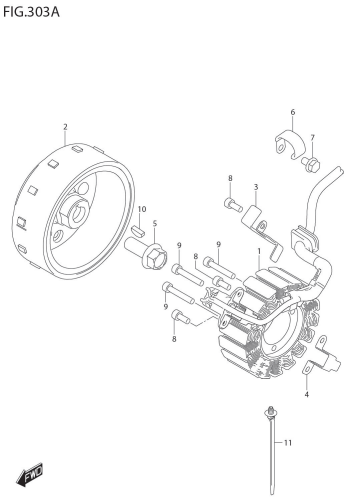
DS250MS\_P74\_212A  
GEAR SHIFTING

FIG.301A



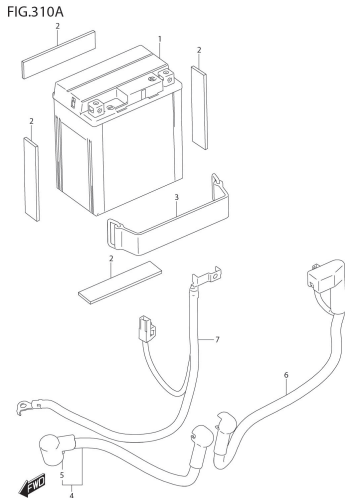
DS250MS\_P74\_301A  
STARTING MOTOR

FIG.303A



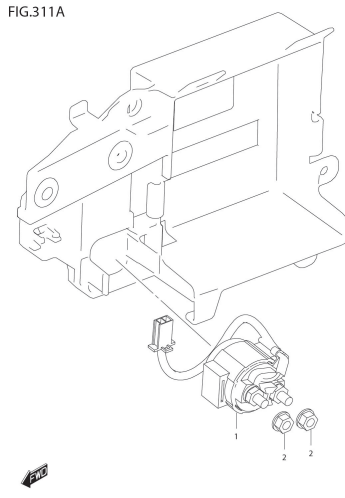
DS250MS\_P74\_303A  
MAGNETO

FIG.310A



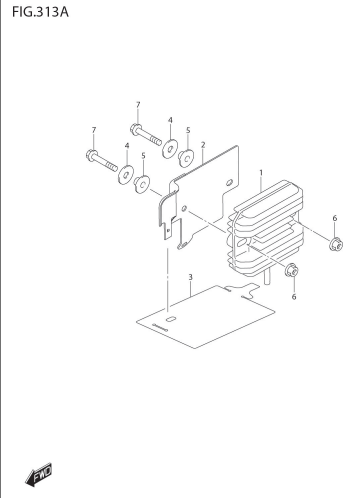
DS250MS\_P74\_310A  
BATTERY

FIG.311A



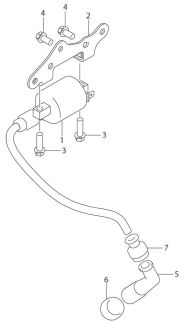
DS250MS\_P74\_311A  
STARTOR RELAY

FIG.313A



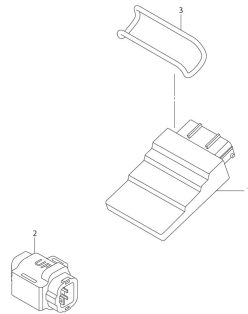
DS250MS\_P74\_313A  
RECTIFIER

FIG.316A



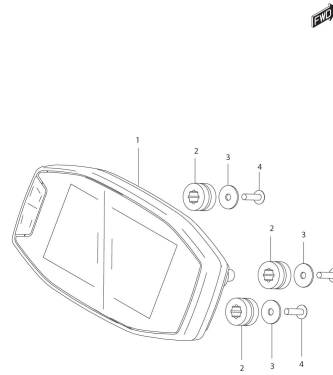
DS250MS\_P74\_316A  
IGNITION COIL

FIG.322A



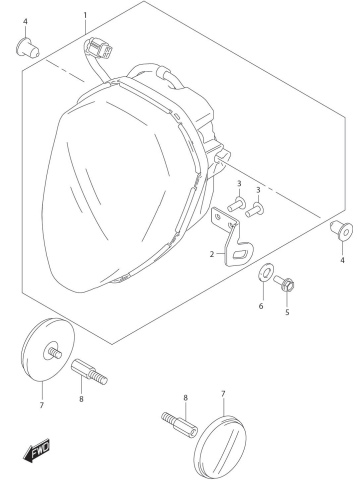
DS250MS\_P74\_322A  
ELECTRIC POWER CONTROL UNIT

FIG.330A



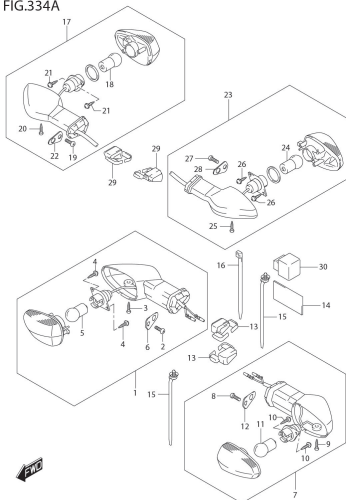
DS250MS\_P74\_330A  
SPEEDOMETER

FIG.333A



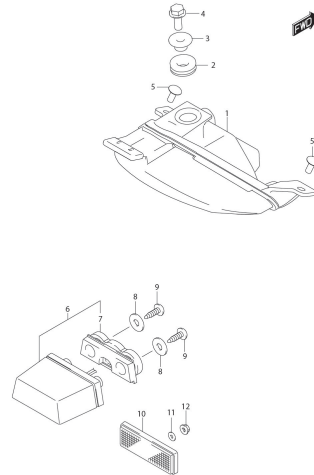
DS250MS\_P74\_333A  
HEADLAMP

FIG.334A



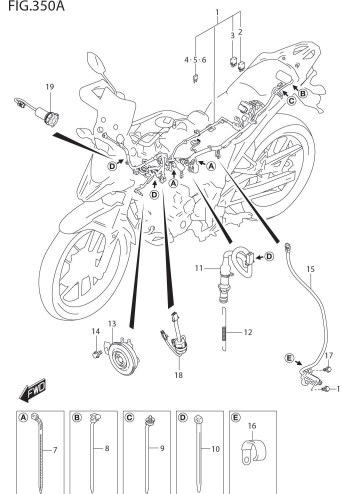
DS250MS\_P74\_334A  
TURN SIGNAL LAMP

FIG.339A



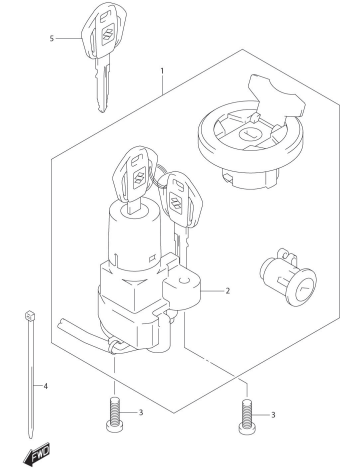
DS250MS\_P74\_339A  
REAR COMBINATION LAMP

FIG.350A



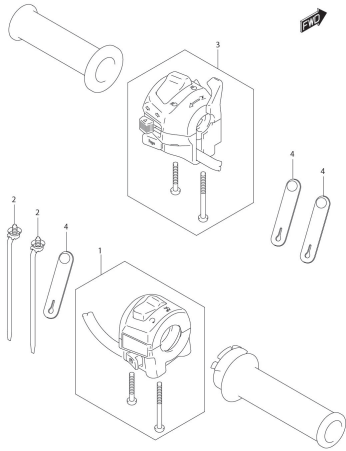
DS250MS\_P74\_350A  
WIRING HARNESS

FIG.352A



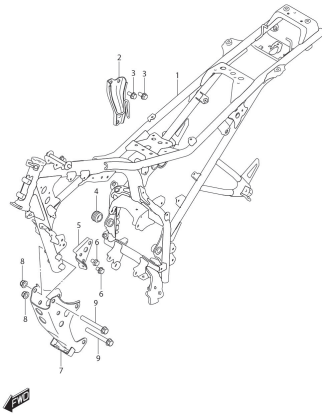
DS250MS\_P74\_352A  
LOCK SET

FIG.355A



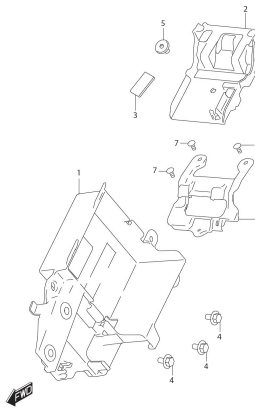
DS250MS\_P74\_355A  
HANDLE SWITCH

FIG.401A



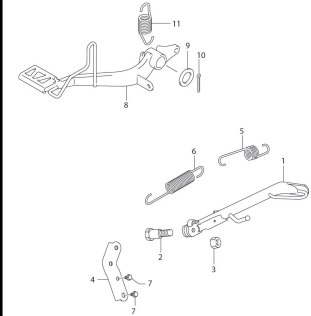
DS250MS\_P74\_401A  
FRAME

FIG.406A



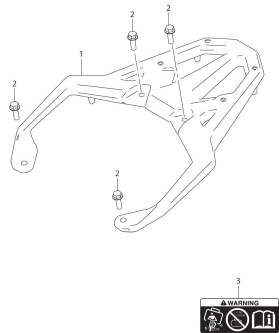
DS250MS\_P74\_406A  
HOLDER

FIG.407A



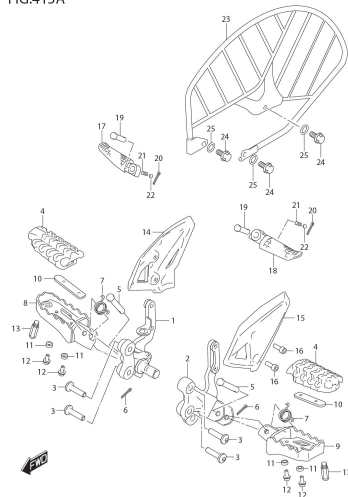
DS250MS\_P74\_407A  
STAND

FIG.412A



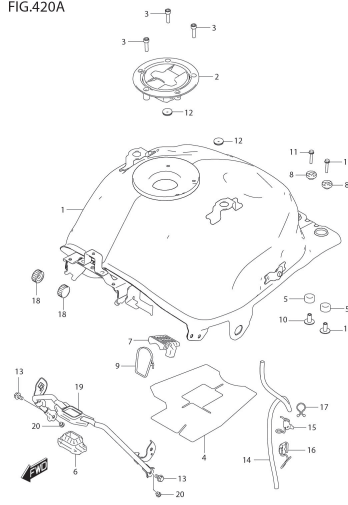
DS250MS\_P74\_412A  
CARRIER

FIG.415A



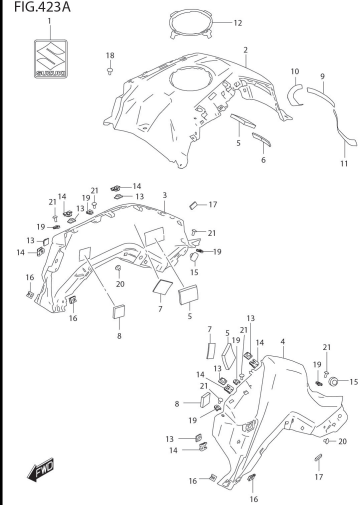
DS250MS\_P74\_415A  
FOOTREST

FIG.420A



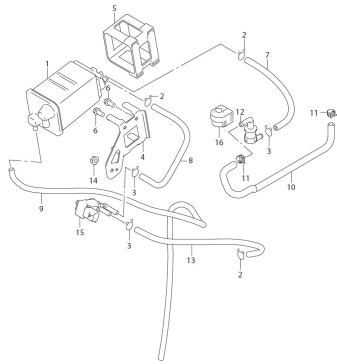
DS250MS\_P74\_420A  
FUEL TANK

FIG.423A



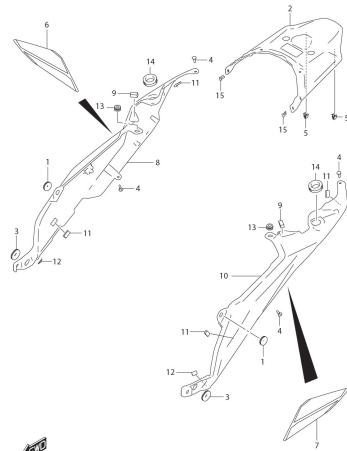
DS250MS\_P74\_423A  
FUEL TANK COVER

FIG.427A



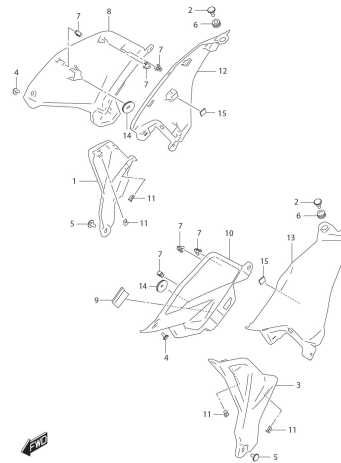
DS250MS\_P74\_427A  
EVAP SYSTEM

FIG.445A



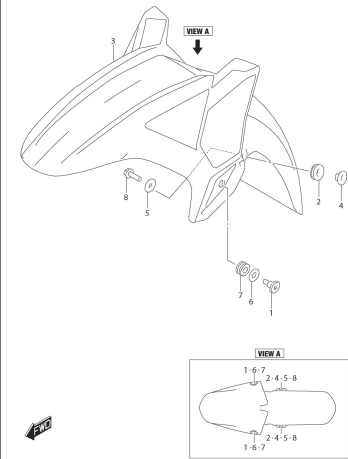
DS250MS\_P74\_445A  
FRAME LOWER COVER

FIG.446A



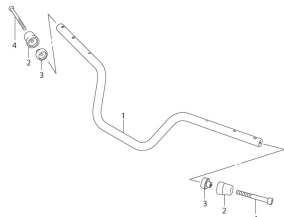
DS250MS\_P74\_446A  
FRAME LOWER COVER

FIG.460A



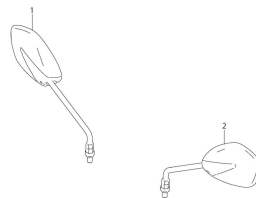
DS250MS\_P74\_460A  
FRONT FENDER

FIG.462A



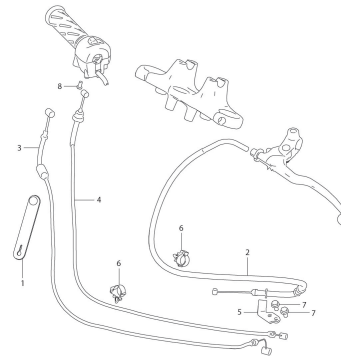
DS250MS\_P74\_462A  
HANDLEBAR

FIG.464A



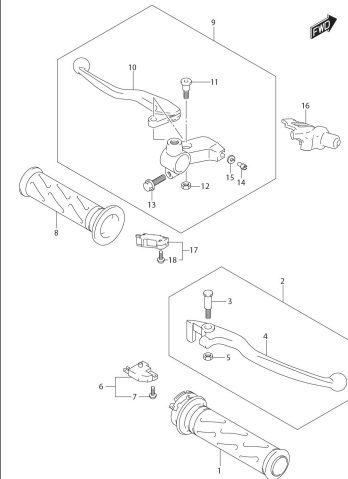
DS250MS\_P74\_464A  
REAR VIEW MIRROR

FIG.466A



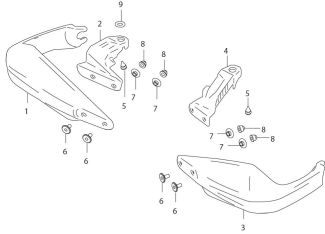
DS250MS\_P74\_466A  
CONTROL CABLE

FIG.467A



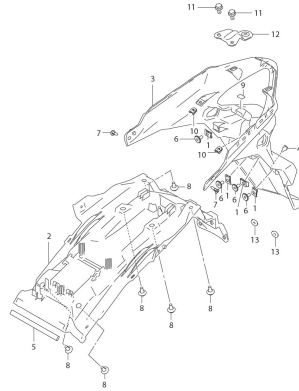
DS250MS\_P74\_467A  
HANDLE LEVER

FIG.472A



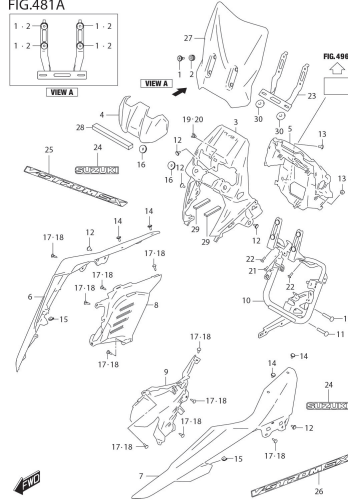
DS250MS\_P74\_472A  
KNUCKLE COVER

FIG.474A



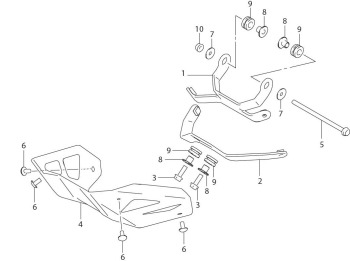
DS250MS\_P74\_474A  
REAR FENDER

FIG.481A



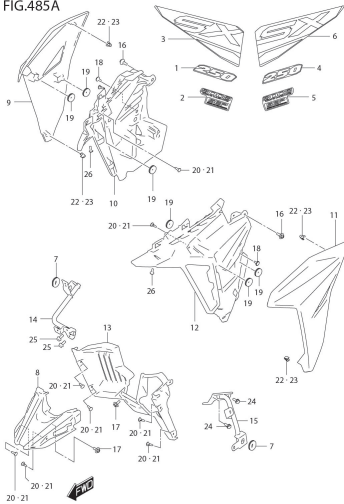
DS250MS\_P74\_481A  
COWLING BODY

FIG.483A



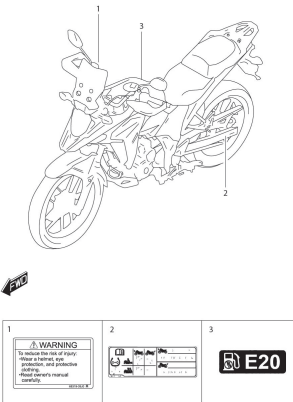
DS250MS\_P74\_483A  
UNDER COWLING

FIG.485A



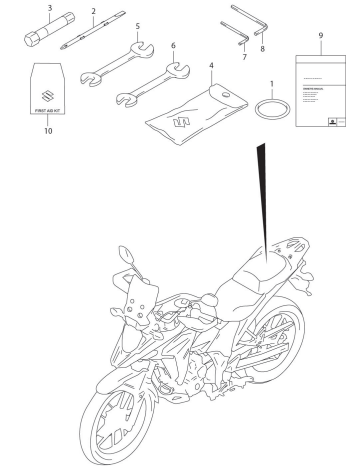
DS250MS\_P74\_485A  
SIDE COWLING

FIG.496A



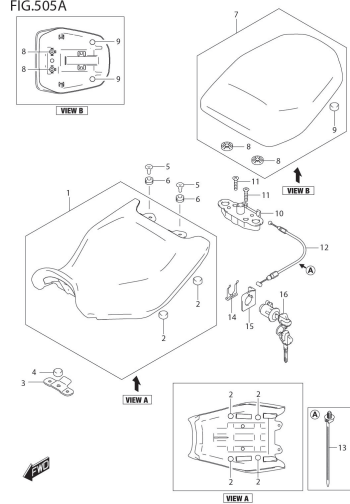
DS250MS\_P74\_496A  
LABEL

FIG.497A



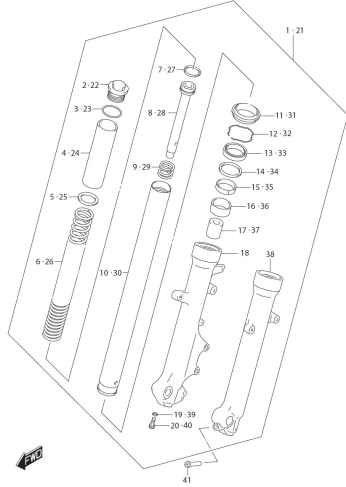
DS250MS\_P74\_497A  
MANUAL/TOOLS

FIG.505A



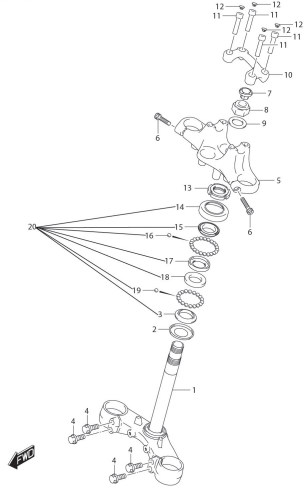
DS250MS\_P74\_505A  
SEAT

FIG.521A



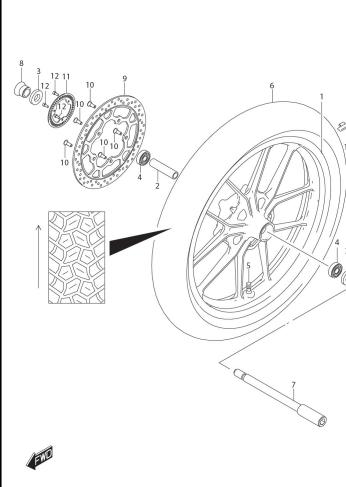
DS250M5\_P74\_521A  
FRONT FORK DAMPER

FIG.524A



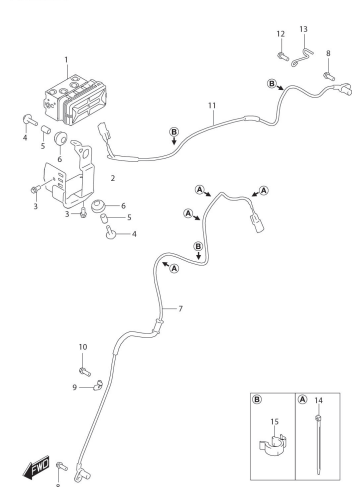
DS250M5\_P74\_524A  
STEERING STEM

FIG.530A



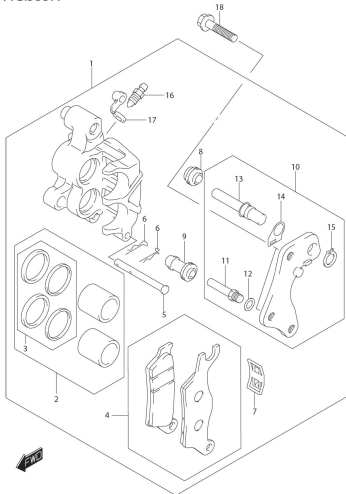
DS250M5\_P74\_530A  
FRONT WHEEL

FIG.533A



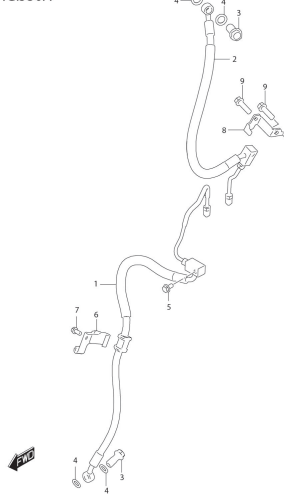
DS250M5\_P74\_533A  
HYDRAULIC UNIT

FIG.535A



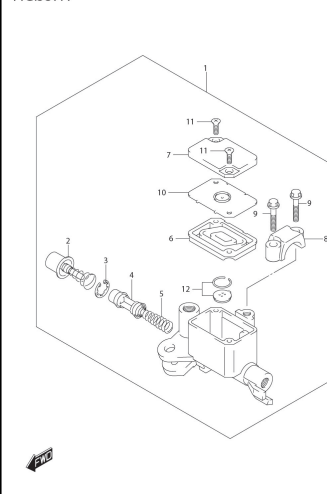
DS250M5\_P74\_535A  
FRONT CALIPER

FIG.536A



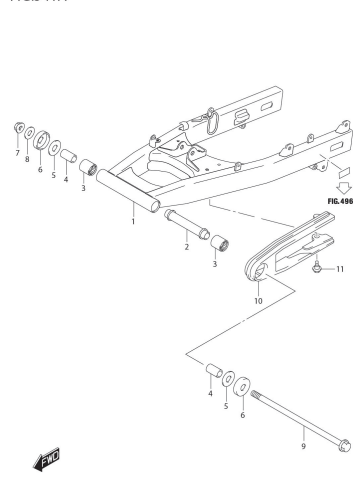
DS250M5\_P74\_536A  
FRONT BRAKE HOSE

FIG.537A



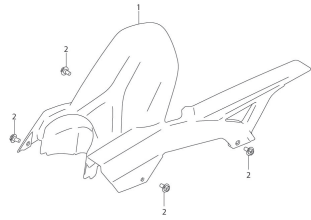
DS250M5\_P74\_537A  
FRONT MASTER CYLINDER

FIG.541A



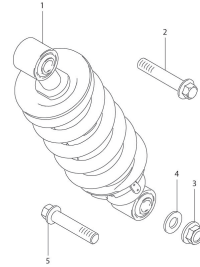
DS250M5\_P74\_541A  
REAR SWINGARM

FIG.542A



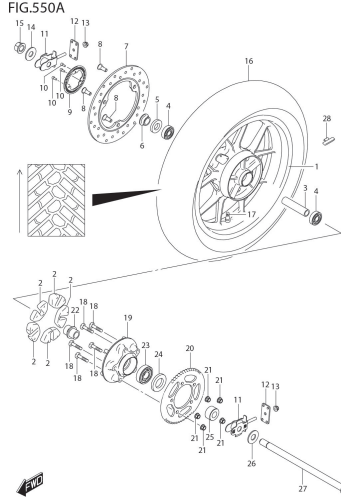
DS250MS\_P74\_542A  
CHAIN CASE

FIG.545A



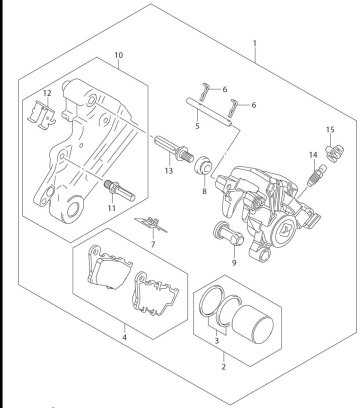
DS250MS\_P74\_545A  
REAR SHOCK ABSORBER

FIG.550A



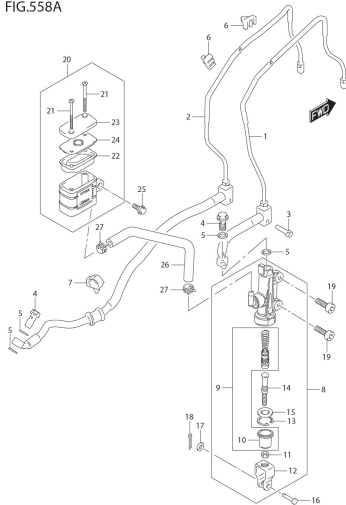
DS250MS\_P74\_550A  
REAR WHEEL

FIG.555A



DS250MS\_P74\_555A  
REAR CALIPER

FIG.558A



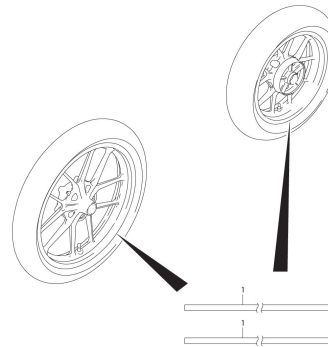
DS250MS\_P74\_558A  
REAR MASTER CYLINDER

FIG.970A



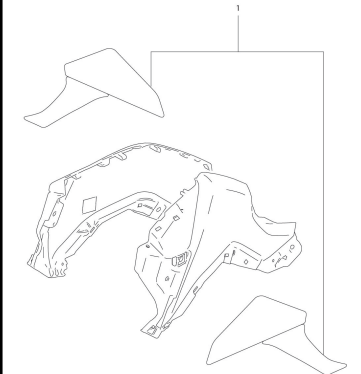
DS250MS\_P74\_970A  
OPTIONAL

FIG.970B



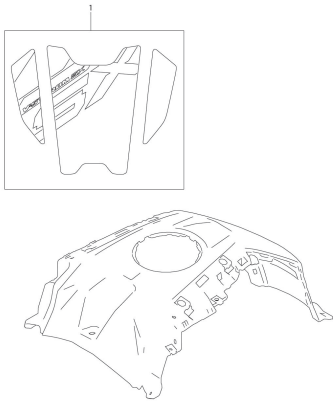
DS250MS\_P74\_970B  
OPTIONAL

FIG.970C



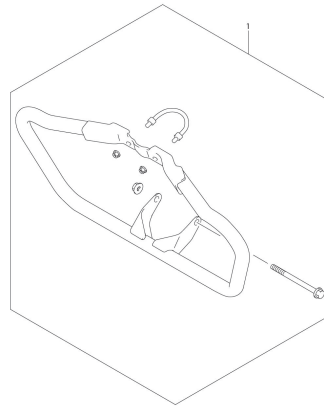
DS250MS\_P74\_970C  
OPTIONAL

FIG.970D



DS250M5\_F74\_970D  
OPTIONAL

FIG.970E



DS250M5\_F74\_970E  
OPTIONAL

FIG.102A

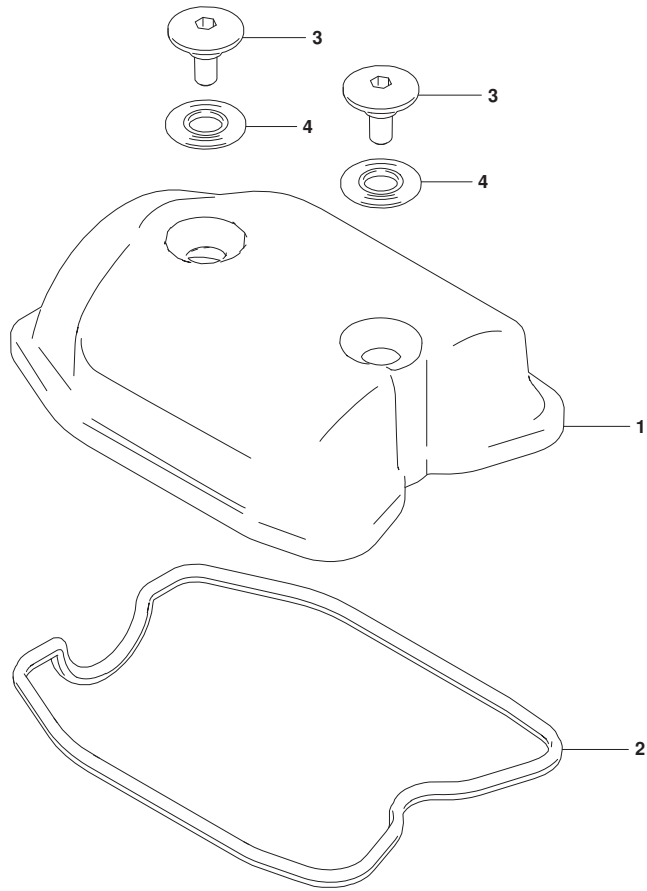


FIG.102A (1-B-2) CYLINDER HEAD COVER

REF NO.	PART NO.	DESCRIPTION	Q'TY	REMARKS
1	11171-41K00-000	COVER, CYLINDER HEAD	1	
2	11173-41K00-000	GASKET, CYL HEAD COVER	1	
3	09106-07027-000	BOLT (L6.5)	2	
4	11191-27E00-000	WASHER, CYL HEAD COVER (10.6X25.5X1.6)	2	



FIG.103A

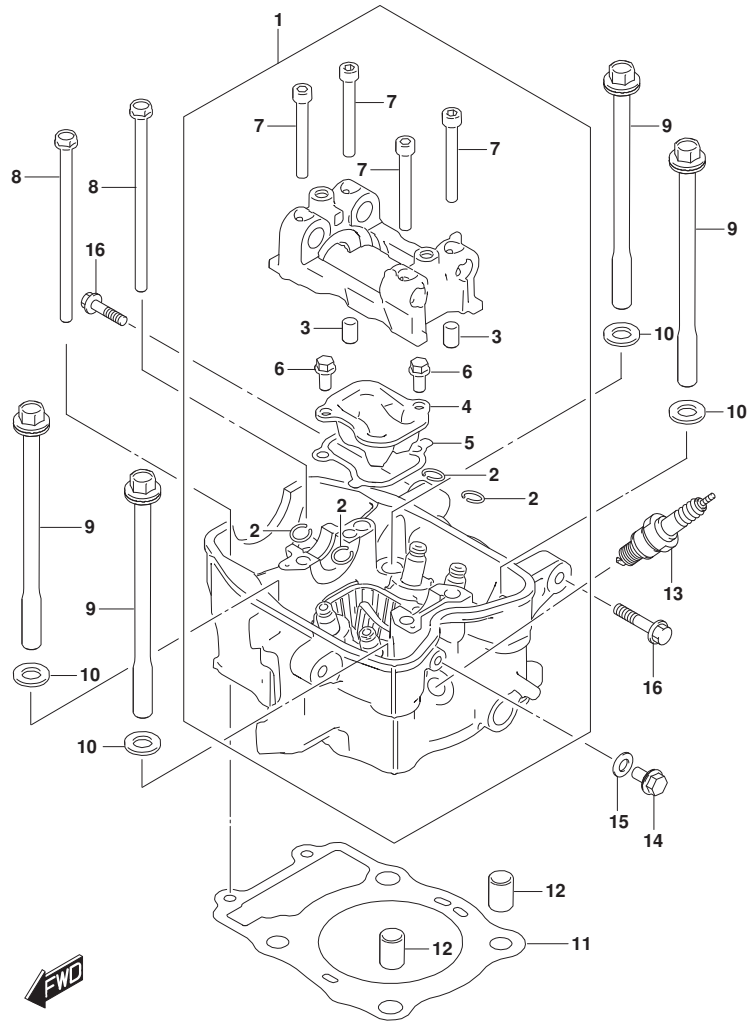


FIG.103A (1-B-3) CYLINDER HEAD

REF NO.	PART NO.	DESCRIPTION	QTY	REMARKS
1	11100-41K00-000	HEAD ASSY, CYLINDER	1	
2	09381-10004-000	.RING (10X85)	4	
3	09206-08008-000	.PIN (6.3X8X12)	2	
4	11181-41K00-000	.LID, OIL JACKET	1	
5	11182-41K00-000	.GASKET, OIL JACKET LID	1	
6	01547-0612A-000	.BOLT	2	
7	07130-0650A-000	.BOLT	4	
8	09103-06545-000	BOLT (6X115)	2	
9	09103-10470-000	BOLT (10X145)	4	
10	09160-10164-000	WASHER (10.5X19X2)	4	
11	11141-41K00-000	GASKET, CYLINDER HEAD	1	
12	04211-13189-000	PIN	2	
13	09482-00646-000	SPARK PLUG (MR8E-9)	1	
14	01550-0612A-000	BOLT	1	
15	09168-06018-000	GASKET (6.2X13X1.2)	1	
16	01550-0820B-000	BOLT	2	

FIG.107A

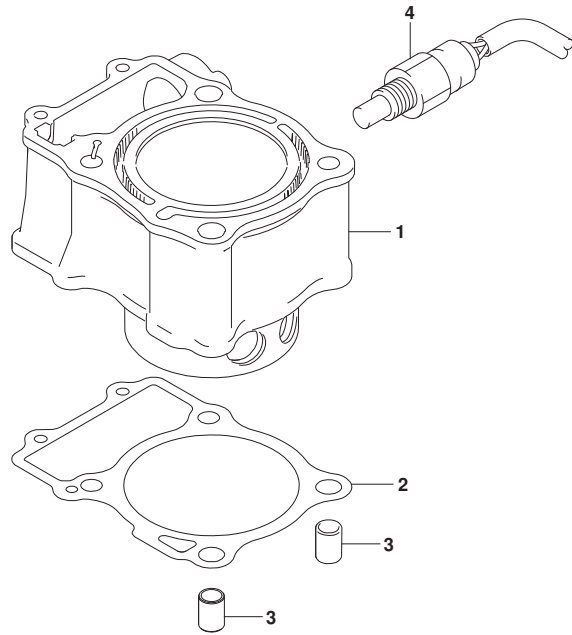


FIG.107A (1-B-4) CYLINDER

REF NO.	PART NO.	DESCRIPTION	Q'TY	REMARKS
1-1	11210-41K00-0E0	CYLINDER	1	RED
1-2	11210-41K00-0F0	CYLINDER	1	YELLOW
1-3	11210-41K00-0G0	CYLINDER	1	BLUE
2	11241-41K00-000	GASKET, CYLINDER	1	
3	04211-13189-000	PIN	2	
4	13640-41K00-000	SENSOR, ENGINE TEMP	1	



FIG.108A

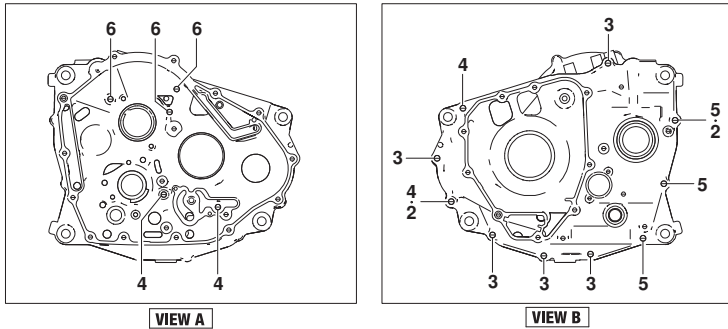


FIG.108A (1-B-5) CRANKCASE

REF NO.	PART NO.	DESCRIPTION	QTY	REMARKS
1	11300-41881-000	CRANKCASE SET	1	
2	04211-09149-000	.PIN	2	
3	01547-0645A-000	.BOLT	5	
4	01547-0655A-000	.BOLT	4	
5	01547-0665A-000	.BOLT	3	
6	01547-0680A-000	.BOLT	3	
7	11323-41K00-000	SEPARATOR, CRANKCASE OIL	1	
8	01547-0612A-000	BOLT	4	
9	11390-41K00-000	JET, PISTON COOLING	1	
10	01547-0612A-000	BOLT	1	
11	01547-0612A-000	BOLT	1	
12	09168-06004-000	GASKET (6.2X11X1.2)	1	
13	09247-12106-000	PLUG (12X20)	1	OIL DRAIN
14	09168-12L02-000	GASKET (12.27X16.97X3.56)	1	
15	09103-10077-000	BOLT (10X140)	2	
16	09103-10709-000	BOLT (10X85)	2	
17	08319-3110B-000	NUT	4	

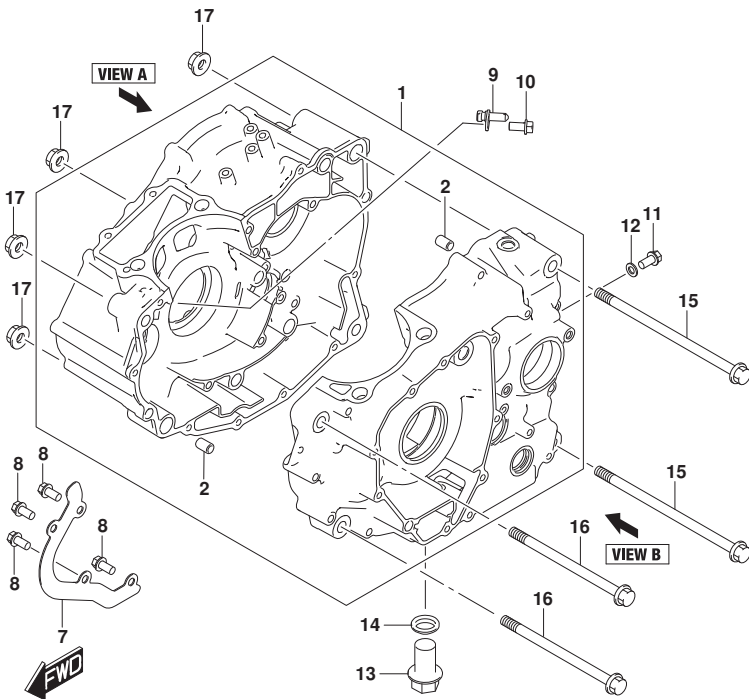


FIG.112A

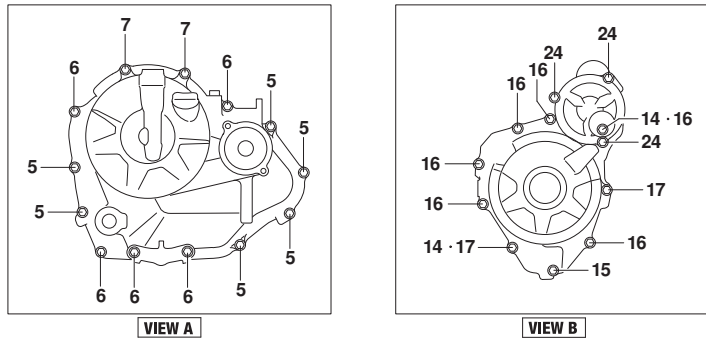


FIG.112A (1-B-6) CRANKCASE COVER

REF NO.	PART NO.	DESCRIPTION	Q'TY	REMARKS
1	11340-41K00-000	COVER, CLUTCH	1	
2	11971-45010-000	.LENS, OIL LEVEL CHECK	1	
3	11482-41K00-000	GASKET, CLUTCH COVER	1	
4	04211-09149-000	PIN	2	
5	01547-0625A-000	BOLT	6	
6	01547-0635A-000	BOLT	5	
7	01547-0645A-000	BOLT	2	
8	01550-0812B-000	BOLT	1	
9	09168-08015-000	GASKET (8.2X14X1.6)	1	
10	11971-30H00-000	PLUG, OIL FILLER	1	
11	09280-17003-000	O RING (D:3.1,ID:16.8)	1	
12	11351-41K00-000	COVER, MAGNETO	1	
13	11483-41K00-000	GASKET, MAGNETO COVER	1	
14	04211-09149-000	PIN	2	
15	01547-0625A-000	BOLT	1	
16	01547-0635A-000	BOLT	6	
17	01547-0645A-000	BOLT	2	
18	09259-26035-000	PLUG	1	
19	09280-22008-000	O RING (D:3.1,ID:22.7)	1	
20	09247-14054-000	PLUG (14X12)	1	
21	09168-14002-000	GASKET (13.8X18.8X4.8)	1	
22	11352-41K00-000	COVER, STARTER IDLE GEAR	1	
23	11353-41K00-000	O RING	1	
24	01547-0616A-000	BOLT	3	
25	11360-41K00-000	COVER, ENG SPROCKET	1	
26	01547-0625A-000	BOLT	2	

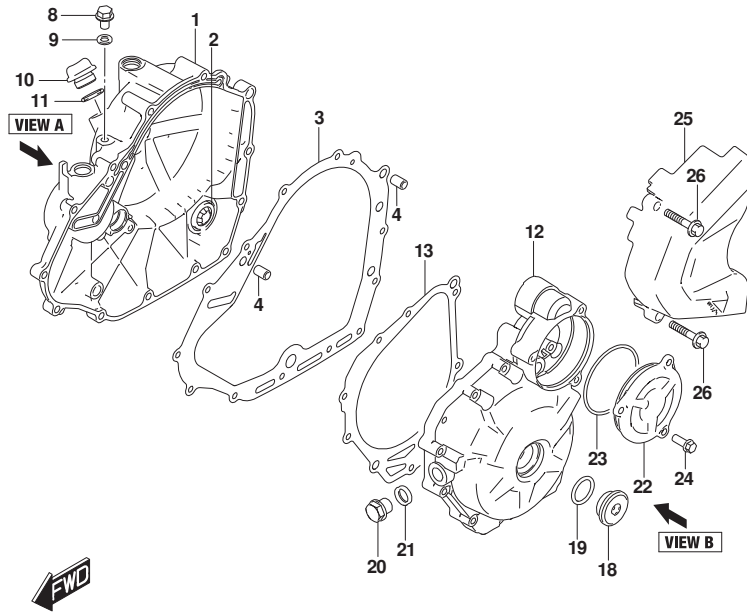


FIG.120A

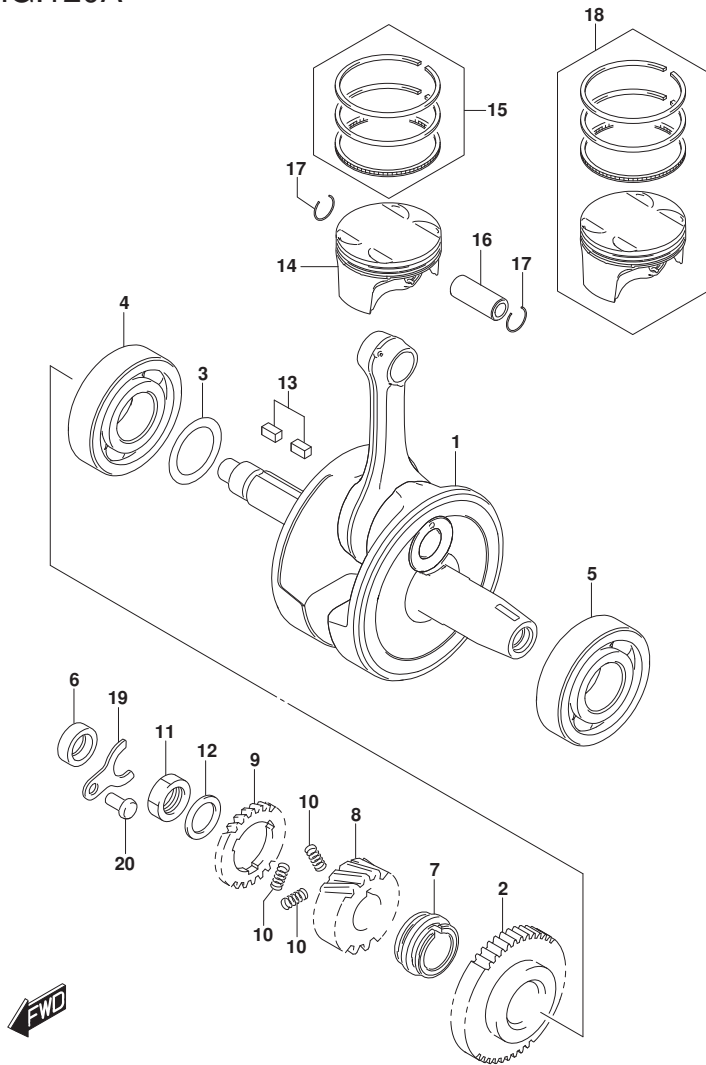


FIG.120A (1-B-7) CRANKSHAFT

REF NO.	PART NO.	DESCRIPTION	QTY	REMARKS
1	12200-41K00-000	CRANKSHAFT ASSY	1	
2	12661-41K00-000	GEAR, CRANK BALANCER DRIVE (NT:40)	1	
3-1	09181-28187-000	SHIM (T:0.6)	1	
3-2	09181-28021-000	SHIM (T:0.65)	1	
3-3	09181-28188-000	SHIM (T:0.7)	1	
3-4	09181-28189-000	SHIM (T:0.75)	1	
3-5	09181-28190-000	SHIM (T:0.8)	1	
3-6	09181-28191-000	SHIM (T:0.85)	1	
3-7	09181-28192-000	SHIM (T:0.90)	1	
3-8	09181-28193-000	SHIM (T:0.95)	1	
3-9	09181-28194-000	SHIM (T:1.00)	1	
3-10	09181-28197-000	SHIM (T:1.05)	1	
3-11	09181-28200-000	SHIM (T:1.10)	1	
3-12	09181-28202-000	SHIM (T:1.15)	1	
3-13	09181-28204-000	SHIM (T:1.20)	1	
3-14	09181-28207-000	SHIM (T:1.25)	1	
3-15	09181-28209-000	SHIM (T:1.30)	1	
4	09262-28060-000	BEARING (28X68X18)	1	
5	09262-28061-000	BEARING (28X68X18)	1	
6	09282-12013-000	OIL SEAL (12X21X7)	1	
7	12731-41K00-000	SPROCKET, CAM CHAIN DRIVE (NT:17)	1	
8	21111-41KA0-000	GEAR, PRIMARY DRIVE (NT:23)	1	
9	21112-41KA0-000	GEAR, PRIMARY DRIVE SCISSORS (NT:23)	1	
10	21114-41K00-000	SPRING, PRI DRIVE GEAR	3	
11	09140-18004-000	NUT (M18)	1	
12	09160-18044-000	WASHER (18X32X2)	1	
13	09421-05011-000	KEY	2	
14-1	12111-41K10-0E0	PISTON	1	RED
14-2	12111-41K10-0F0	PISTON	1	YELLOW
14-3	12111-41K10-0G0	PISTON	1	BLUE
15	12140-41K20-000	RING SET, PISTON	1	
16	12151-41K00-000	PIN, PISTON	1	
17	09381-17005-000	CIRCLIP (OD:19.8)	2	
18	12100-41K10-050	PISTON SET (OS:0.5)	1	

FIG.120A

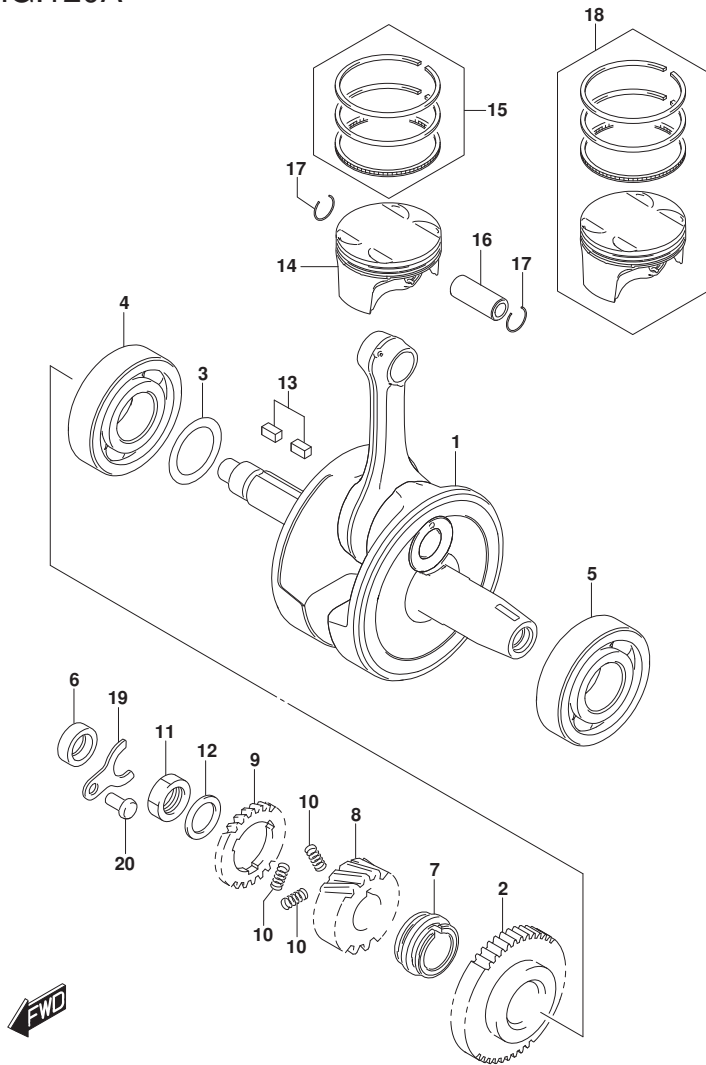


FIG.120A (1-B-8) CRANKSHAFT

REF NO.	PART NO.	DESCRIPTION	Q'TY	REMARKS
19	12541-41K10-000	RETAINER, CRANKSHAFT OIL SEAL RH	1	
20	01547-0612A-000	BOLT	1	

FIG.122A

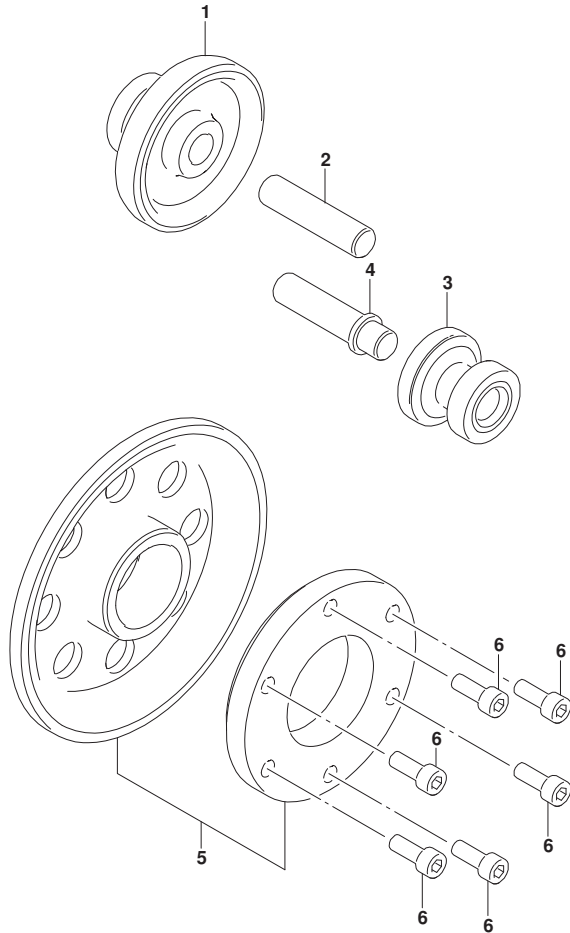


FIG.122A (1-B-9) STARTER CLUTCH

REF NO.	PART NO.	DESCRIPTION	QTY	REMARKS
1	12611-41K00-000	GEAR, STARTER IDLE NO.1 (NT:13/65)	1	
2	09202-12003-000	PIN (12X50.5)	1	
3	12612-41K00-000	GEAR, STARTER IDLE NO.2 (NT:12/16)	1	
4	12616-41K00-000	SHAFT, STARTER IDLE GEAR NO.2	1	
5	12600-41870-000	CLUTCH SET, STARTER (NT:61)	1	
6	07130-0616A-000	BOLT	6	

FIG.124A

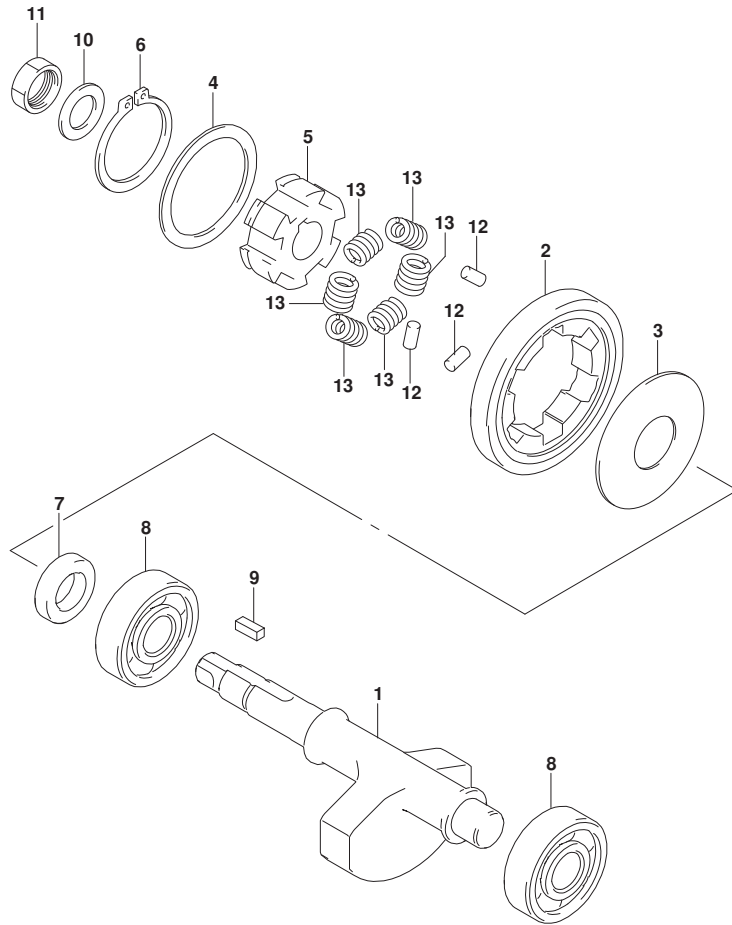


FIG.124A (1-B-10) CRANK BALANCER

REF NO.	PART NO.	DESCRIPTION	Q'TY	REMARKS
1	12651-41K00-000	BALANCER, CRANK	1	
2	12666-41K00-000	GEAR, CRK BAL DRIVEN (NT:44)	1	
3	12662-41K00-000	WASHER, CRK BAL DRIVEN GR NO.1	1	
4	12662-41K10-000	WASHER, CRK BAL DRIVEN GR NO.2	1	
5	12669-41K00-000	RACE, CRK BAL DRIVEN GEAR INNER	1	
6	08331-31409-000	CIRCLIP	1	
7	12668-34J00-000	SPACER, CRANK BAL DRN GEAR (NT:19)	1	
8	09262-15060-000	BEARING (15X42X13)	2	
9	09421-05011-000	KEY	1	
10	08211-14242-000	WASHER	1	
11	09140-14022-000	NUT (NT:24)	1	
12	09202-04017-000	PIN (4.5X9.5)	3	
13	12663-41K00-000	SPRING, CRANK BAL DRIVEN GEAR	6	

FIG.126A

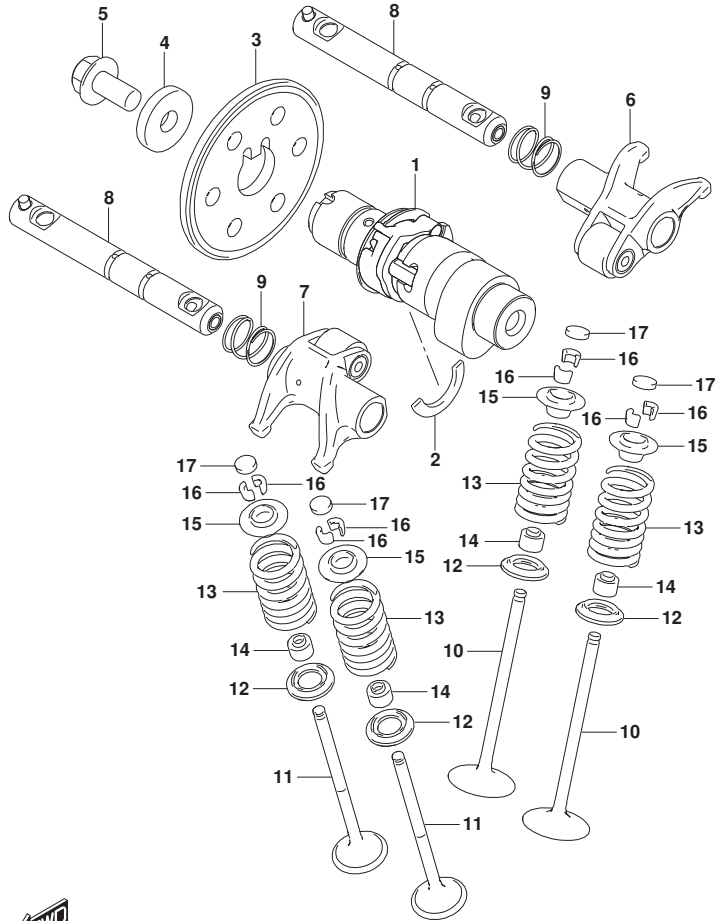


FIG.126A (1-B-11) CAMSHAFT/VALVE

REF NO.	PART NO.	DESCRIPTION	QTY	REMARKS
1	12710-41K10-000	CAMSHAFT ASSY	1	
2	09390-22002-000	C-RING	1	
3	12741-41K00-000	SPROCKET, CAMSHAFT (NT:34)	1	
4	09160-08176-000	WASHER (8X23X4)	1	
5	12742-41K00-000	BOLT, SPROCKET	1	
6	12841-41K00-000	ARM, VALVE ROCKER INTAKE	1	
7	12851-41K00-000	ARM, VALVE ROCKER EXHAUST	1	
8	12860-41K00-000	SHAFT, VALVE ROCKER ARM	2	
9	12867-41K00-000	SPRING, VALVE ROCKER ARM	2	
10	12911-41K00-000	VALVE, INTAKE	2	
11	12912-41K00-000	VALVE, EXHAUST	2	
12	12933-09G00-000	SEAT, VALVE SPRING	4	
13	12921-41K00-000	SPRING, VALVE	4	
14	09289-05019-000	OIL SEAL (4X10X8)	4	
15	12931-41K00-000	RETAINER, VALVE SPRING	4	
16	12932-09G10-000	COTTER VALVE (NT:23)	8	
17-1	12892-35G00-150	SHIM, TAPPET (T:1.50)	4	
17-2	12892-35G00-152	SHIM, TAPPET (T:1.52)	4	
17-3	12892-35G00-155	SHIM, TAPPET (T:1.55)	4	
17-4	12892-35G00-158	SHIM, TAPPET (T:1.58)	4	
17-5	12892-35G00-160	SHIM, TAPPET (T:1.60)	4	
17-6	12892-35G00-162	SHIM, TAPPET (T:1.62)	4	
17-7	12892-35G00-165	SHIM, TAPPET (T:1.65)	4	
17-8	12892-35G00-168	SHIM, TAPPET (T:1.68)	4	
17-9	12892-35G00-170	SHIM, TAPPET (T:1.70)	4	
17-10	12892-35G00-172	SHIM, TAPPET (T:1.72)	4	
17-11	12892-35G00-175	SHIM, TAPPET (T:1.75)	4	
17-12	12892-35G00-178	SHIM, TAPPET (T:1.78)	4	
17-13	12892-35G00-180	SHIM, TAPPET (T:1.80)	4	
17-14	12892-35G00-182	SHIM, TAPPET (T:1.82)	4	
17-15	12892-35G00-185	SHIM, TAPPET (T:1.85)	4	
17-16	12892-35G00-188	SHIM, TAPPET (T:1.88)	4	
17-17	12892-35G00-190	SHIM, TAPPET (T:1.90)	4	
17-18	12892-35G00-192	SHIM, TAPPET (T:1.92)	4	
17-19	12892-35G00-195	SHIM, TAPPET (T:1.95)	4	
17-20	12892-35G00-198	SHIM, TAPPET (T:1.98)	4	

FIG.126A

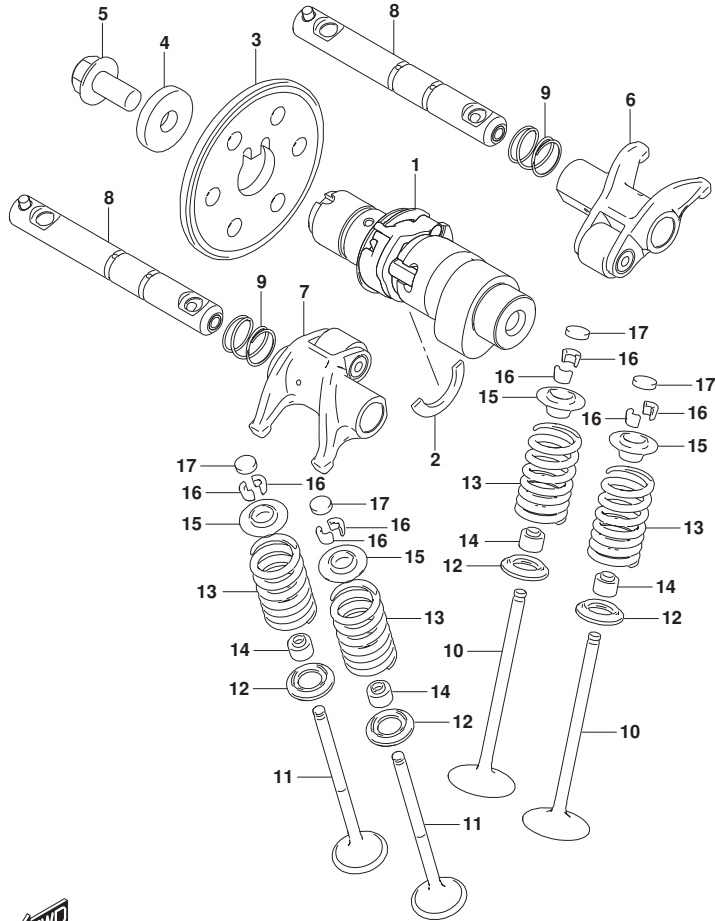


FIG.126A (1-B-12) CAMSHAFT/VALVE

REF NO.	PART NO.	DESCRIPTION	QTY	REMARKS
17-21	12892-35G00-200	SHIM, TAPPET (T:2.00)	4	
17-22	12892-35G00-202	SHIM, TAPPET (T:2.02)	4	
17-23	12892-35G00-205	SHIM, TAPPET (T:2.05)	4	
17-24	12892-35G00-208	SHIM, TAPPET (T:2.08)	4	
17-25	12892-35G00-210	SHIM, TAPPET (T:2.10)	4	
17-26	12892-35G00-212	SHIM, TAPPET (T:2.12)	4	
17-27	12892-35G00-215	SHIM, TAPPET (T:2.15)	4	
17-28	12892-35G00-218	SHIM, TAPPET (T:2.18)	4	
17-29	12892-35G00-220	SHIM, TAPPET (T:2.20)	4	
17-30	12892-35G00-222	SHIM, TAPPET (T:2.22)	4	
17-31	12892-35G00-225	SHIM, TAPPET (T:2.25)	4	
17-32	12892-35G00-228	SHIM, TAPPET (T:2.28)	4	
17-33	12892-41C00-230	SHIM, TAPPET (T:2.30)	4	
17-34	12892-41C00-232	SHIM, TAPPET (T:2.32)	4	
17-35	12892-41C00-235	SHIM, TAPPET (T:2.35)	4	
17-36	12892-41C00-238	SHIM, TAPPET (T:2.38)	4	
17-37	12892-41C00-240	SHIM, TAPPET (T:2.40)	4	
17-38	12892-41C00-242	SHIM, TAPPET (T:2.42)	4	
17-39	12892-41C00-245	SHIM, TAPPET (T:2.45)	4	
17-40	12892-41C00-248	SHIM, TAPPET (T:2.48)	4	
17-41	12892-41C00-250	SHIM, TAPPET (T:2.50)	4	
17-42	12892-41C00-252	SHIM, TAPPET (T:2.52)	4	
17-43	12892-41C00-255	SHIM, TAPPET (T:2.55)	4	
17-44	12892-41C00-258	SHIM, TAPPET (T:2.58)	4	
17-45	12892-41C00-260	SHIM, TAPPET (T:2.60)	4	
17-46	12892-41C00-262	SHIM, TAPPET (T:2.62)	4	
17-47	12892-41C00-265	SHIM, TAPPET (T:2.65)	4	
17-48	12892-41C00-268	SHIM, TAPPET (T:2.68)	4	
17-49	12892-41C00-270	SHIM, TAPPET (T:2.70)	4	
17-50	12892-41C00-272	SHIM, TAPPET (T:2.72)	4	
17-51	12892-41C00-275	SHIM, TAPPET (T:2.75)	4	
17-52	12892-41C00-278	SHIM, TAPPET (T:2.78)	4	
17-53	12892-41C00-280	SHIM, TAPPET (T:2.80)	4	
17-54	12892-41C00-282	SHIM, TAPPET (T:2.82)	4	
17-55	12892-41C00-285	SHIM, TAPPET (T:2.85)	4	
17-56	12892-41C00-288	SHIM, TAPPET (T:2.88)	4	

FIG.126A

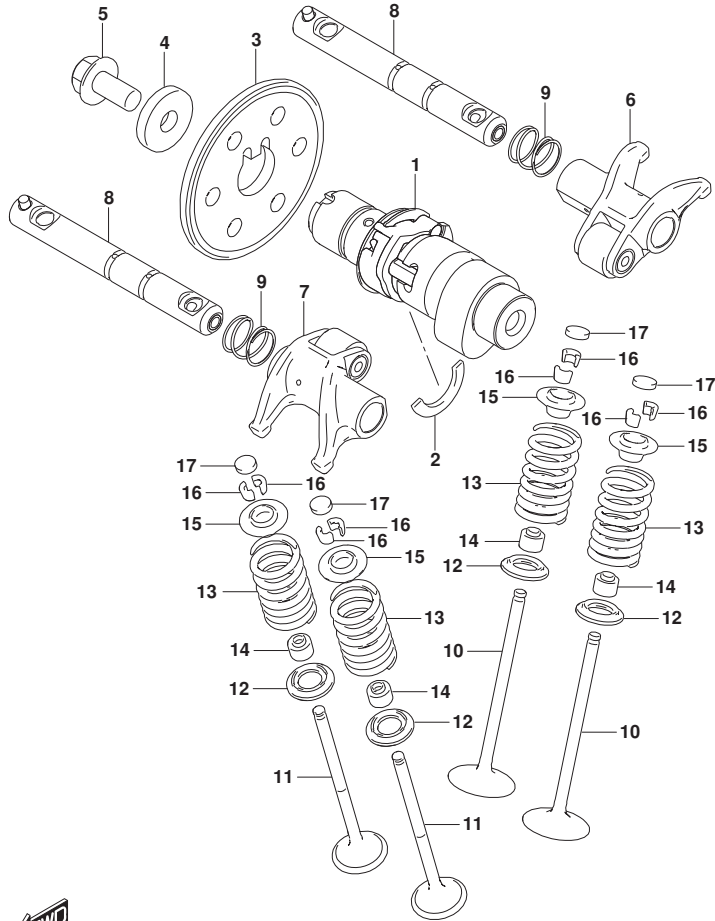


FIG.126A (1-B-13) CAMSHAFT/VALVE

REF NO.	PART NO.	DESCRIPTION	QTY	REMARKS
17-57	12892-41C00-290	SHIM, TAPPET (T:2.90)	4	
17-58	12892-41C00-292	SHIM, TAPPET (T:2.92)	4	
17-59	12892-41C00-295	SHIM, TAPPET (T:2.95)	4	
17-60	12892-41C00-298	SHIM, TAPPET (T:2.98)	4	
17-61	12892-41C00-300	SHIM, TAPPET (T:3.00)	4	
18	12800-35820-000	SHIM SET, TAPPET	1	OPT
19	99000-69471-000	.CASE, TAPPET SHIM	2	OPT

FIG.127A

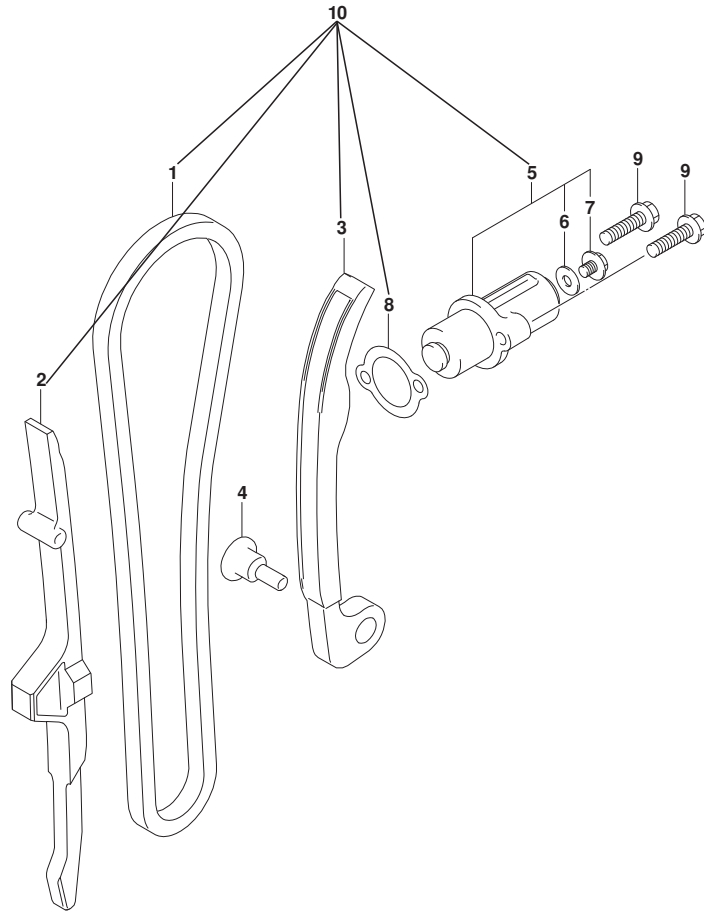


FIG.127A (1-B-14) CAM CHAIN

REF NO.	PART NO.	DESCRIPTION	Q'TY	REMARKS
1	12760-41K00-000	CHAIN, CAMSHAFT DRIVE	1	
2	12771-41K00-000	GUIDE, CAM CHAIN	1	
3	12811-41K00-000	TENSIONER, CAM CHAIN	1	
4	12812-35C00-000	BOLT, CAM CHAIN TENSIONER	1	
5	12830-41K00-000	ADJUSTER ASSY, TENSIONER	1	
6	12835-41K00-000	.WASHER, ADJUSTER END	1	
7	12836-41K00-000	.BOLT, ADJUSTER END	1	
8	12837-24A30-000	GASKET, TENSIONER ADJUSTER	1	
9	01547-0625B-000	BOLT	2	
10	12700-41810-000	ENGINE TIMING KIT	1	

FIG.140A

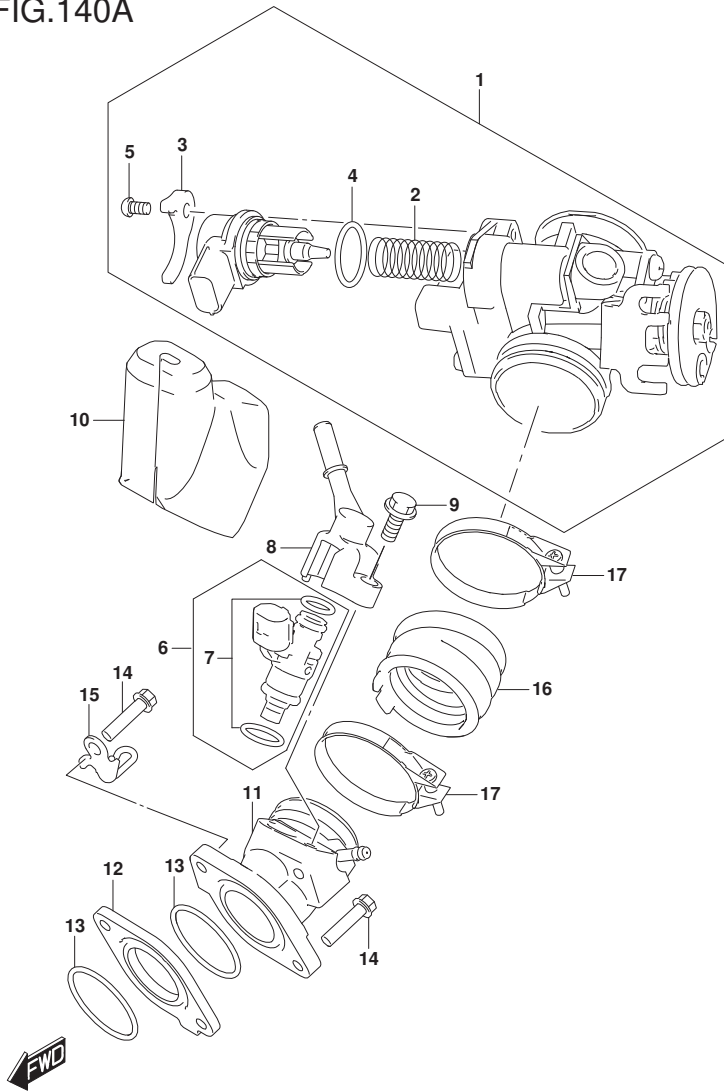


FIG.140A (1-C-2) THROTTLE BODY

REF NO.	PART NO.	DESCRIPTION	Q'TY	REMARKS
1	13400-41K00-000	BODY ASSY, THROTTLE	1	
2	13417-09JA0-000	.SPRING	1	
3	13421-42J00-000	.PLATE	1	
4	13438-09JA0-000	.O RING	1	
5	13602-06128-000	.SCREW	1	
6	15710-41K00-000	INJECTOR, ASSY FUEL	1	
7	15720-41810-000	.O RING & GROMMET SET	1	
8	15830-41K00-000	JOINT, FUEL HOSE	1	
9	01547-0620A-000	BOLT	1	
10	15719-41K00-000	COVER, FUEL INJECTOR	1	
11	13110-41K00-000	PIPE, INTAKE NO.1	1	
12	13128-41K00-000	INSULATOR, INTAKE PIPE	1	
13	09280-40021-000	O RING (D:2.4, ID:39.7)	2	
14	01547-0625A-000	BOLT	2	
15	18570-41K00-000	GUIDE, LEAD WIRE	1	
16	13121-41K00-000	PIPE, INTAKE NO.2	1	
17	13170-41K00-000	CLAMP, INTAKE PIPE	2	

FIG.155A

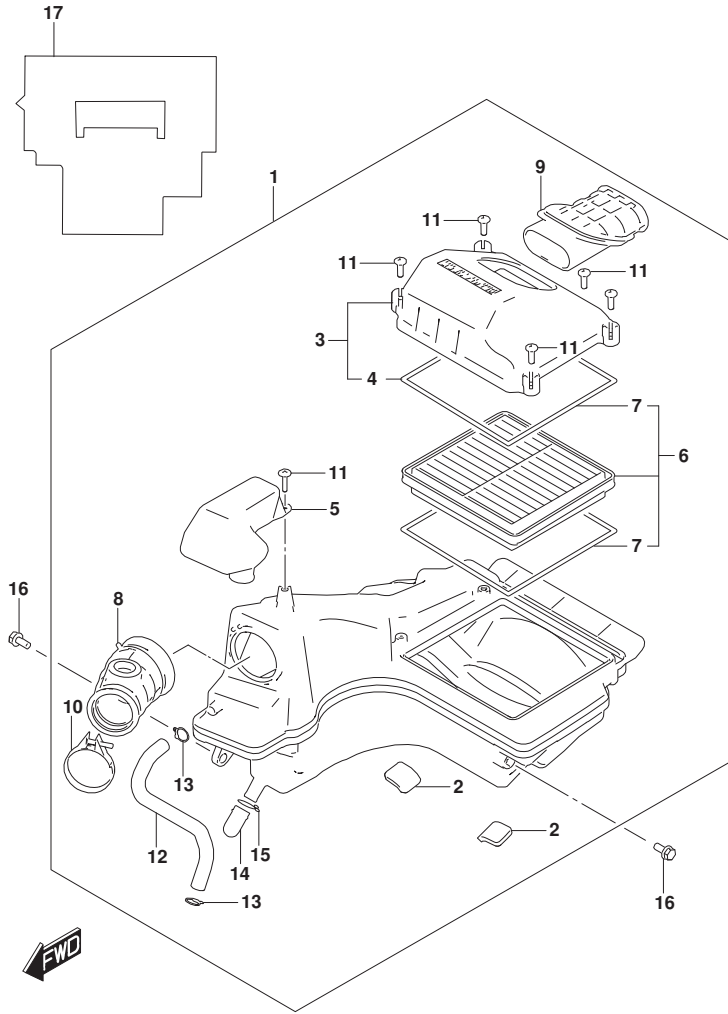


FIG.155A (1-C-3) AIR CLEANER

REF NO.	PART NO.	DESCRIPTION	QTY	REMARKS
1	13700-41K00-000	CLEANER ASSY, AIR	1	
2	13725-41K00-000	.CUSHION, CASE	2	
3	13740-41K00-000	.CAP, AIR CLEANER	1	
4	13746-41K00-000	.GASKET	1	
5	13761-41K00-000	.RESONATOR	1	
6	13700-41810-000	AIR FILTER KIT	1	
7	13746-41K00-000	.GASKET	2	
8	13881-41K00-000	.TUBE, OUTLET	1	
9	13891-41K00-000	.TUBE, INLET	1	
10	13826-41K00-000	.CLAMP	1	
11	03541-0520A-000	.SCREW	6	
12	13853-41K00-000	.TUBE, BREATHER	1	
13	09401-12418-000	.CLIP	2	
14	13859-41B10-000	.PLUG	1	
15	09401-14101-000	.CLIP (ID:14.5)	1	
16	01580-0616A-000	BOLT	2	
17	13841-20L00-000	SHEET, AIR CLEANER INLET	1	

FIG.163A

FIG.163A (1-C-4) MUFFLER

REF NO.	PART NO.	DESCRIPTION	QTY	REMARKS
1	14310-20L20-000	BODY, MUFFLER	1	
2	14181-14D10-000	GASKET, EXHAUST PIPE (NA)	1	
3	07130-0825A-000	BOLT	2	
4	14780-20L00-000	COVER, MUFFLER	1	
5	09139-06194-000	SCREW (6X16)	3	
6	09160-06156-000	WASHER (6.5X18X1.6)	3	
7	09180-06256-000	SPACER (6.5X9X5.7)	3	
8	09320-08504-000	CUSHION (8.4X18X6)	4	
9	14795-10FA0-000	GROMMET	2	
10	01550-0845B-000	BOLT	1	
11	01550-0845B-000	BOLT	1	
12	09103-08558-000	BOLT (8X40)	1	
13	09180-10164-000	SPACER (10.5X30X25.3)	3	
14	09320-14027-000	CUSHION (14X30X24)	3	
15	09160-08174-000	WASHER (8.5X30X1.6)	3	
16	08319-3108A-000	NUT	2	
17	18213-41K01-000	SENSOR, OXYGEN	1	
18	14791-20L00-000	COVER, MUF RR	1	
19	14761-20L00-000	STAY, MUF RR COV	1	
20	03241-0412B-000	SCREW	4	
21	09148-05083-000	NUT	2	

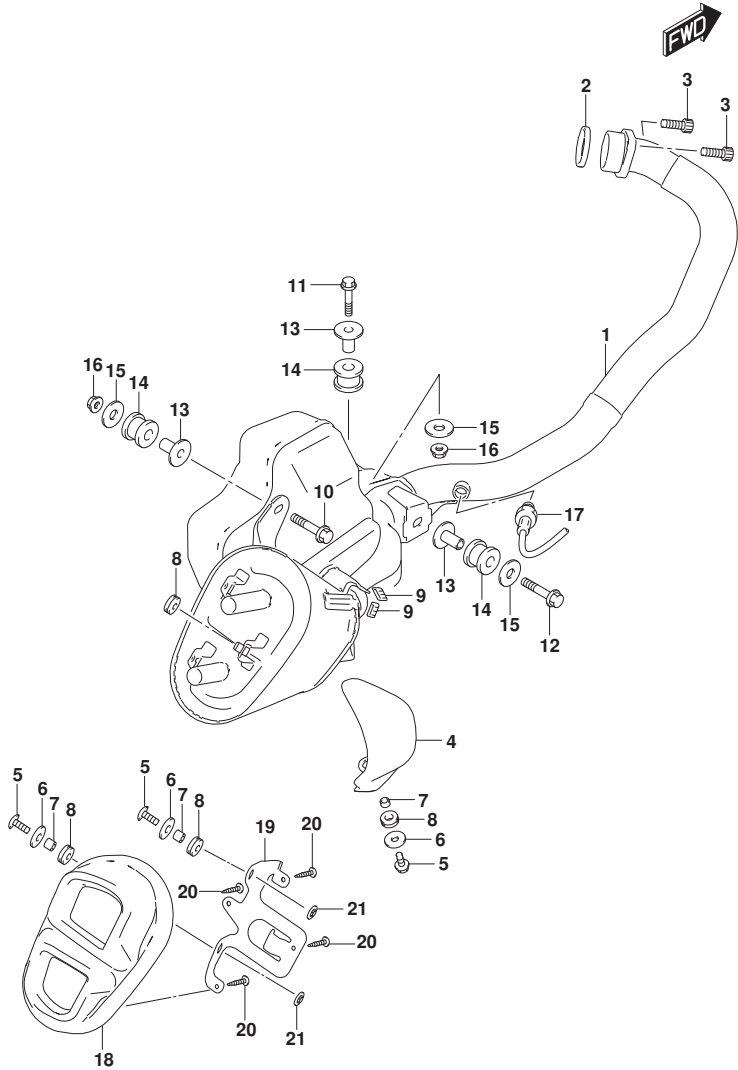


FIG.170A

FIG.170A (1-C-5) OIL PUMP

REF NO.	PART NO.	DESCRIPTION	QTY	REMARKS
1	16400-41K00-000	PUMP ASSY, ENGINE OIL	1	
2	16331-41K11-000	GEAR, OIL PUMP DRIVEN (NT:35)	1	
3	16421-41K00-000	PIN, OIL PUMP DRIVEN GEAR (4X29.8)	1	
4	09181-10158-000	SHIM (10X18X0.5)	2	
5	08331-31109-000	CIRCLIP	1	
6	09280-09013-000	O RING (D:1.9,ID:8.6)	1	
7	04211-09149-000	PIN	1	
8	16413-41K00-000	COVER, OIL PUMP	1	
9	01547-0625A-000	BOLT	1	
10	01547-0645A-000	BOLT	2	
11	16520-09440-000	STRAINER, ENGINE OIL	1	
12	16510-33G10-000	FILTER, ENGINE OIL	1	
13	09280-13010-000	O RING (D:1.9,ID:12.5)	1	
14	16512-23J20-000	CAP, OIL FILTER	1	
15	09280-54001-000	O RING (D:2.4,ID:52.6)	1	
16	16519-09J10-000	SPRING, OIL FILTER	1	
17	01547-0620A-000	BOLT	2	

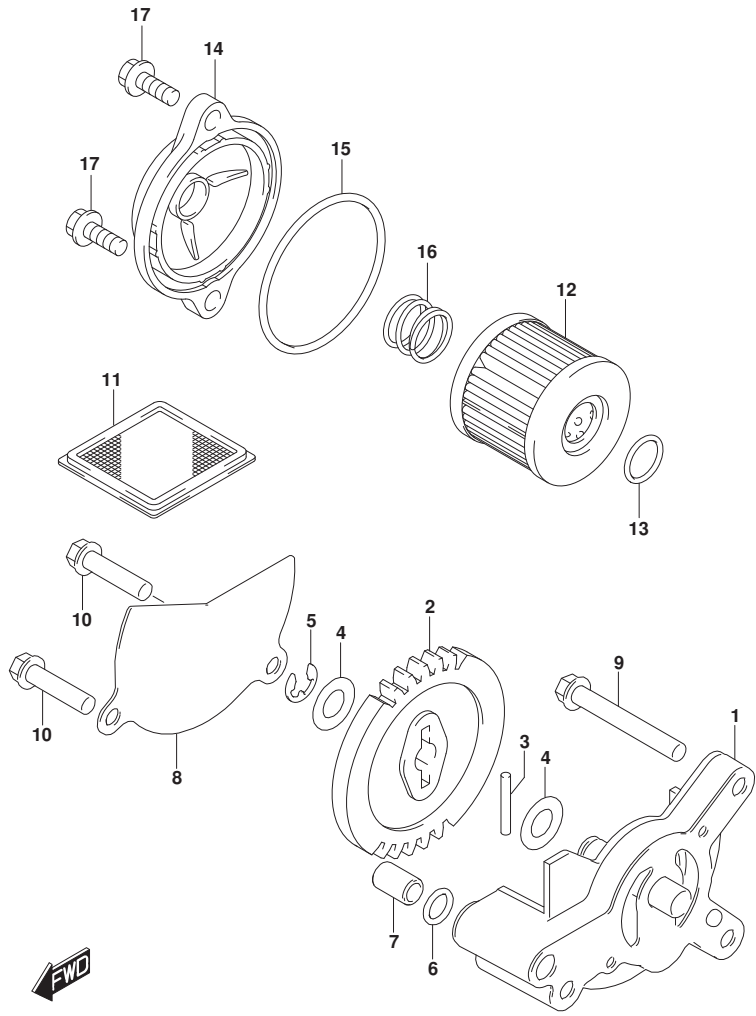


FIG.172A

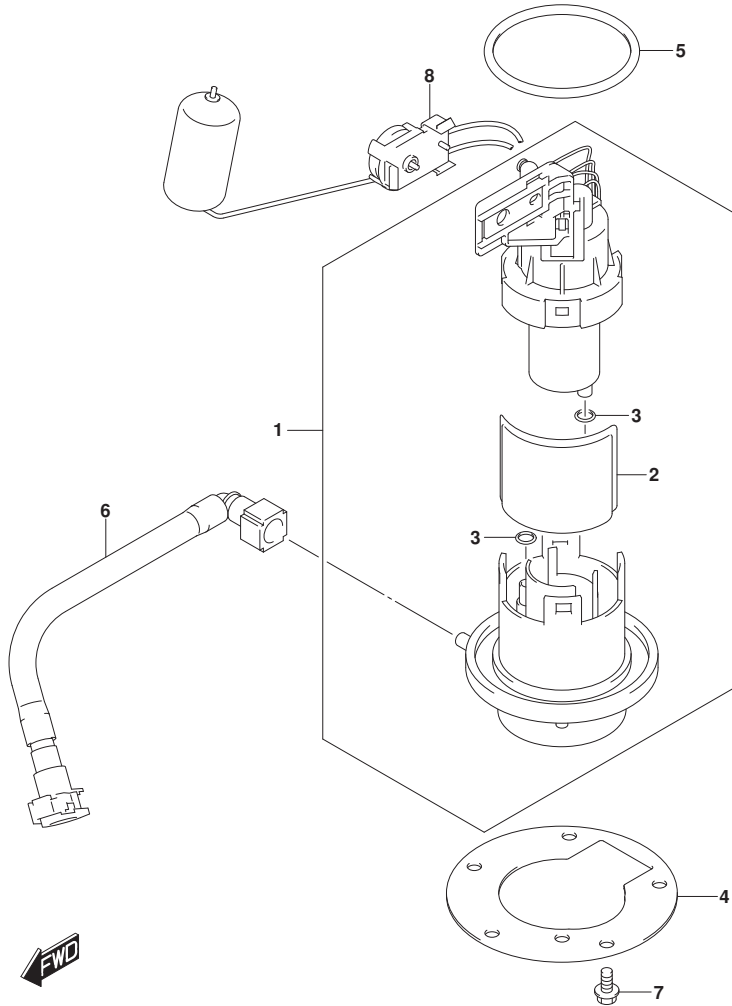


FIG.172A (1-C-6) FUEL PUMP

REF NO.	PART NO.	DESCRIPTION	Q'TY	REMARKS
1	15100-41K00-000	PUMP ASSY, FUEL	1	
2	15420-34JB0-000	.FILTER	1	
3	15424-09JB0-000	.O RING	2	
4	15121-34JB1-000	PLATE, FUEL PUMP	1	
5	15201-34JB0-000	O RING	1	
6	15810-41K00-000	HOSE, FUEL	1	
7	01547-0612A-000	BOLT	5	
8	34810-20L10-000	GAUGE ASSY, FUEL LEVEL SENDER	1	

FIG.178A

FIG.178A (1-C-7) OIL COOLER

REF NO.	PART NO.	DESCRIPTION	QTY	REMARKS
1	16600-41K00-000	COOLER ASSY, OIL	1	
2	17802-41K00-000	.NUT	3	
3	16800-41K00-000	FAN ASSY, OIL COOLER	1	
4	09116-06111-000	BOLT (6X20)	2	
5	09180-06310-000	SPACER (6.5X10X10)	2	
6	09320-10015-000	CUSHION (10X20X10)	2	
7	16460-41K00-000	HOSE, OIL COOLER INLET	1	
8	16470-41K00-000	HOSE, OIL COOLER OUTLET	1	
9	09168-16002-000	GASKET (16X22X2)	8	
10	09360-14016-000	BOLT	1	
11	09360-16002-000	UNION (16X32)	3	
12	01550-0612A-000	BOLT	3	
13	16650-20L00-000	GUARD, OIL COOLER	1	

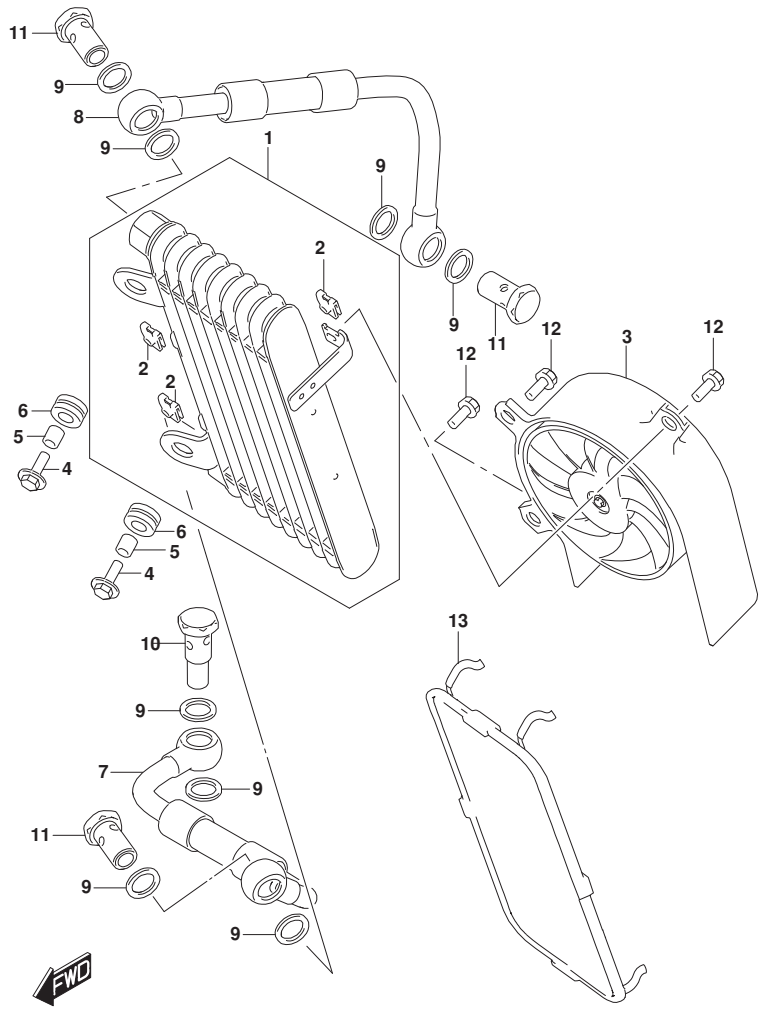


FIG.201A

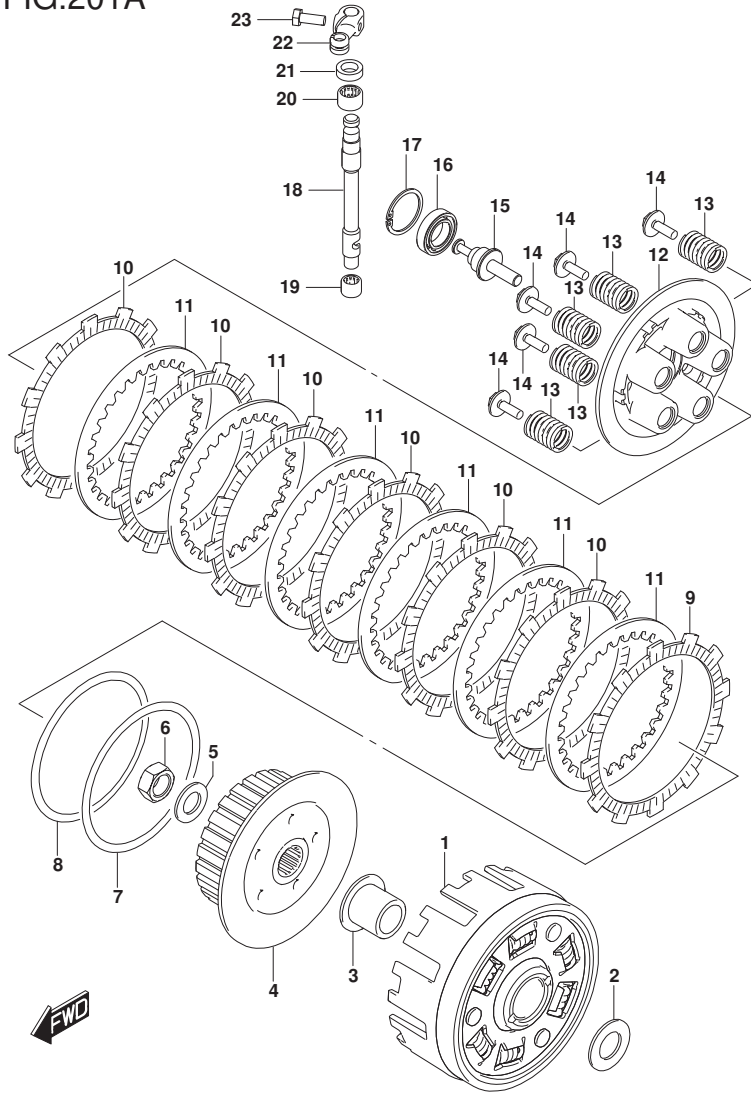
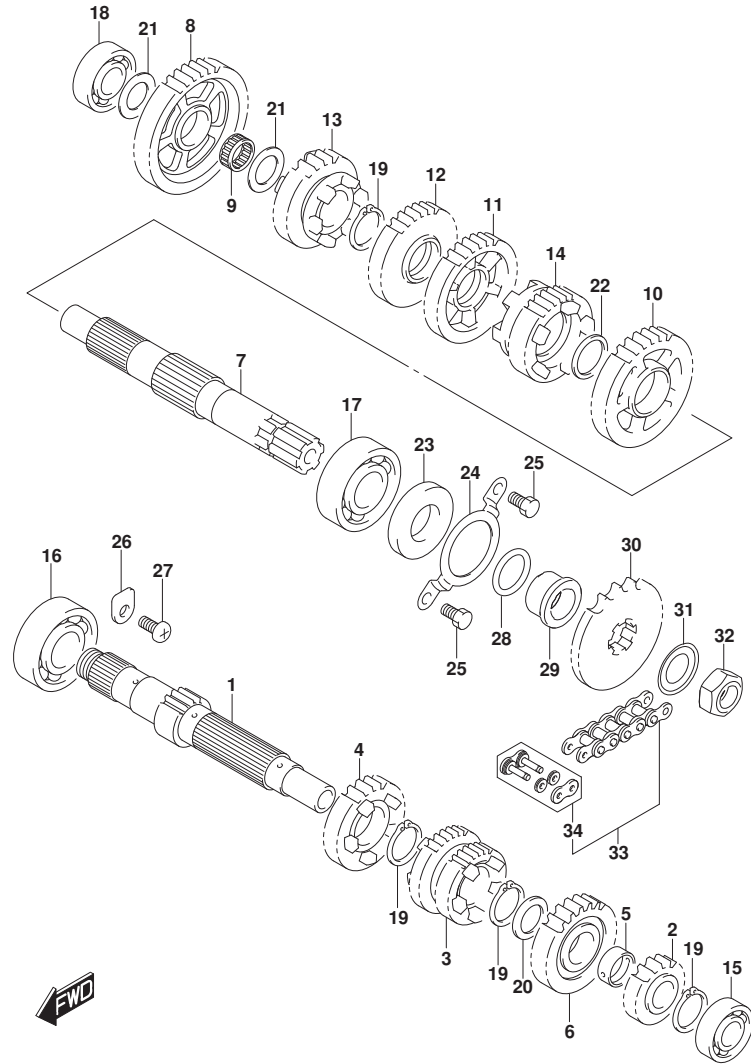


FIG.201A (1-C-8) CLUTCH

REF NO.	PART NO.	DESCRIPTION	QTY	REMARKS
1	21200-41KA0-000	GEAR ASSY, PRIMARY DRIVEN (NT:71)	1	
2	08211-20363-000	WASHER	1	
3	21251-41K10-000	SPACER, PRIMARY DRIVEN GEAR	1	
4	21411-41K00-000	HUB, CLUTCH SLEEVE	1	
5	08211-16283-000	WASHER	1	
6	09140-16038-000	NUT	1	
7	21471-41K00-000	SEAT, WAVE WASHER	1	
8	21472-41K00-000	WASHER, CLUTCH PLATE WAVE	1	
9	21442-41K00-000	PLATE, CLUTCH DRIVE NO.2 (T:3.0)	1	
10	21441-41K00-000	PLATE, CLUTCH DRIVE NO.1 (T:3.0)	6	
11	21451-41K00-000	PLATE, CLUTCH DRIVEN (T:1.6)	6	
12	21462-41K00-000	DISC, CLUTCH PRESSURE	1	
13	21481-41K01-000	SPRING, CLUTCH	5	
14	21482-41K00-000	BOLT, CLUTCH SPRING	5	
15	23121-41K00-000	PIECE, CLUTCH PULL	1	
16	08110-69030-000	BEARING	1	
17	08331-41309-000	CIRCLIP	1	
18	23122-41K00-000	CAMSHAFT, CLUTCH RELEASE	1	
19	09263-09002-000	BEARING (9X13X10)	1	
20	09263-12030-000	BEARING (12X16X10)	1	
21	09285-11001-000	OIL SEAL (11X17X5)	1	
22	23271-41K00-000	ARM, CLUTCH RELEASE	1	
23	01500-0616B-000	BOLT	1	

FIG.206A



DS250M5\_P74\_206A  
TRANSMISSION

FIG.206A (1-C-9) TRANSMISSION

REF NO.	PART NO.	DESCRIPTION	Q'TY	REMARKS
1	24121-41KA0-000	SHAFT, COUNTER (NT:12)	1	
2	24221-41KA0-000	GEAR, 2ND DRIVE (NT:16)	1	
3	24231-41KA0-000	GEAR, 3RD & 4TH DRIVE (NT:18)	1	
4	24261-41KA0-000	GEAR, 6TH DRIVE (NT:23)	1	
5	24252-41KA0-000	BUSH, 5TH DRIVE GEAR	1	
6	24251-41KA0-000	GEAR, 5TH DRIVE (NT:22)	1	
7	24130-41KA0-000	SHAFT, DRIVE	1	
8	24311-41KA0-000	GEAR, 1ST DRIVEN (NT:30)	1	
9	09263-17060-000	BEARING (22X29X16.8)	1	
10	24321-41KA0-000	GEAR, 2ND DRIVEN (NT:27)	1	
11	24331-41KA0-000	GEAR, 3RD DRIVEN (NT:25)	1	
12	24341-41KA0-000	GEAR, 4TH DRIVEN (NT:20)	1	
13	24361-41KA0-000	GEAR, 6TH DRIVEN (NT:19)	1	
14	24351-41KA0-000	GEAR, 5TH DRIVEN (NT:21)	1	
15	09262-17055-000	BEARING (17X14X12)	1	
16	08112-63040-000	BEARING	1	
17	09262-25189-000	BEARING (25X52X15)	1	
18	08110-62030-000	BEARING	1	
19	09380-22018-000	CIRCLIP	4	
20	09160-22088-000	WASHER (22X30X1)	1	
21	09160-17063-000	WASHER (17X26X1)	2	
22	09380-25016-000	CIRCLIP	1	
23	09283-34016-000	OIL SEAL (34X46X8)	1	
24	24751-41K00-000	RETAINER, DRIVE SHAFT OIL SEAL	1	
25	01500-0610A-000	BOLT	2	
26	24741-20A10-000	RETAINER, SHIFT CAM RH BEARING	2	
27	02112-0612A-000	SCREW	2	
28	09280-24008-000	O RING (D:2.5, ID:23.8)	1	
29	27531-41K00-000	SPACER, ENGINE SPROCKET	1	
30	27511-41K00-000	SPROCKET, ENGINE (NT:13)	1	
31	09167-25019-000	LOCK WASHER (25.3X41.6X1.0)	1	
32	09140-20022-000	NUT	1	
33	27600-41K20-114	CHAIN ASSY, DRIVE	1	
34	27620-41K20-000	JOINT SET, CHAIN	1	

DS250M5\_P74

FIG.212A

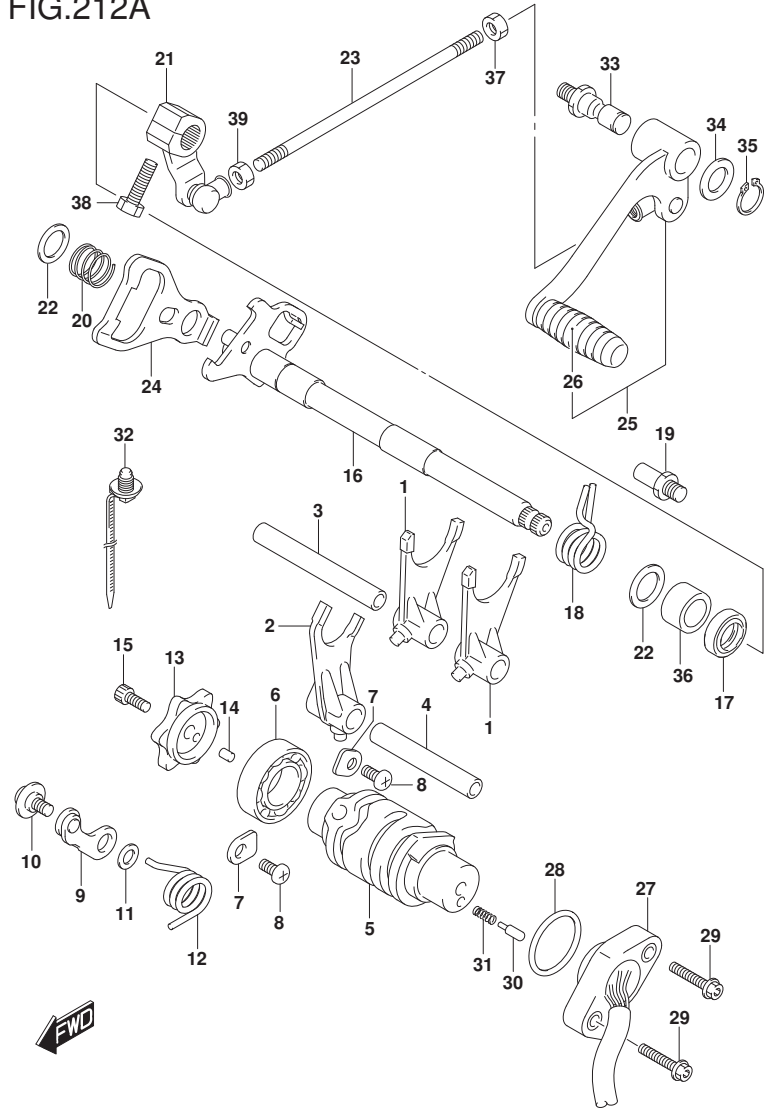


FIG.212A (1-C-10) GEAR SHIFTING

REF NO.	PART NO.	DESCRIPTION	QTY	REMARKS
1	25211-14D10-000	FORK, GEAR SHIFT NO.1	2	
2	25231-14D10-000	FORK, GEAR SHIFT NO.3	1	
3	25411-48H00-000	SHAFT, GEAR SHIFT FORK NO.1	1	
4	25421-14D10-000	SHAFT, GEAR SHIFT FORK NO.2	1	
5	25311-41K00-000	CAM, GEAR SHIFT	1	
6	08110-6905A-000	BEARING	1	
7	24741-20A10-000	RETAINER, SHIFT CAM RH BEARING	2	
8	02112-0612A-000	SCREW	2	
9	25350-34J20-000	STOPPER, GEAR SHIFT CAM	1	
10	25357-34J00-000	BOLT (6X14.3)	1	
11	08211-06121-000	WASHER	1	
12	25355-34J10-000	SPRING, GEAR SHIFT CAM STOPPER	1	
13	25381-34J00-000	PLATE, GEAR SHIFT CAM	1	
14	04221-04089-000	PIN	1	
15	07130-0616A-000	BOLT	1	
16	25510-41K00-000	SHAFT, GEAR SHIFT	1	
17	09283-14011-000	SEAL,SHIFT SHAFT OIL	1	
18	25518-41K00-000	SPRING, SHIFT SHAFT RETURN	1	
19	25671-28G00-000	STOPPER, GEAR SHIFT ARM	1	
20	25515-34J00-000	SPRING, GEAR SHIFT PLATE RETURN	1	
21	25520-41K11-000	ARM, GEAR SHIFT LINK	1	
22	09181-14167-000	SHIM (14X22X1.0)	2	
23	25525-20L00-000	ROD, GEAR SHIFT LINK	1	
24	25512-28G10-000	PLATE, GEAR SHIFT CAM DRIVE	1	
25	25600-41K10-000	LEVER ASSY, GEAR SHIFT	1	
26	25652-05J00-000	.RUBBER, GEAR SHIFT LEVER	1	
27	37720-41K01-000	BASE ASSY, GEAR SHIFT TERM	1	
28	09280-26005-000	O RING (D:2.4,ID:26.2)	1	
29	07120-0520A-000	BOLT	2	
30	09209-05011-000	PIN (5X15.5)	2	
31	09440-04010-000	SPRING	2	
32	09407-15L01-000	CLAMP (L:170)	1	
33	25617-03F20-000	SHAFT, GEAR SHIFT LEVER	1	
34	09160-12011-000	WASHER (12.5X20X1.0)	1	
35	08331-3112A-000	CIRCLIP	1	

FIG.212A

FIG.212A (1-C-11) GEAR SHIFTING

REF NO.	PART NO.	DESCRIPTION	Q'TY	REMARKS
36	09263-14036-000	BEARING (14X20X12)	1	
37	09140-06025-000	NUT	1	
38	01500-0620B-000	BOLT	1	
39	08310-0006A-000	NUT	1	

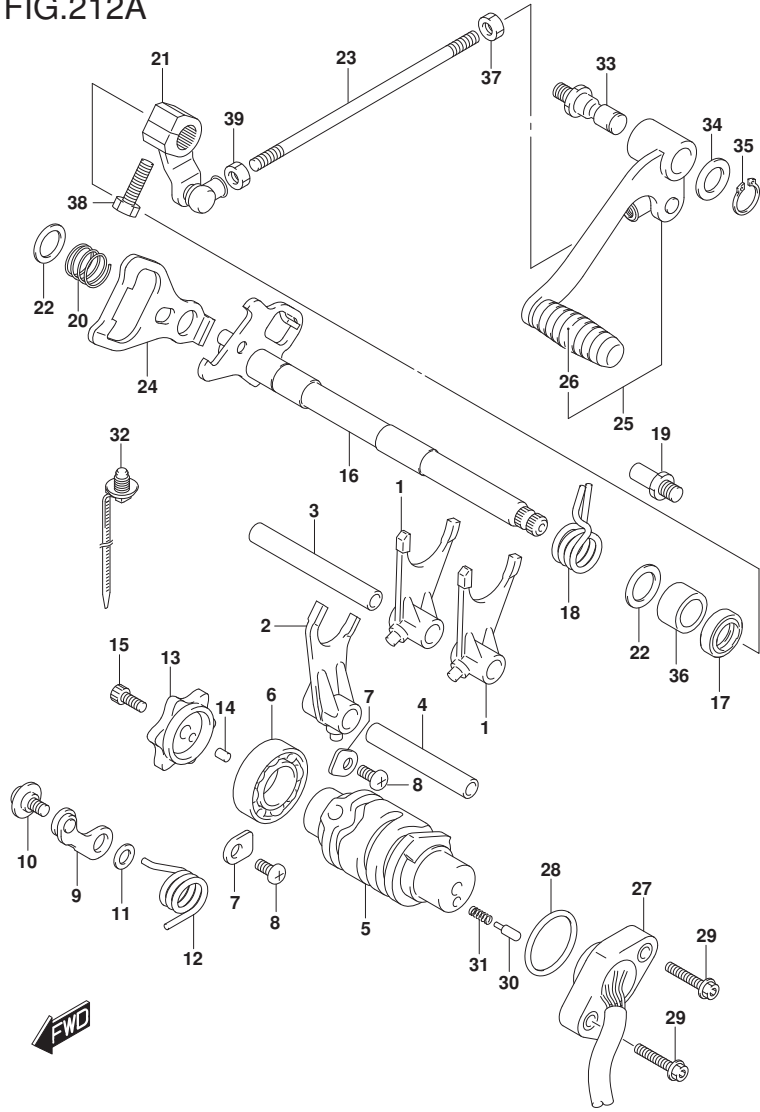


FIG.301A

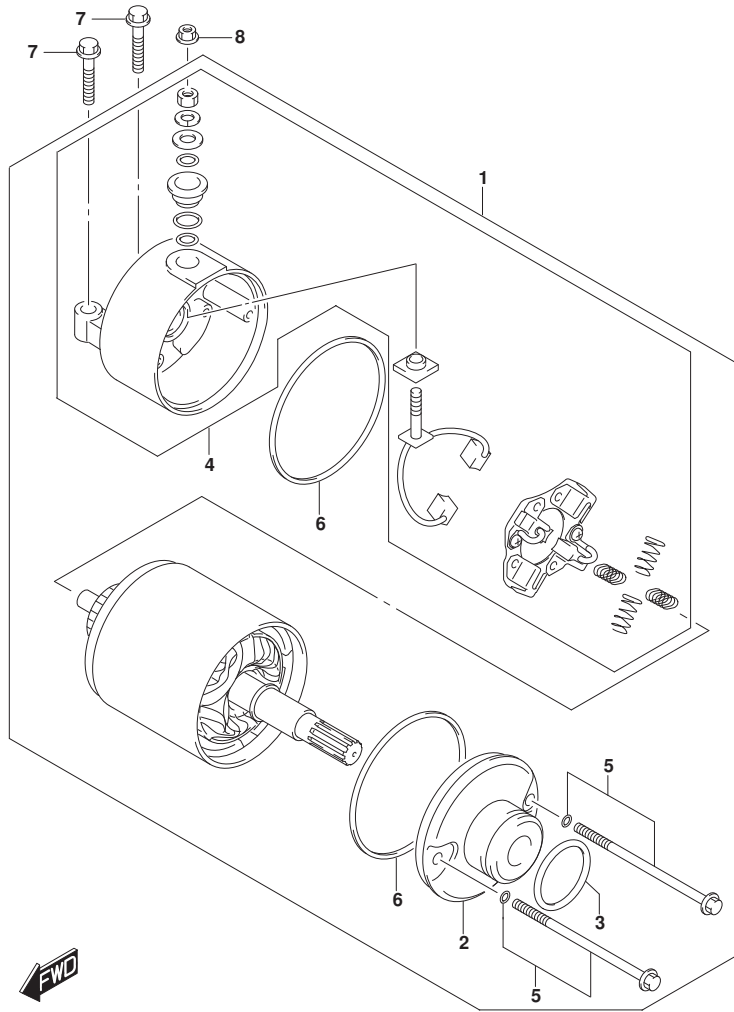


FIG.301A (1-C-12) STARTING MOTOR

REF NO.	PART NO.	DESCRIPTION	QTY	REMARKS
1	31100-41K00-000	MOTOR ASSY, STARTING	1	
2	31150-41K00-000	.FRONT BRACKET	1	
3	31156-41K00-000	.O RING	1	
4	31175-41K00-000	.REAR BRACKET	1	
5	31280-41K00-000	.BOLT SET	1	
6	31264-41K00-000	.SEAL SET	1	
7	01547-0625A-000	BOLT	2	
8	08361-3506A-000	NUT	1	

FIG.303A

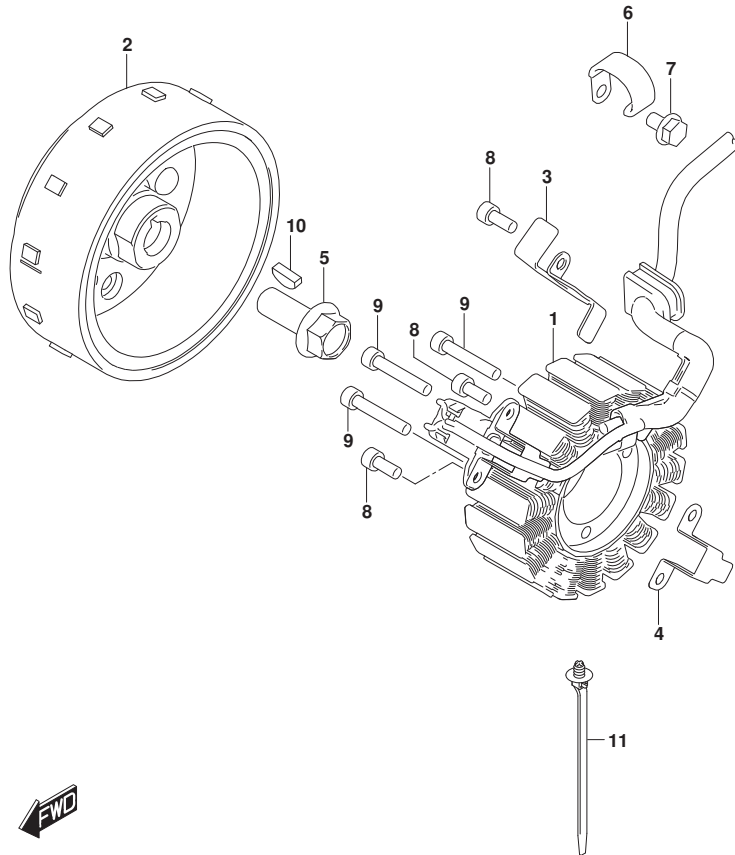


FIG.303A (1-C-13) MAGNETO

REF NO.	PART NO.	DESCRIPTION	Q'TY	REMARKS
1	32101-41K00-000	STATOR ASSY, MAGNETO	1	
2	32102-41K00-000	ROTOR ASSY, MAGNETO	1	
3	32371-41K00-000	CLAMP, MAGNETO LEAD	1	
4	32371-41K10-000	CLAMP, SENSOR LEAD	1	
5	32491-41K00-000	BOLT, MAGNETO ROTOR	1	
6	09404-06429-000	CLAMP (L:45)	1	
7	01550-0610A-000	BOLT	1	
8	07130-0512B-000	BOLT	3	
9	07130-0530B-000	BOLT	3	
10	09420-04008-000	KEY	1	
11	09407-15L01-000	CLAMP (L:170)	1	

FIG.310A

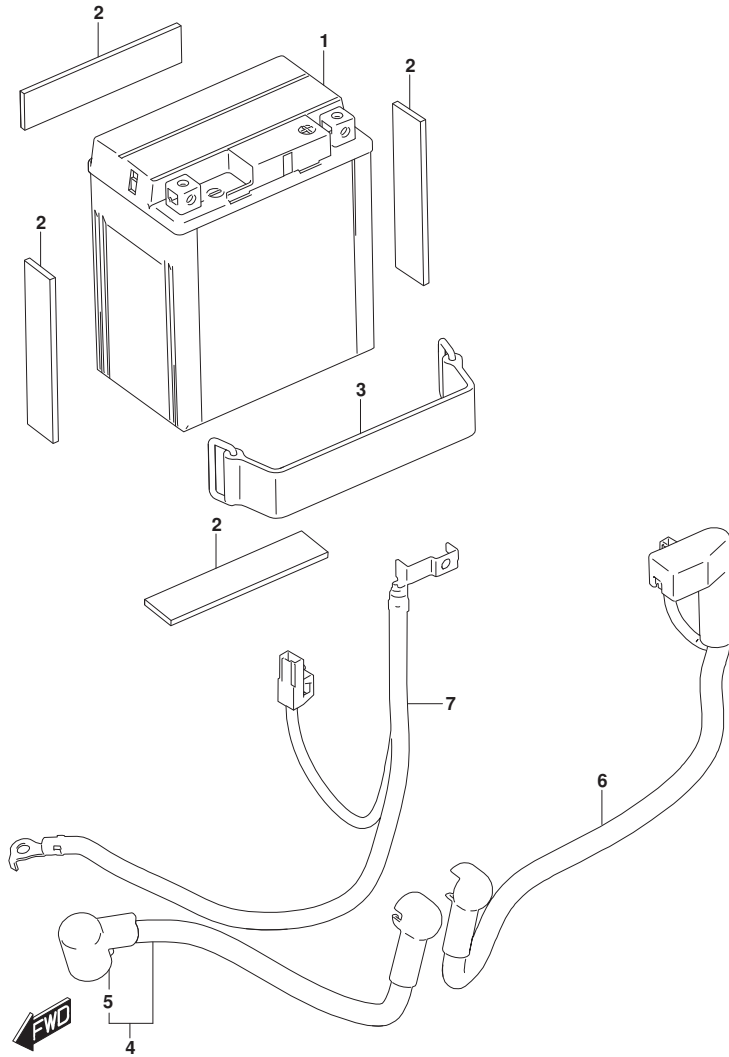


FIG.310A (1-C-14) BATTERY

REF NO.	PART NO.	DESCRIPTION	QTY	REMARKS
1	33620-41K01-000	BATTERY ASSY	1	NON-SERVICEABLE
2	33652-29110-000	PROTECTOR,BATTERY	4	CUT AS REQUIRED
3	09462-00007-000	BAND	1	
4	33810-41K10-000	WIRE, STARTER MOTOR LEAD	1	
5	33624-41K00-000	.CAP, STARTER LEAD	1	
6	33820-41K00-000	WIRE, BATTERY PLUS LEAD	1	
7	33860-41K00-000	WIRE, BATTERY MINUS LEAD	1	

FIG.311A

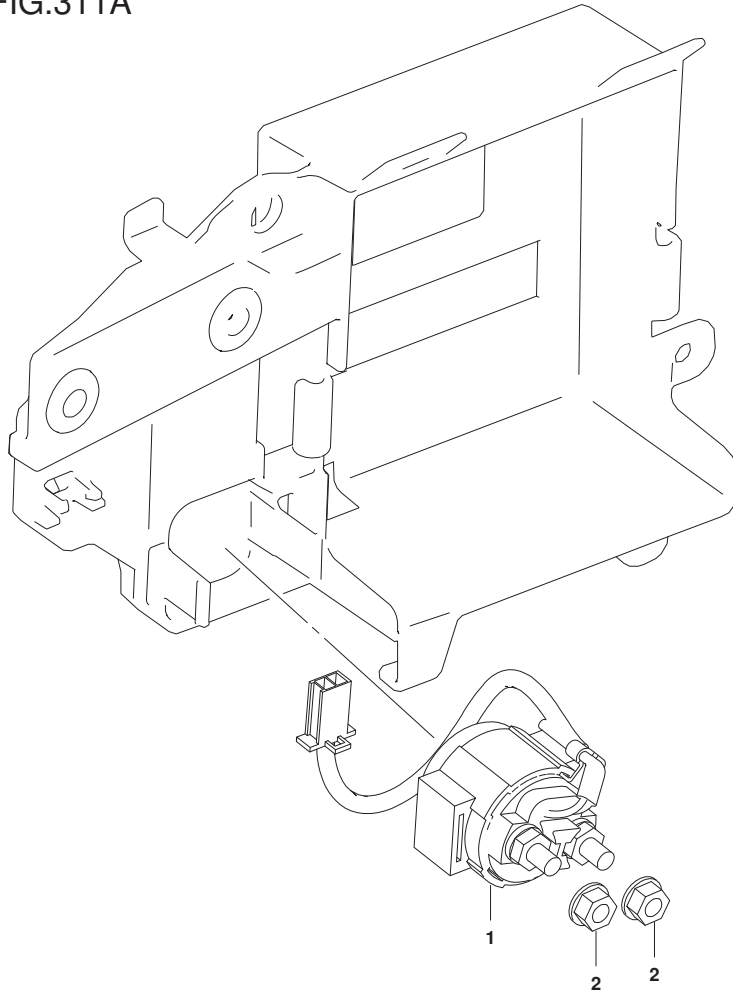


FIG.311A (1-D-2) STARTOR RELAY

REF NO.	PART NO.	DESCRIPTION	QTY	REMARKS
1	31800-34J02-000	RELAY ASSY, STARTING MOTOR	1	
2	08361-3506A-000	NUT	2	



FIG.313A

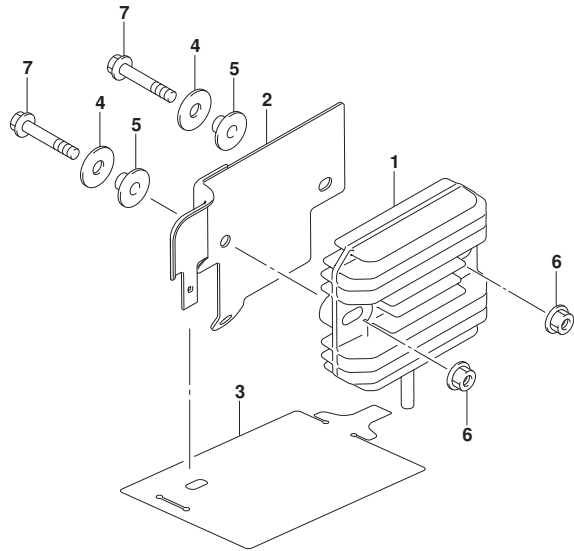


FIG.313A (1-D-3) RECTIFIER

REF NO.	PART NO.	DESCRIPTION	Q'TY	REMARKS
1	32800-20K30-000	RECTIFIER ASSY	1	
2	32832-41K00-000	PLATE, RECTIFIER	1	
3	32852-41K00-000	PROTECTOR, RECTIFIER	1	
4	09160-06060-000	WASHER (6.5X20X1.2)	2	
5	09180-06380-000	SPACER (6.2X8.4X6.9)	2	
6	08316-1006B-000	NUT	2	
7	01547-0630B-000	BOLT	2	



FIG.316A

FIG.316A (1-D-4) IGNITION COIL

REF NO.	PART NO.	DESCRIPTION	QTY	REMARKS
1	33410-41K00-000	COIL ASSY, IGNITION	1	
2	33414-41K00-000	BRACKET, IGNITION COIL	1	
3	01547-0620A-000	BOLT	2	
4	01547-0612A-000	BOLT	2	
5	33510-41K00-000	CAP ASSY, SPARK PLUG	1	
6	33541-08K00-000	SEAL, SPARK PLUG	1	
7	33542-30H00-000	SEAL, HIGH TENSION CORD	1	

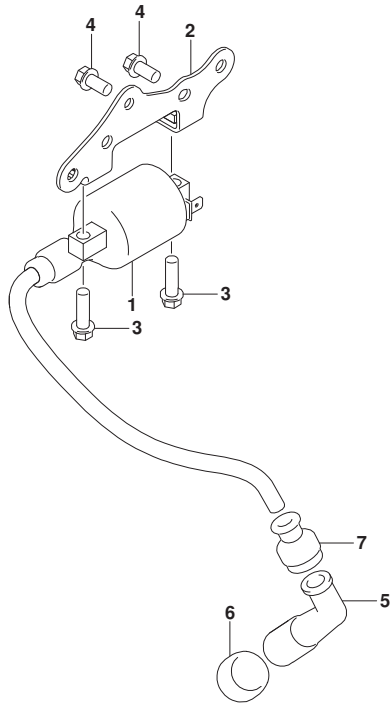


FIG.322A

**FIG.322A (1-D-5) ELECTRIC POWER CONTROL UNIT**

REF NO.	PART NO.	DESCRIPTION	QTY	REMARKS
1	32920-20LD0-000	CONTROL UNIT, FI	1	
2	33960-27G00-000	SENSOR ASSY, FUEL CUT	1	
3	09280-63003-000	O RING (D:3.5,ID:62.6)	1	

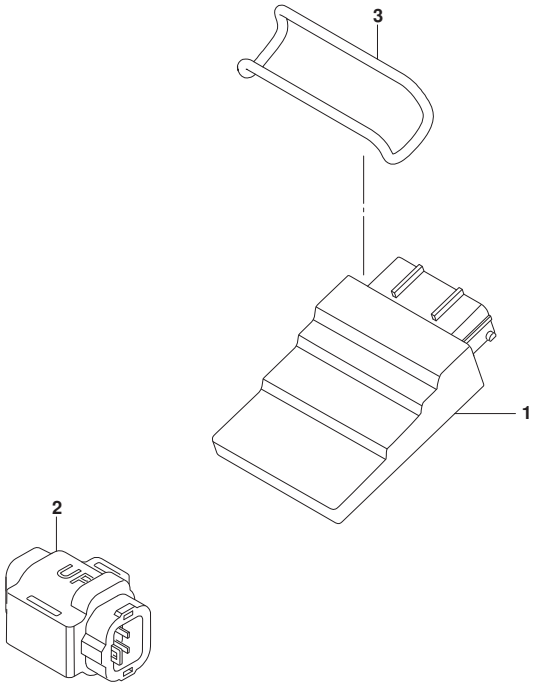


FIG.330A



FIG.330A (1-D-6) SPEEDOMETER

REF NO.	PART NO.	DESCRIPTION	Q'TY	REMARKS
1	34100-20LC2-000	SPEEDOMETER ASSY	1	WITH BLUETOOTH
2	34189-34J00-000	CUSHION, SPEEDOMETER	3	
3	09160-04026-000	WASHER (4.5X16X1.2)	3	
4	03541-0416A-000	SCREW	3	

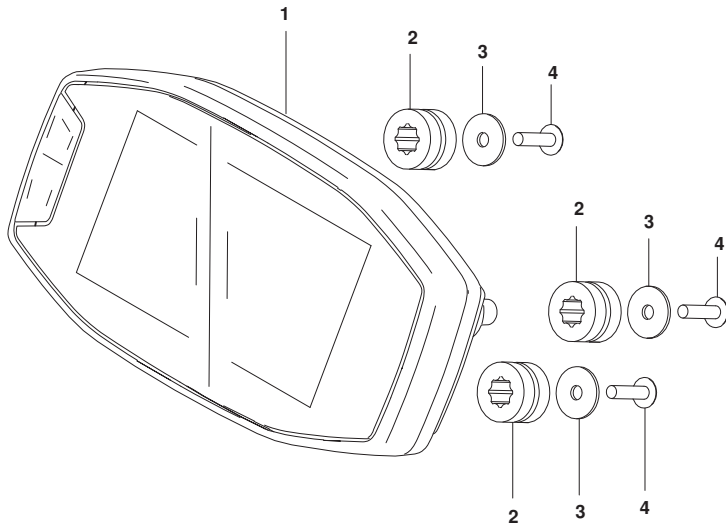


FIG.333A

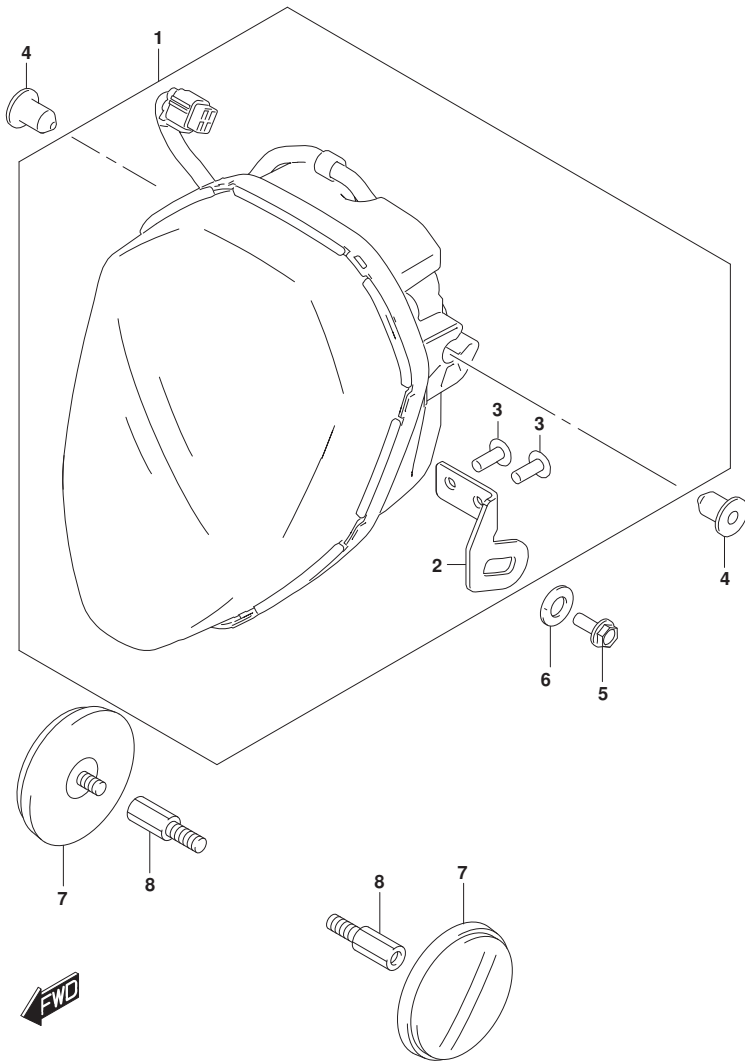


FIG.333A (1-D-7) HEADLAMP

REF NO.	PART NO.	DESCRIPTION	QTY	REMARKS
1	35100-20L01-000	HEADLAMP ASSY	1	
2	35159-20L00-000	.BRACKET	1	
3	03541-0616B-000	.SCREW	2	
4	51831-30H10-000	CUSHION, METER BRACE	2	
5	02162-0616B-000	SCREW	1	
6	09160-06151-000	WASHER (6.5X18X1)	1	
7	35950-20L00-000	REFLEX REFLECTOR ASSY, SIDE	2	
8	09119-06140-000	BOLT	2	

FIG.334A

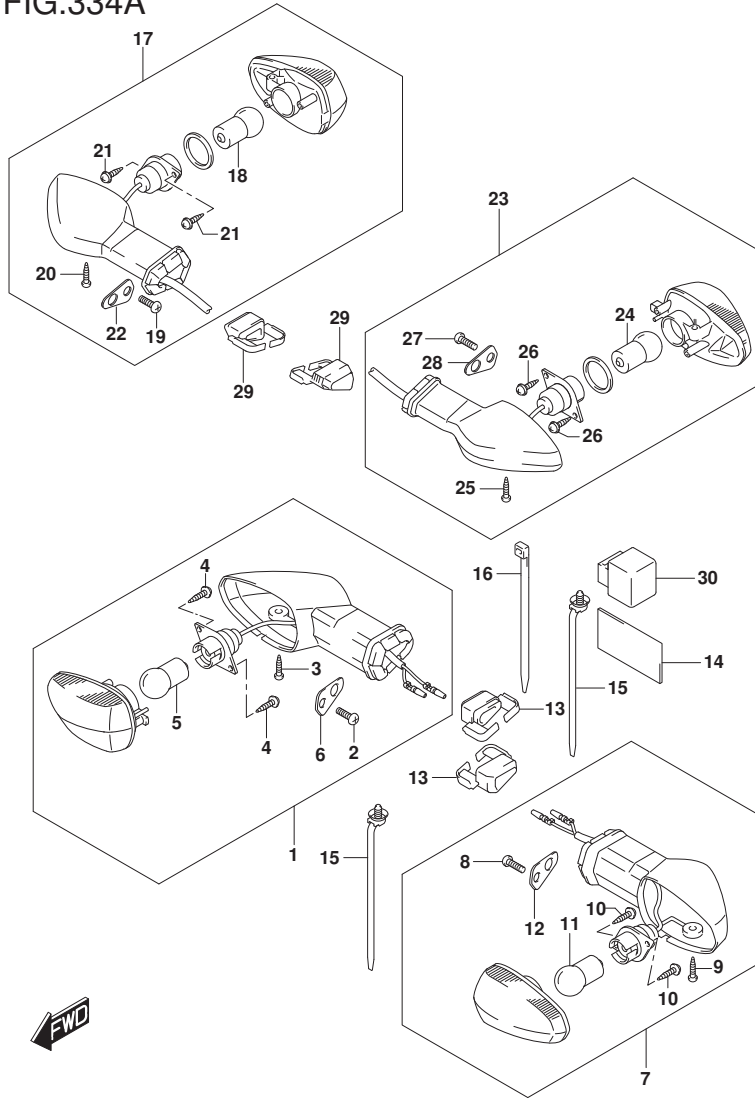


FIG.334A (1-D-8) TURNSIGNAL LAMP

REF NO.	PART NO.	DESCRIPTION	QTY	REMARKS
1	35601-20LD0-000	LAMP ASSY, FRONT TURNSIGNAL RH	1	
2	35623-34J00-000	.SCREW	1	
3	35623-34J30-000	.SCREW	1	
4	35623-34J40-000	.SCREW	2	
5	09471-12226-000	.BULB (12V10W,AMBER)	1	
6	35616-34J00-000	.PLATE	1	
7	35602-20LD0-000	LAMP ASSY, FRONT TURNSIGNAL LH	1	
8	35623-34J00-000	.SCREW	1	
9	35623-34J30-000	.SCREW	1	
10	35623-34J40-000	.SCREW	2	
11	09471-12226-000	.BULB (12V10W,AMBER)	1	
12	35616-34J00-000	.PLATE	1	
13	35629-34J30-000	PLATE, FRONT TURNSIGNAL	2	
14	36990-44J10-000	CLAMP	1	
15	09407-15L01-000	CLAMP (L:170)	2	
16	09407-14407-000	CLAMP (L:145)	1	
17	35603-20L70-000	LAMP ASSY, REAR TURNSIGNAL RH	1	
18	09471-12226-000	.BULB (12V10W,AMBER)	1	
19	35623-34J30-000	.SCREW	1	
20	35623-34J00-000	.SCREW	1	
21	35623-34J40-000	.SCREW	2	
22	35616-34J00-000	.PLATE	1	
23	35604-20L70-000	LAMP ASSY, REAR TURNSIGNAL LH	1	
24	09471-12226-000	.BULB (12V10W,AMBER)	1	
25	35623-34J30-000	.SCREW	1	
26	35623-34J00-000	.SCREW	1	
27	35623-34J40-000	.SCREW	2	
28	35616-34J00-000	.PLATE	1	
29	35629-34J30-000	PLATE, FRONT TURNSIGNAL	2	
30	38610-27K01-000	RELAY ASSY, TURNSIGNAL	1	

FIG.339A

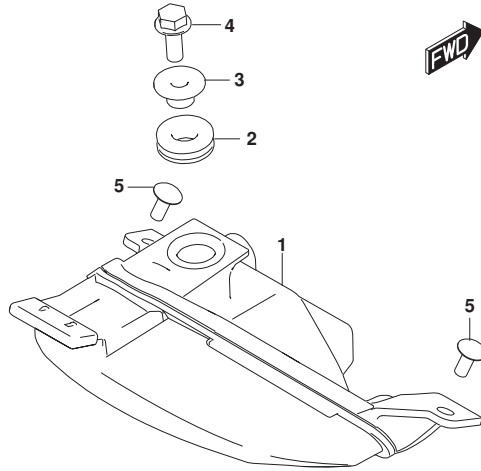


FIG.339A (1-D-9) REAR COMBINATION LAMP

REF NO.	PART NO.	DESCRIPTION	Q'TY	REMARKS
1	35710-20L00-000	LAMP ASSY, REAR COMB	1	
2	47161-23J00-000	CUSHION (10X22X7)	1	
3	53275-34J00-000	SPACER, FR FENDER	1	
4	01550-0616A-000	BOLT	1	
5	03541-0512A-000	SCREW	2	
6	35910-23K10-000	LAMP ASSY, LICENSE	1	
7	35913-23K00-000	.RUBBER	1	
8	09160-05050-000	WASHER (5.5X18X1)	2	
9	03541-0512A-000	SCREW	2	
10	35970-28G00-000	REFLECTOR ASSY, RR	1	
11	09160-05050-000	WASHER (5.5X18X1)	1	
12	08319-2105A-000	NUT	1	

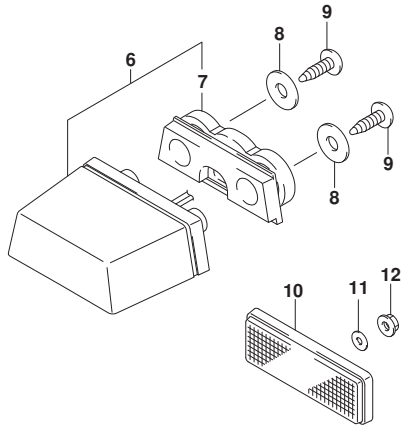


FIG.350A

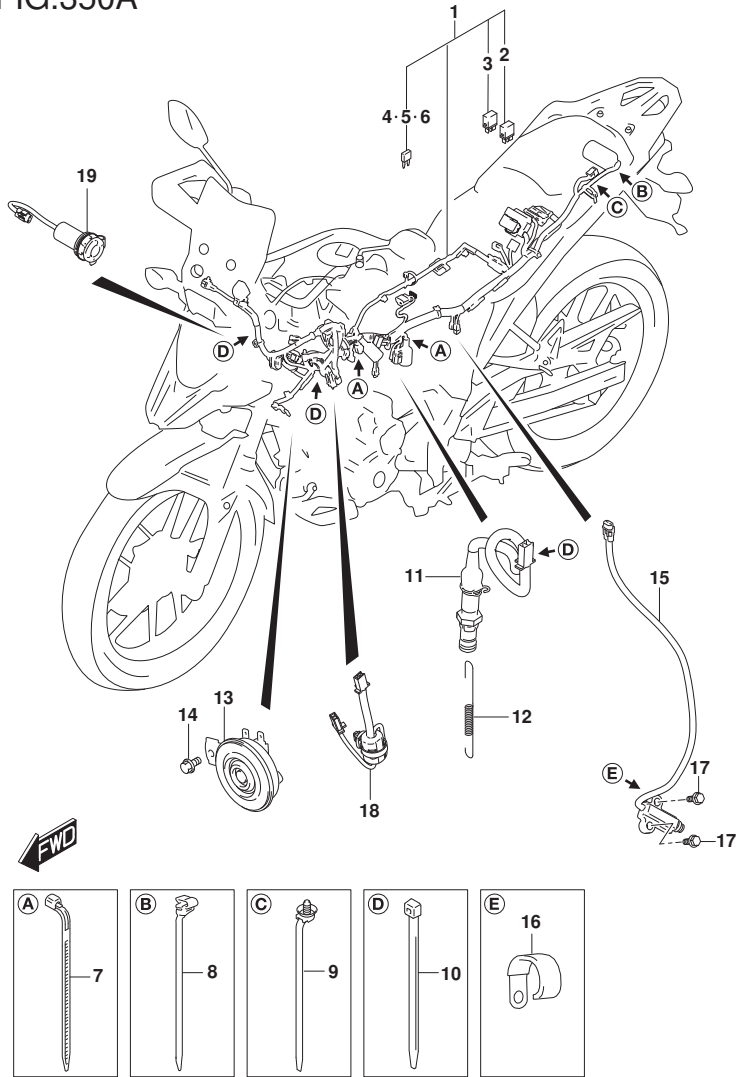


FIG.350A (1-D-10) WIRING HARNESS

REF NO.	PART NO.	DESCRIPTION	QTY	REMARKS
1	36610-20L50-000	HARNESS, WIRING	1	
2	38860-76F01-000	.RELAY ASSY	1	
3	38860-76F01-000	.RELAY ASSY	1	
4	09481-10501-000	.FUSE (10A)	3	
5	09481-15501-000	.FUSE (15A)	2	
6	09481-20501-000	.FUSE (20A)	1	
7	36990-70F20-000	CLAMP, COMB SW WIRE (L:165)	2	
8	36990-44J10-000	CLAMP	1	
9	09407-14L01-000	CLAMP (L:125)	1	
10	09407-14407-000	CLAMP (L:145)	3	
11	37740-34J20-000	SWITCH ASSY, STOP LAMP	1	
12	43232-34J00-000	SPRING, STOP LAMP SWITCH	1	
13	38500-41K10-000	HORN ASSY	1	
14	01550-0610B-000	BOLT	1	
15	37840-02L11-000	SWITCH ASSY, SIDE STAND	1	
16	09404-06429-000	CLAMP (L:45)	1	
17	01550-0620A-000	BOLT	2	
18	36852-20L00-000	WIRE, FAN MOTOR LEAD	1	
19	39105-44K32-000	SOCKET, USB	1	

FIG.352A

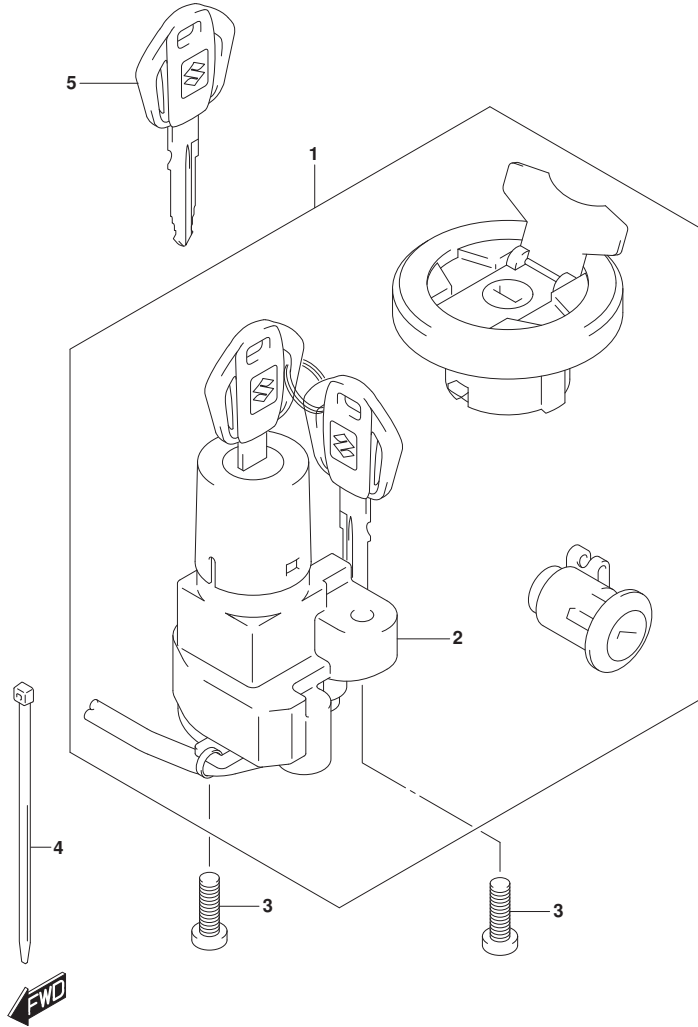


FIG.352A (1-D-11) LOCK SET

REF NO.	PART NO.	DESCRIPTION	Q'TY	REMARKS
1	37101-208E1-000	LOCK SET	1	
2	37100-20L01-000	.LOCK ASSY, STEERING	1	
3	37152-30H00-000	BOLT, STEERING LOCK	2	
4	09407-14407-000	CLAMP (L:145)	1	
5	37146-41K00-000	KEY, BLANK	1	OPT

FIG.355A

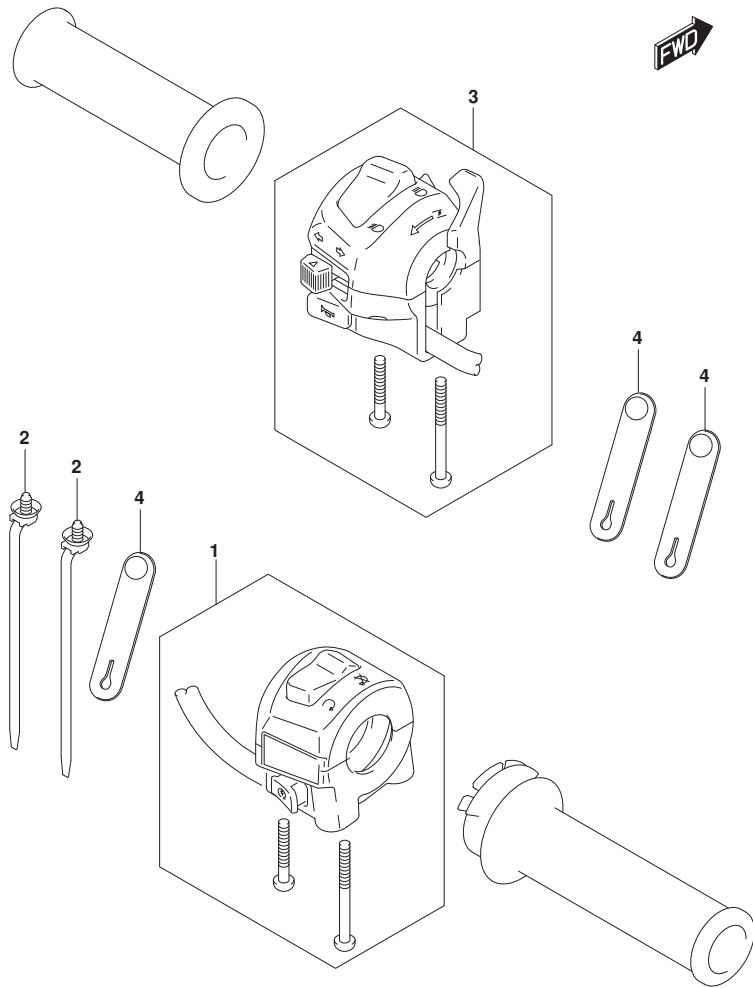


FIG.355A (1-D-12) HANDLE SWITCH

REF NO.	PART NO.	DESCRIPTION	Q'TY	REMARKS
1	37200-27K21-000	SWITCH ASSY, HANDLE RH	1	
2	09407-15L01-000	CLAMP (L:170)	2	
3	37400-27K20-000	SWITCH ASSY, HANDLE LH	1	
4	36990-20L00-000	CLAMP, HANDLE SWITCH	3	

FIG.401A

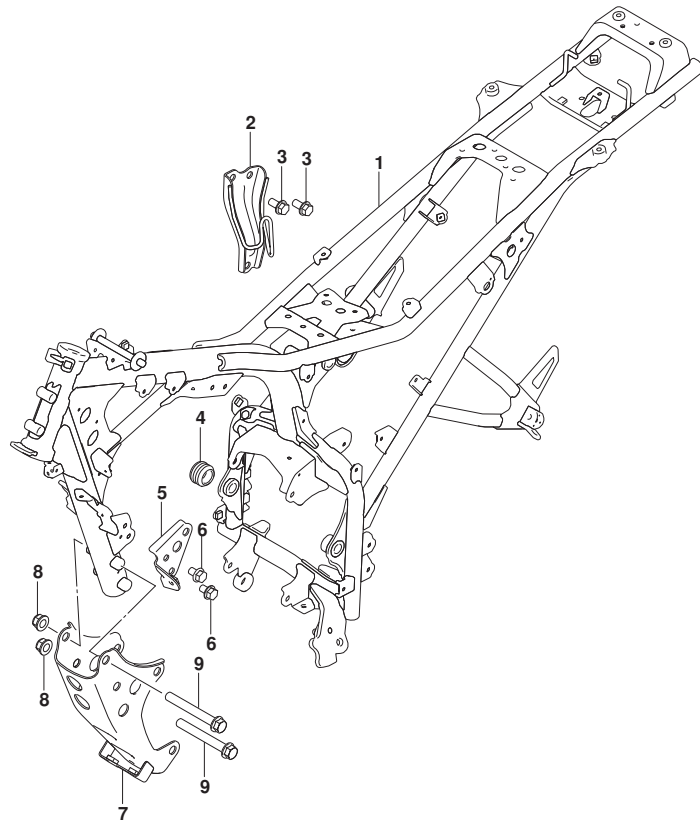


FIG.401A (1-D-13) FRAME

REF NO.	PART NO.	DESCRIPTION	Q'TY	REMARKS
1	41100-20L00-000	FRAME	1	
2	41980-41K00-000	PLATE, ENG MTG UPPER	1	
3	01550-0816A-000	BOLT	2	
4	43585-27K00-000	CAP, FRAME BRIDGE LOWER	1	
5	41994-41K00-000	PLATE, ENG MTG FRONT	1	
6	01550-0812B-000	BOLT	2	
7	41990-20L00-000	BRACKET, ENG MTG LOWER	1	
8	08319-3110B-000	NUT	2	
9	41933-34J00-000	BOLT, ENG MTG LOWER	2	

FIG.406A

FIG.406A (1-D-14) HOLDER

REF NO.	PART NO.	DESCRIPTION	Q'TY	REMARKS
1	41542-41K00-000	HOLDER, BATTERY	1	
2	47431-20L00-000	HOLDER, OWNER'S MANUAL	1	
3	48178-31C00-000	CUSHION (15X30X3)	1	
4	09111-06063-000	BOLT (6X12)	3	
5	09139-06219-000	BOLT (6X13)	1	
6	47421-20L00-000	HOLDER, ELECTRIC PARTS	1	
7	03541-0512A-000	SCREW	3	

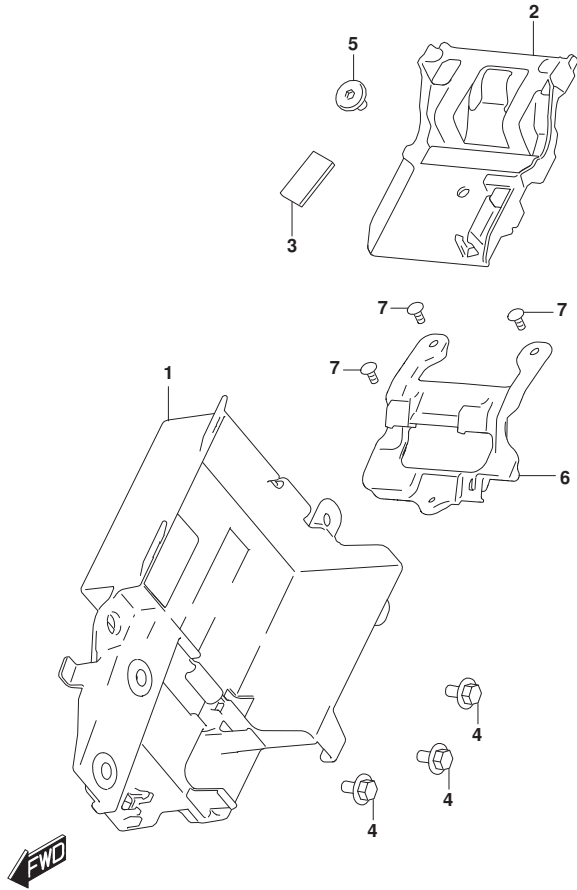


FIG.407A

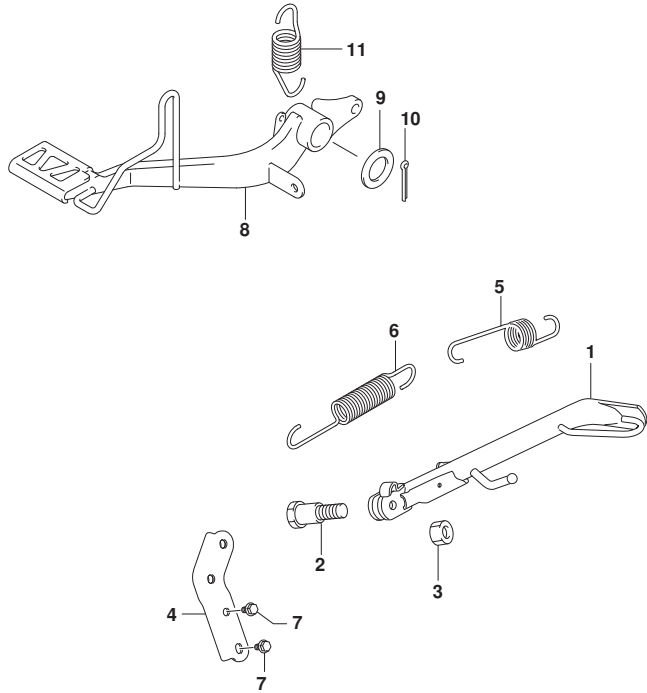


FIG.407A (1-E-2) STAND

REF NO.	PART NO.	DESCRIPTION	Q'TY	REMARKS
1	42310-20L00-000	STAND, PROP	1	
2	42341-27K00-000	BOLT, PROP STAND (10X33)	1	
3	08319-2110B-000	NUT	1	
4	42360-41K00-000	PLATE, SIDE STAND SWITCH	1	
5	42423-48H00-000	SPRING, PROP STAND	1	
6	42424-48H00-000	SPRING, PROP STAND OUTER	1	
7	01550-0612B-000	BOLT	2	
8	43110-34J20-000	PEDAL, BRAKE	1	
9	09160-15002-000	WASHER (15.5X26X2.3)	1	
10	04111-3025A-000	PIN	1	
11	43211-23J00-000	SPRING, BRAKE PEDAL	1	

FIG.412A

FIG.412A (1-E-3) CARRIER

REF NO.	PART NO.	DESCRIPTION	Q'TY	REMARKS
1	46311-20L00-000	CARRIER, SPORT	1	
2	01550-0825A-000	BOLT	4	
3	68391-20L00-000	LABEL, CARRIER WARNING	1	

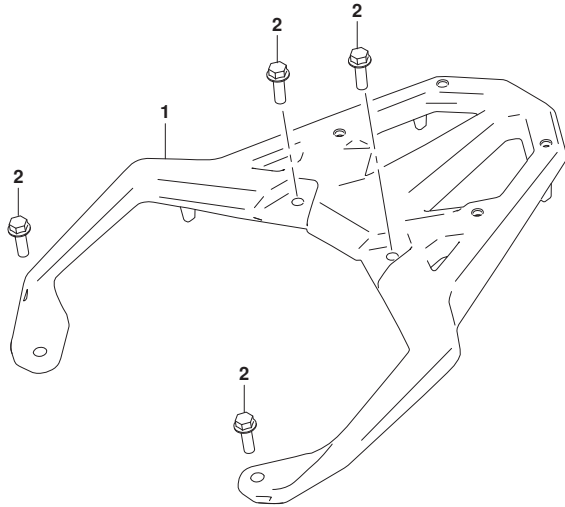


FIG.415A

FIG.415A (1-E-4) FOOTREST

REF NO.	PART NO.	DESCRIPTION	QTY	REMARKS
1	43510-20L00-000	BRACKET, FR FOOTREST RH	1	
2	43520-20L00-000	BRACKET, FR FOOTREST LH	1	
3	09106-08210-000	BOLT	4	
4	43551-06L00-000	RUBBER, FR FOOTREST	2	
5	09200-08077-000	PIN	2	
6	04111-2515A-000	PIN	2	
7	09448-20012-000	SPRING	2	
8	43530-06L00-000	BAR, FRONT FOOTREST RH	1	
9	43540-06L00-000	BAR, FRONT FOOTREST LH	1	
10	43552-06L00-000	PLATE, FR FOOTREST RUBBER	2	
11	47512-28K00-000	SPACER, FR FOOTREST RUBBER	4	
12	07120-0512A-000	BOLT	4	
13	43576-48B80-000	BOLT, BANK SENSOR	2	
14	43571-20L00-000	GUARD, FR FOOTREST RH	1	
15	43572-20L00-000	GUARD, FR FOOTREST LH	1	
16	07130-0616A-000	BOLT	2	
17	43611-37H70-000	BAR, PILLION FOOTREST RH	1	
18	43621-37H70-000	BAR, PILLION FOOTREST LH	1	
19	43529-34J10-000	PIN, PILLION FOOTREST	2	
20	04111-2515A-000	PIN	2	
21	09440-05003-000	SPRING	2	
22	06111-07004-000	BALL	2	
23	43680-20L20-000	GUARD, RR SIDE	1	
24	01550-0816B-000	BOLT	3	
25	09160-08156-000	WASHER (8.5X20X1.6)	3	

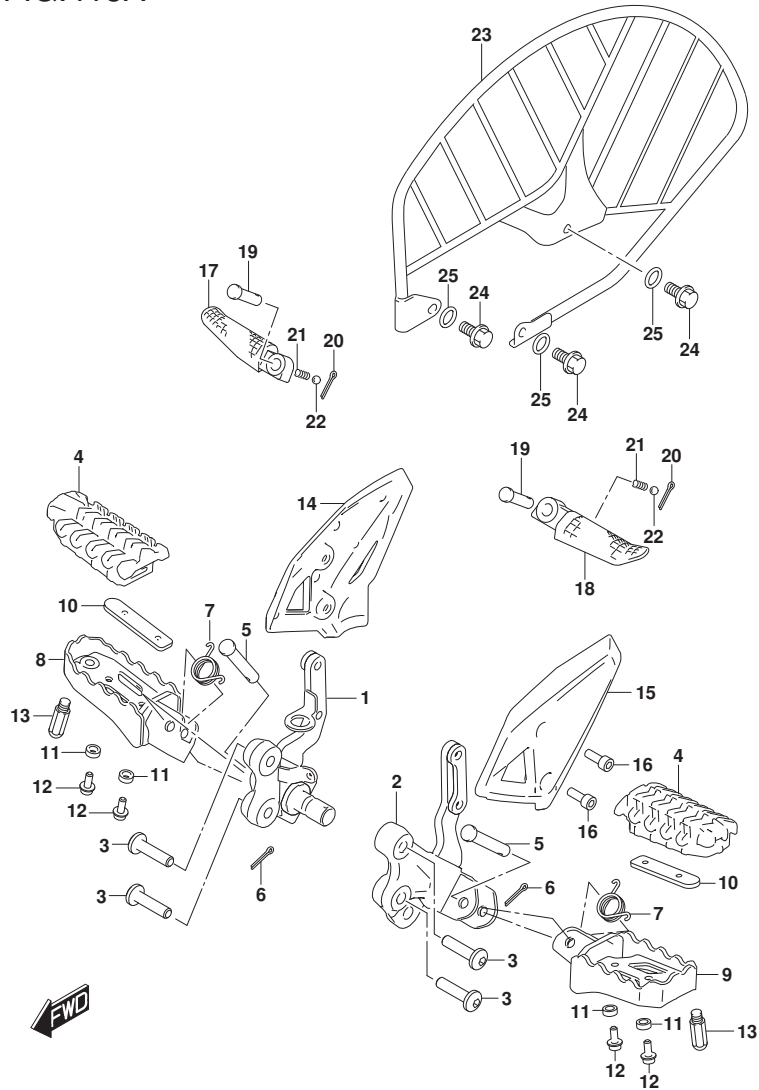


FIG.420A

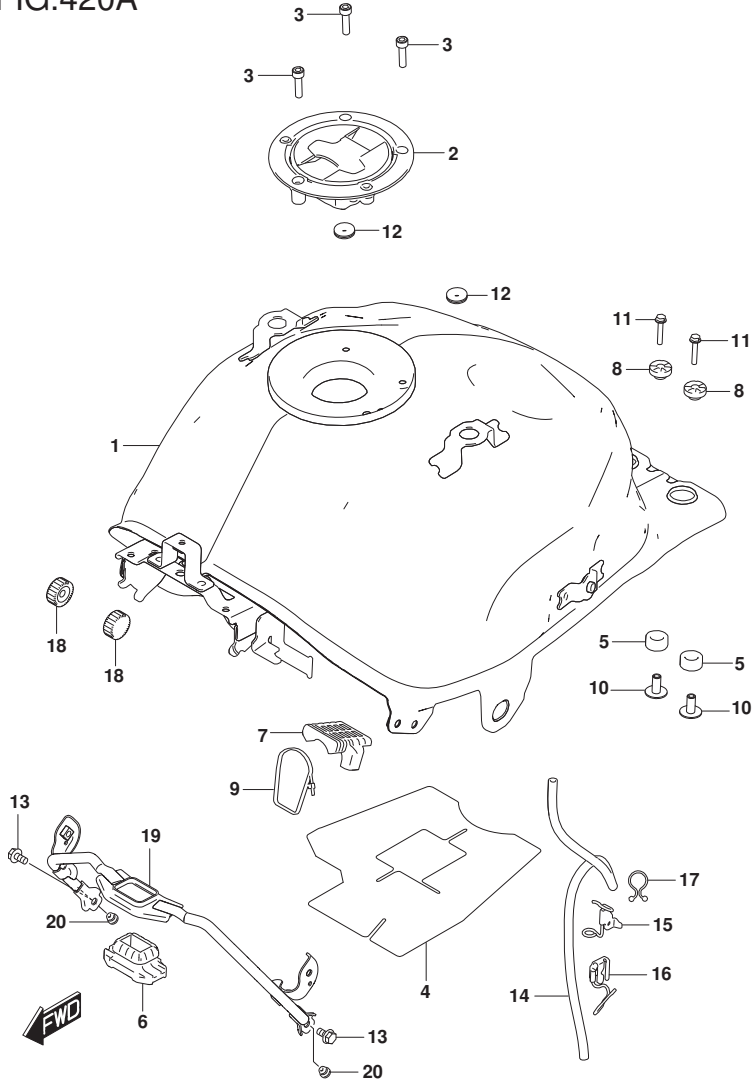


FIG.420A (1-E-5) FUEL TANK

REF NO.	PART NO.	DESCRIPTION	Q'TY	REMARKS
1	44100-20LA0-000	TANK ASSY, FUEL	1	
2	44200-41KB0-000	CAP ASSY, FUEL TANK FILLER	1	
3	09106-05017-000	BOLT (5X20)	3	
4	44271-41K00-000	SHIELD, FUEL TANK HEAT	1	
5	44542-44J00-000	CUSHION, FUEL TANK LWR	2	
6	44542-20L00-000	CUSHION, FUEL TANK FRONT BRACE	1	
7	44541-34J20-000	CUSHION, FUEL TANK CTR	1	
8	44541-44J00-000	CUSHION, FUEL TANK UPR	2	
9	44549-34J00-000	CLAMP, FUEL TANK CUSHION CTR	1	
10	44544-27K00-000	SPACER, FUEL TANK CUSHION	2	
11	01550-0635A-000	BOLT	2	
12	47162-30H00-000	CUSHION (8X26X7)	2	
13	01550-0612A-000	BOLT	2	
14	44423-41K00-000	HOSE, FUEL TANK DRAIN	1	
15	44480-41K00-000	GUIDE, DRAIN HOSE	1	
16	44480-41K20-000	GUIDE, DRAIN HOSE NO.2	1	
17	09408-00343-000	CLAMP	1	
18	44512-44J00-000	CUSHION, FUEL TANK FRONT	2	
19	44520-20L00-000	BRACE, FUEL TANK FRONT	1	
20	44515-34J10-000	CUSHION, FUEL TANK FR BRACE	2	

FIG.423A

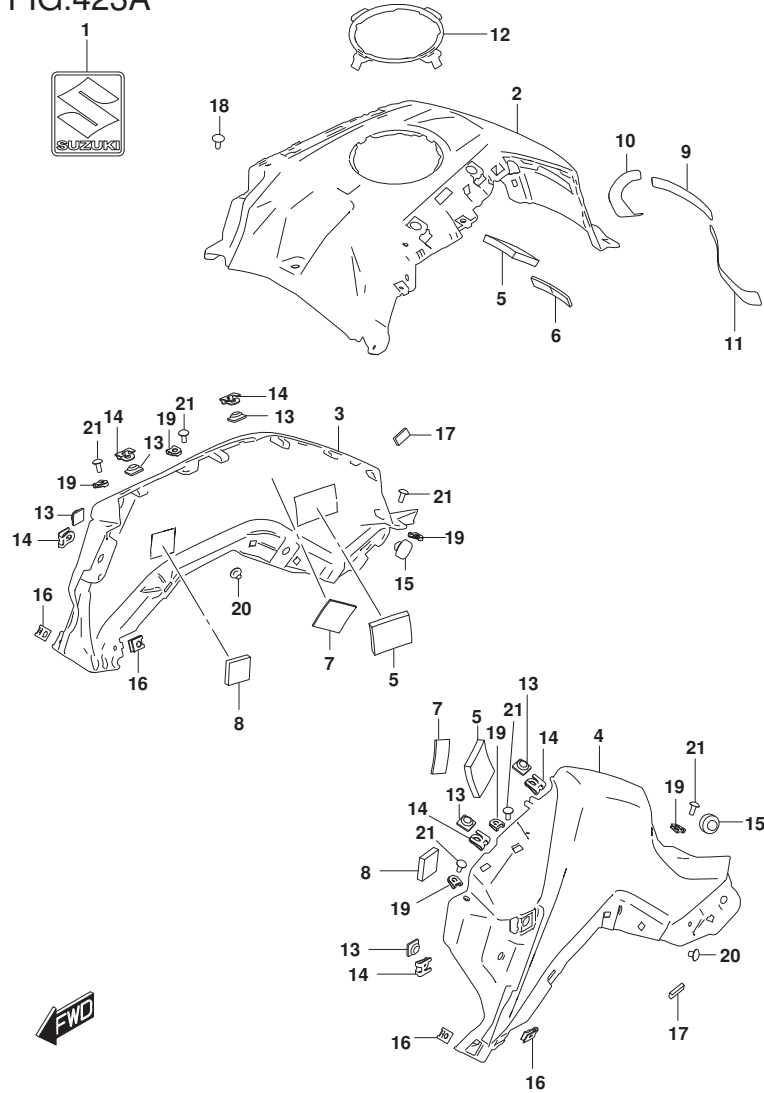


FIG.423A (1-E-6) FUEL TANK COVER

REF NO.	PART NO.	DESCRIPTION	Q'TY	REMARKS
1	68281-44K00-000	EMBLEM, S	1	
2	44171-20L01-YKV	COVER, FUEL TANK CENTER (BLACK)	1	
3	44181-20L01-YVB	COVER, FUEL TANK RH (BLACK)	1	
4	44191-20L01-YVB	COVER, FUEL TANK LH (BLACK)	1	
5	44271-20L00-000	CUSHION, FUEL TANK COV CTR NO.1	3	
6	44272-20L00-000	CUSHION, FUEL TANK COV CTR NO.2	1	
7	44281-20L00-000	CUSHION, TANK COVER SIDE NO.1	2	
8	44282-20L00-000	CUSHION, TANK COVER SIDE NO.2	2	
9	44283-20L00-000	PROTECTOR, TANK COVER CTR	1	
10	44284-20L00-000	PROTECTOR, FUEL TANK COVER RH	1	
11	44285-20L00-000	PROTECTOR, FUEL TANK COVER LH	1	
12	44295-41K00-000	RUBBER, FUEL TANK COVER	1	
13	44523-20L00-000	NUT (M5)	6	
14	44552-20L00-000	CLIP, NUT	6	
15	45148-27K00-000	CUSHION, SEAT MOUNT	2	
16	47349-34J01-000	NUT (M5)	4	
17	63114-41K00-000	CUSHION, FENDER RR FR	2	
18	09139-05096-000	BOLT (5X13)	1	
19	09148-05L04-000	NUT (M5)	6	
20	02142-0608A-000	SCREW	2	
21	03541-0512A-000	SCREW	6	



FIG.445A

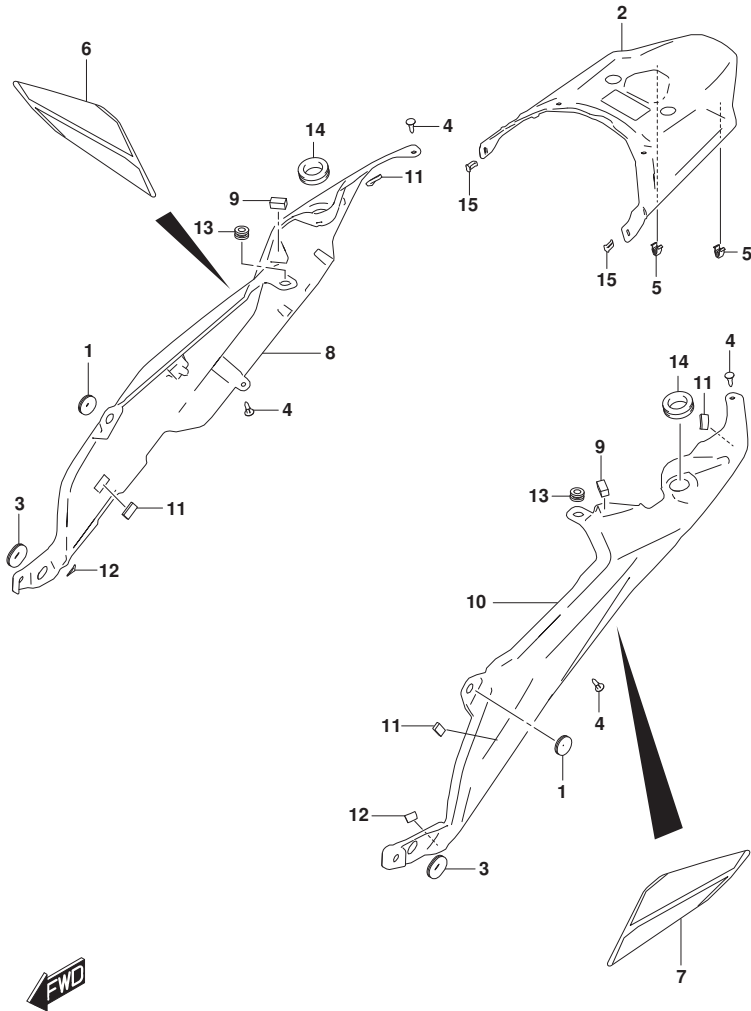


FIG.445A (1-E-8) FRAME COVER

REF NO.	PART NO.	DESCRIPTION	QTY	REMARKS
1	47162-30H00-000	CUSHION (8X26X7)	4	
2	47311-20L00-000	COVER, FRAME CENTER	1	
3	47315-41K00-000	CUSHION (8-14X26-32X7)	2	
4	09409-06L07-000	CLIP	2	
5	09409-08014-000	CLIP	2	
6-1	68135-20L00-CDT	TAPE, FRAME COVER REAR RH	1	BODY COLOR:YU1 FOR YU1
6-2	68135-20L00-CDU	TAPE, FRAME COVER REAR RH	1	BODY COLOR:YVB FOR YVB
6-3	68135-20L00-CWS	TAPE, FRAME COVER REAR RH	1	BODY COLOR:QSB FOR QSB
7-1	68145-20L00-CDT	TAPE, FRAME COVER REAR LH	1	BODY COLOR:YU1 FOR YU1
7-2	68145-20L00-CDU	TAPE, FRAME COVER REAR LH	1	BODY COLOR:YVB FOR YVB
7-3	68145-20L00-CWS	TAPE, FRAME COVER REAR LH	1	BODY COLOR:QSB FOR QSB
8-1	47131-20L00-QSB	COVER, FRAME REAR RH (RED)	1	
8-2	47131-20L00-YU1	COVER, FRAME REAR RH (YELLOW)	1	
8-3	47131-20L00-YVB	COVER, FRAME REAR RH (BLACK)	1	
9	47132-20L00-000	CUSHION (20X10X10)	2	
10-1	47231-20L00-QSB	COVER, FRAME REAR LH (RED)	1	
10-2	47231-20L00-YU1	COVER, FRAME REAR LH (YELLOW)	1	
10-3	47231-20L00-YVB	COVER, FRAME REAR LH (BLACK)	1	
11	63114-41K00-000	CUSHION, FENDER RR FR	4	
12	94433-05J00-000	CUSHION (10X15X1)	2	
13	09320-09016-000	CUSHION (9X18X9.5)	2	
14	09320-20011-000	CUSHION	2	
15	09409-08009-000	CLIP	2	

FIG.446A

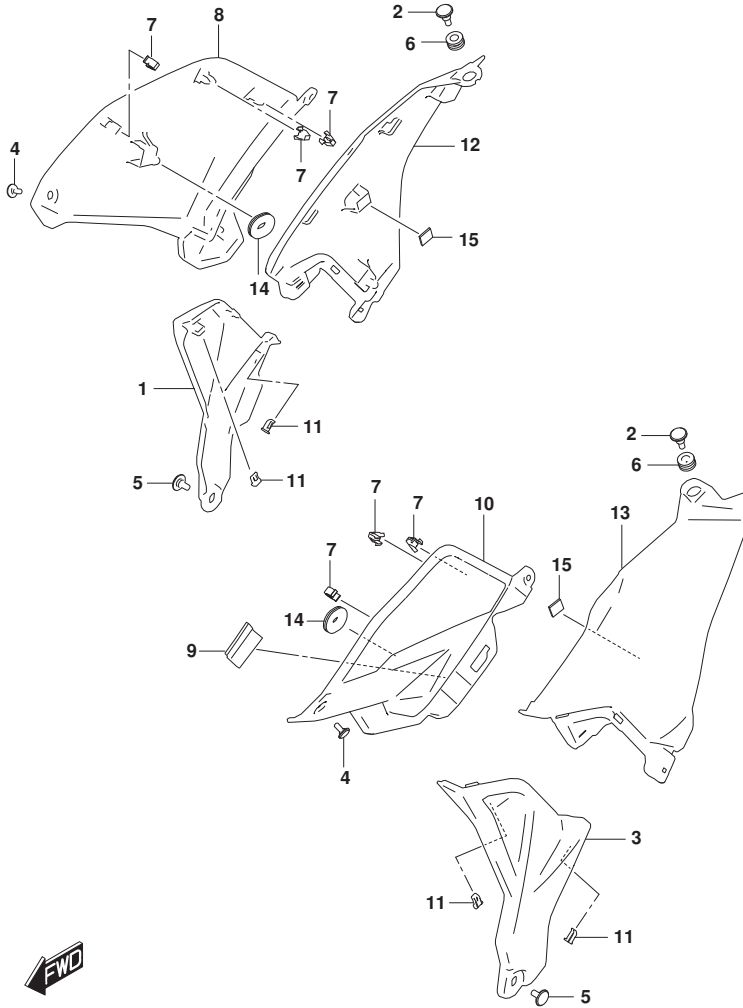


FIG.446A (1-E-9) FRAME LOWER COVER

REF NO.	PART NO.	DESCRIPTION	QTY	REMARKS
1	47111-20L00-YHG	COVER, FRAME RH (GRAY)	1	
2	47123-41K00-000	SCREW (6X20)	2	
3	47211-20L00-YHG	COVER, FRAME LH (GRAY)	1	
4	09139-05092-000	SCREW (5X13)	2	
5	09139-06230-000	SCREW (6X13)	2	
6	09320-09016-000	CUSHION (9X18X9.5)	4	
7	09409-08014-000	CLIP	8	
8	47121-20L00-000	COVER, FRAME FRONT RH	1	
9	47122-20L00-000	CUSHION (40X40X3)	1	
10	47221-20L00-000	COVER, FRAME FRONT LH	1	
11	09409-08009-000	CLIP	6	
12	47112-20L00-000	COVER, FRAME UPPER RH	1	
13	47212-20L00-000	COVER, FRAME UPPER LH	1	
14	47315-41K00-000	CUSHION (8-14X26-32X7)	4	
15	94642-10GA0-000	CUSHION (15X15X2)	2	

FIG.460A

FIG.460A (1-E-10) FRONT FENDER

REF NO.	PART NO.	DESCRIPTION	QTY	REMARKS
1	47123-41K00-000	SCREW (6X20)	2	
2	47161-23J00-000	CUSHION (10X22X7)	2	
3	53111-20L00-000	FENDER, FRONT	1	
4	53275-34J00-000	SPACER, FR FENDER	2	
5	09160-06060-000	WASHER (6.5X20X1.2)	2	
6	09160-09015-000	WASHER (9X19X1.0)	2	
7	09320-09016-000	CUSHION (9X18X9.5)	2	
8	01550-0620A-000	BOLT	2	

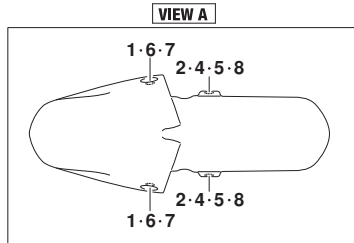
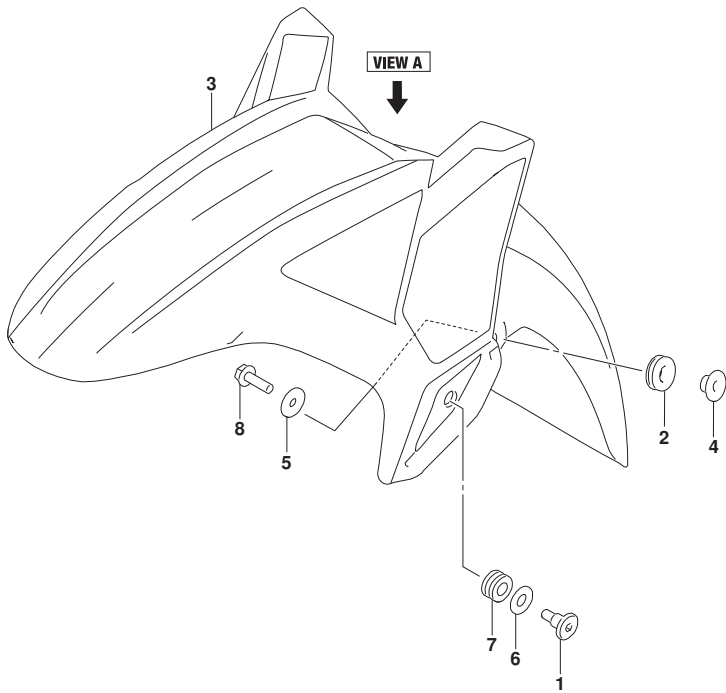


FIG.462A

FIG.462A (1-E-11) HANDLEBAR

REF NO.	PART NO.	DESCRIPTION	Q'TY	REMARKS
1	56110-20L00-000	HANDLEBAR	1	
2	56278-20L00-000	BALANCER, HANDLEBAR	2	
3	57346-41KA0-000	SPACER, KNUCKLE COVER	2	
4	07130-0655B-000	BOLT	2	

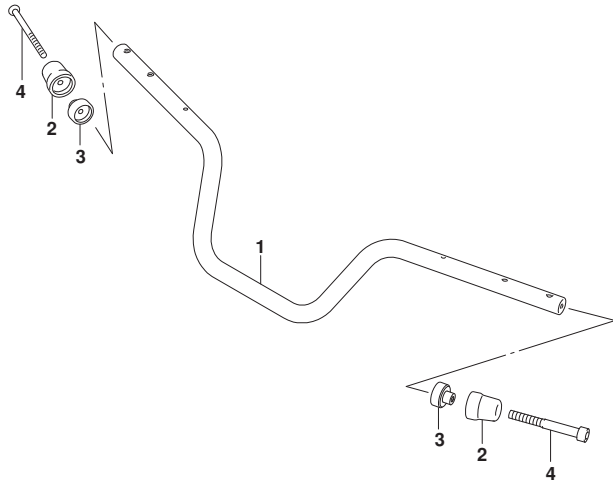


FIG.464A

FIG.464A (1-E-12) REAR VIEW MIRROR

REF NO.	PART NO.	DESCRIPTION	Q'TY	REMARKS
1	56500-34JB0-000	MIRROR ASSY, REAR VIEW RH	1	
2	56600-34JB0-000	MIRROR ASSY, REAR VIEW LH	1	

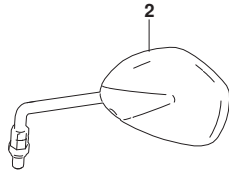
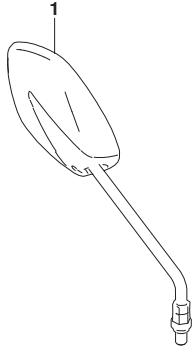


FIG.466A

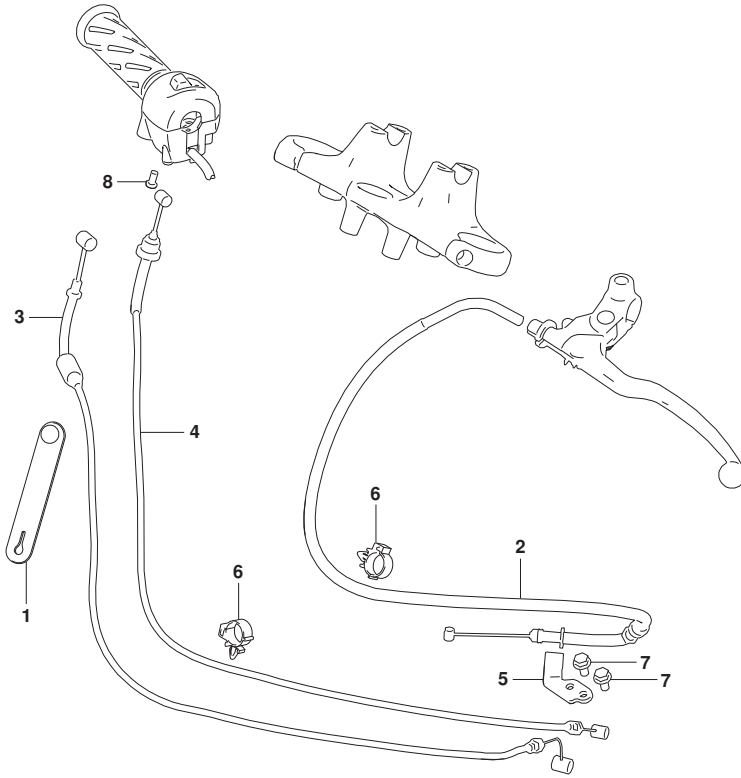


FIG.466A (1-E-13) CONTROL CABLE

REF NO.	PART NO.	DESCRIPTION	Q'TY	REMARKS
1	36990-20L10-000	CLAMP	1	
2	58200-20L00-000	CABLE ASSY, CLUTCH	1	
3	58300-20L00-000	CABLE ASSY, THROTTLE NO.1	1	
4	58300-20L10-000	CABLE ASSY, THROTTLE NO.2	1	
5	58634-41K10-000	STOPPER, CLUTCH CABLE	1	
6	09403-18409-000	CLAMP	2	
7	01550-0612A-000	BOLT	2	
8	02112-0510B-000	SCREW	1	

FIG.467A

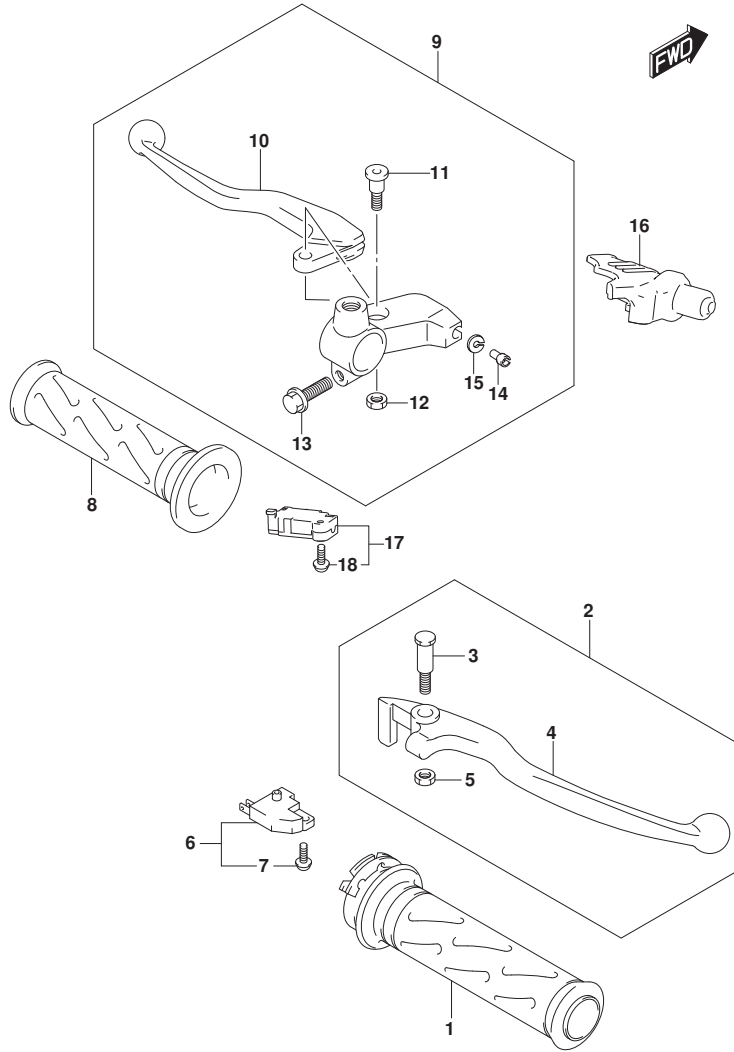


FIG.467A (1-E-14) HANDLE LEVER

REF NO.	PART NO.	DESCRIPTION	Q'TY	REMARKS
1	57110-30H11-000	GRIP, THROTTLE	1	
2	57300-41K00-000	LEVER ASSY, BRAKE	1	
3	57431-30H20-000	.BOLT, BRAKE LEVER PIVOT	1	
4	57421-41K00-000	.LEVER, BRAKE	1	
5	57433-30H10-000	.NUT, BRAKE LEVER PIVOT	1	
6	57460-30H00-000	SWITCH ASSY, FR BRAKE	1	
7	57465-30H00-000	.SCREW	1	
8	57211-22D12-000	GRIP LH	1	
9	57500-41K00-000	LEVER ASSY, CLUTCH	1	
10	57621-41K00-000	.LEVER, CLUTCH	1	
11	57431-41K00-000	.BOLT, CLUTCH LEVER PIVOT	1	
12	08319-2106A-000	.NUT	1	
13	01547-0620B-000	.BOLT	1	
14	57441-41K00-000	.ADJUSTER, CLUTCH CABLE	1	
15	57442-41K00-000	.NUT, LOCK	1	
16	57661-41K00-000	COVER, CLUTCH LEVER	1	
17	37560-41K00-000	SWITCH ASSY, CLUTCH	1	
18	37562-41K00-000	.SCREW, CLUTCH SWITCH	1	

FIG.472A

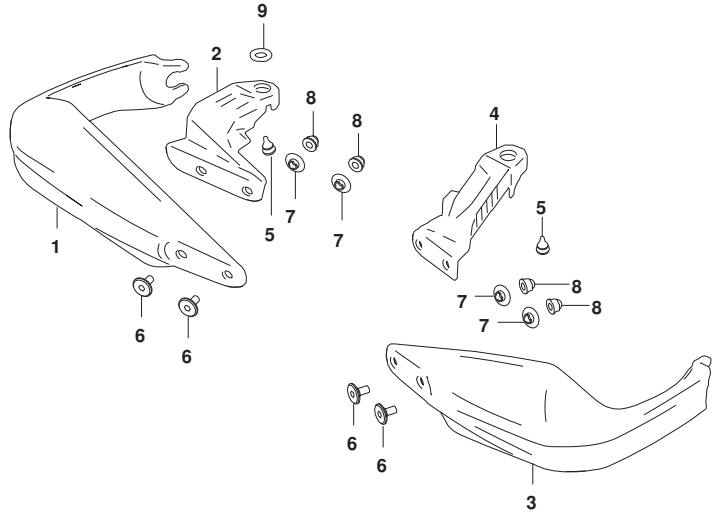


FIG.472A (1-F-2) KNUCKLE COVER

REF NO.	PART NO.	DESCRIPTION	Q'TY	REMARKS
1	57341-41KB0-000	COVER, KNUCKLE RH	1	
2	57472-20L00-000	BRACKET, KNUCKLE COVER RH	1	
3	57541-41KB0-000	COVER, KNUCKLE LH	1	
4	57672-20L00-000	BRACKET, KNUCKLE COVER LH	1	
5	63118-41K00-000	PLUG, REAR FENDER	2	
6	09139-06230-000	SCREW (6X13)	4	
7	09169-06099-000	WASHER	4	
8	08313-2006B-000	NUT	4	
9	08322-0110A-000	WASHER	1	



FIG.474A

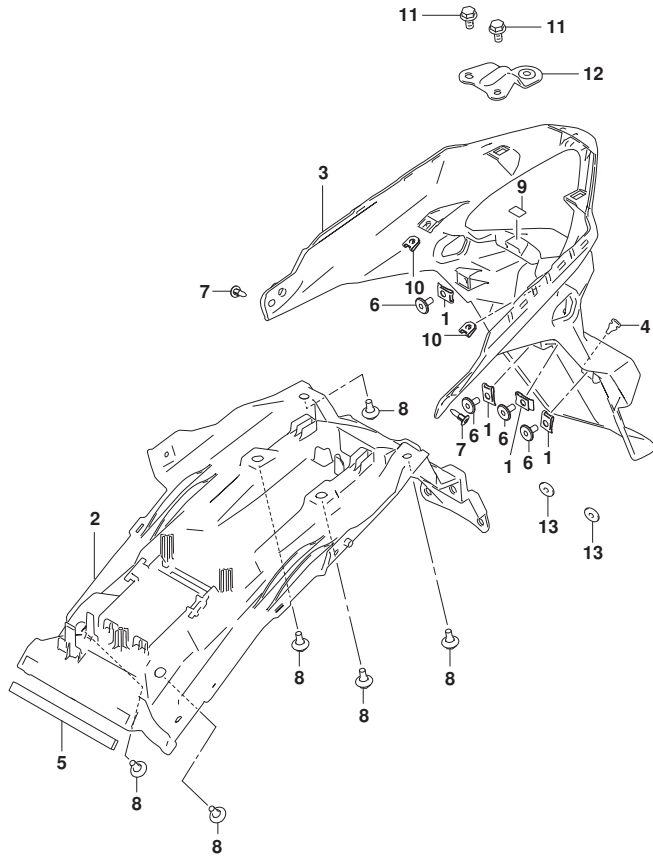


FIG.474A (1-F-3) REAR FENDER

REF NO.	PART NO.	DESCRIPTION	QTY	REMARKS
1	35157-34J00-000	NUT (M6)	4	
2	63111-20L00-000	FENDER, REAR FRONT	1	
3	63112-20L00-000	FENDER, REAR REAR	1	
4	63118-41K00-000	PLUG, REAR FENDER	1	
5	63191-34J00-000	CUSHION, REAR FENDER	1	
6	09139-06230-000	SCREW (6X13)	4	
7	09409-06L07-000	CLIP	2	
8	09111-06102-000	BOLT (6X14.8)	6	
9	94433-05J00-000	CUSHION (10X15X1)	1	
10	09148-05060-000	NUT (M5)	2	
11	47410-20L00-000	BRACKET, REAR COMB LAMP	1	
12	01550-0612A-000	BOLT	2	
13	08322-0105A-000	WASHER	2	



FIG.481A

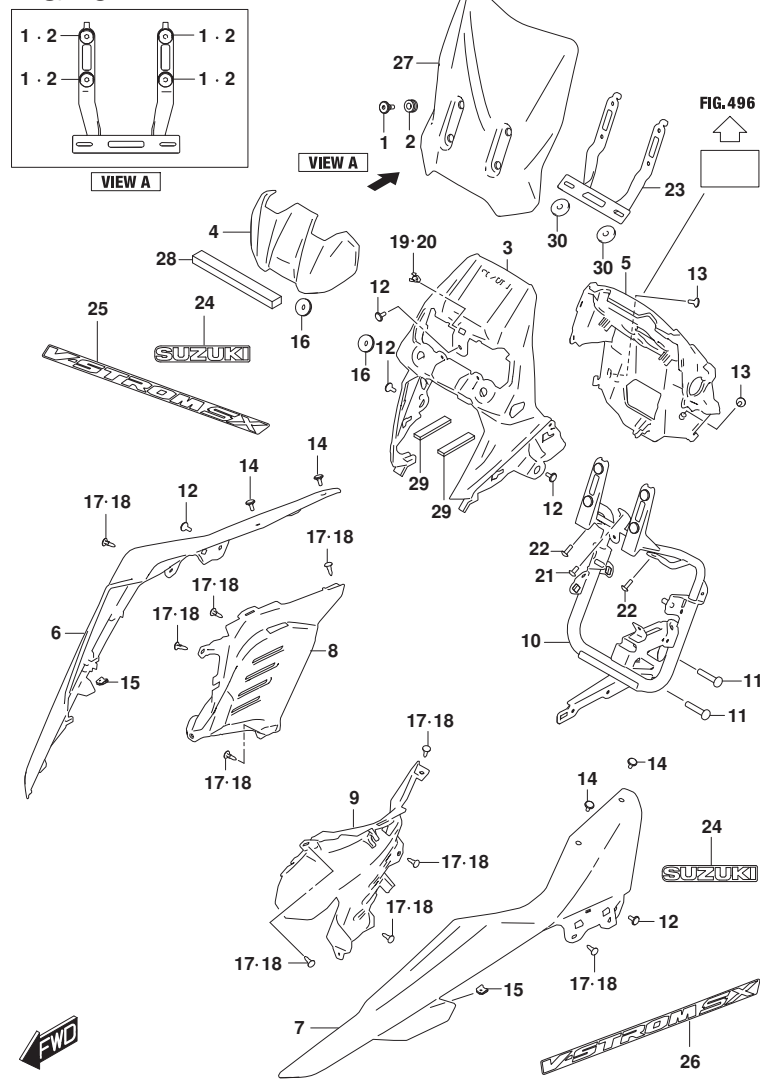


FIG.481A (1-F-4) COWLING BODY

REF NO.	PART NO.	DESCRIPTION	QTY	REMARKS
1	09139-06242-000	SCREW	4	
2	09320-09016-000	CUSHION (9X18X9.5)	4	
3	94411-20L00-000	COWLING, BODY	1	
4	94412-20L00-291	COWLING, BODY UPPER (BLACK)	1	
5	94414-20L00-000	COVER, METER	1	
6-1	94421-20L11-QSB	COWLING, SIDE UPPER RH (RED)	1	BODY COLOR:QSB
6-2	94421-20L11-YU1	COWLING, SIDE UPPER RH (YELLOW)	1	BODY COLOR:YU1
6-3	94421-20L11-YVB	COWLING, SIDE UPPER RH (BLACK)	1	BODY COLOR:YVB
7-1	94431-20L11-QSB	COWLING, SIDE UPPER LH (RED)	1	BODY COLOR:QSB
7-2	94431-20L11-YU1	COWLING, SIDE UPPER LH (YELLOW)	1	BODY COLOR:YU1
7-3	94431-20L11-YVB	COWLING, SIDE UPPER LH (BLACK)	1	BODY COLOR:YVB
8	94471-20L00-000	COWLING, INNER RH	1	
9	94481-20L00-000	COWLING, INNER LH	1	
10	94510-20L00-000	BRACE, COWLING	1	
11	94621-34J10-000	BOLT, BRACE COWLING	2	
12	09139-05091-000	SCREW (5X13)	5	
13	09139-05092-000	SCREW (5X13)	2	
14	09139-05096-000	BOLT (5X13)	4	
15	09148-05060-000	NUT (M5)	2	
16	09320-08018-000	CUSHION (8X26X7)	2	
17	09409-06L07-000	CLIP	12	
18	09409-06346-000	CLIP	12	
19	09409-08L09-000	CLIP	4	
20	09409-08014-000	CLIP	4	
21	03541-0512A-000	SCREW	1	
22	03541-0516A-000	SCREW	2	
23	94590-20L00-000	BRACKET, FRONT LICENSE	1	
24-1	68181-20L00-AJM	EMBLEM, SUZUKI (BLACK/GRAY)	2	BODY COLOR:YVB FOR YVB
24-2	68181-20L00-CWT	EMBLEM, SUZUKI (WHITE/RED)	2	BODY COLOR:QSB FOR QSB
24-3	68181-20L00-GY8	EMBLEM, SUZUKI (YELLOW/BLACK)	2	BODY COLOR:YU1 FOR YU1

FIG.481A

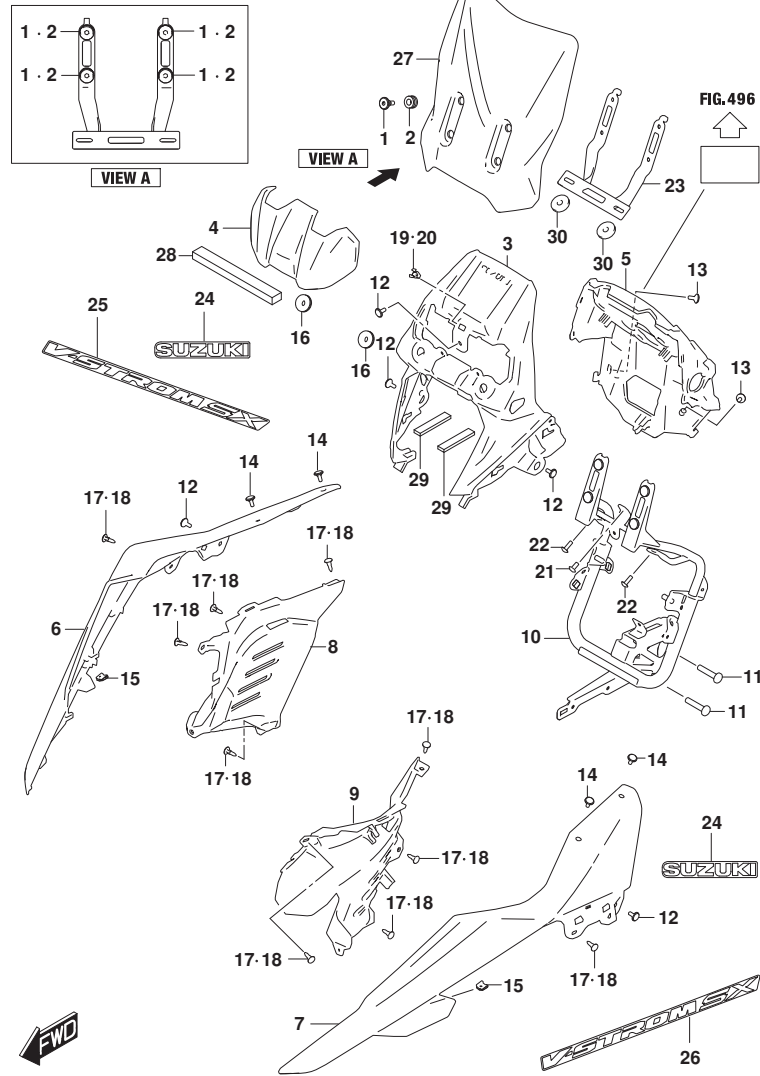


FIG.481A (1-F-5) COWLING BODY

REF NO.	PART NO.	DESCRIPTION	Q'TY	REMARKS
25-1	68182-20L00-CDU	EMBLEM, SIDE COWL RH	1	BODY COLOR:YVB FOR YVB
25-2	68182-20L00-CDW	EMBLEM, SIDE COWL RH	1	BODY COLOR:YU1 FOR QSB
25-3	68182-20L00-CWS	EMBLEM, SIDE COWL RH	1	BODY COLOR:QSB FOR YU1
26-1	68192-20L00-CDU	EMBLEM, SIDE COWL LH	1	BODY COLOR:YVB FOR YVB
26-2	68192-20L00-CDW	EMBLEM, SIDE COWL LH	1	BODY COLOR:YU1 FOR QSB
26-3	68192-20L00-CWS	EMBLEM, SIDE COWL LH	1	BODY COLOR:QSB FOR YU1
27	94611-20L00-000	WINDSCREEN	1	
28	94416-20L00-000	CUSHION (130X10X15)	1	
29	94417-20L00-000	CUSHION	2	
30	08322-0105A-000	WASHER	2	

FIG.483A

FIG.483A (1-F-6) UNDER COWLING

REF NO.	PART NO.	DESCRIPTION	Q'TY	REMARKS
1	94570-20L00-000	BRACKET, UNDER COWL NO.1	1	
2	94580-20L00-000	BRACKET, UNDER COWL NO.2	1	
3	01550-0620A-000	BOLT	2	
4	94460-20L00-000	COWLING, UNDER	1	
5	09103-06553-000	BOLT	1	
6	09139-06205-000	SCREW	4	
7	09160-06152-000	WASHER (6.5X20X1.2)	2	
8	09180-06382-000	SPACER	4	
9	09320-10078-000	CUSHION (10X20X10)	4	
10	08319-3106B-000	NUT	1	

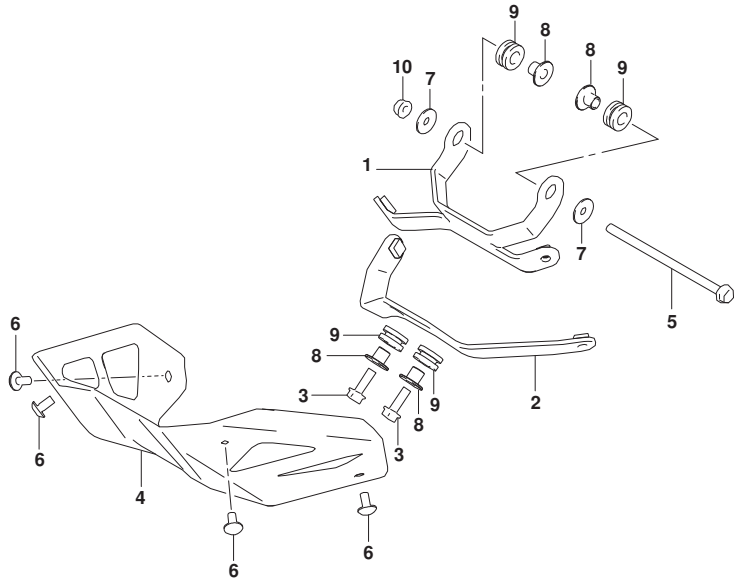


FIG.485A

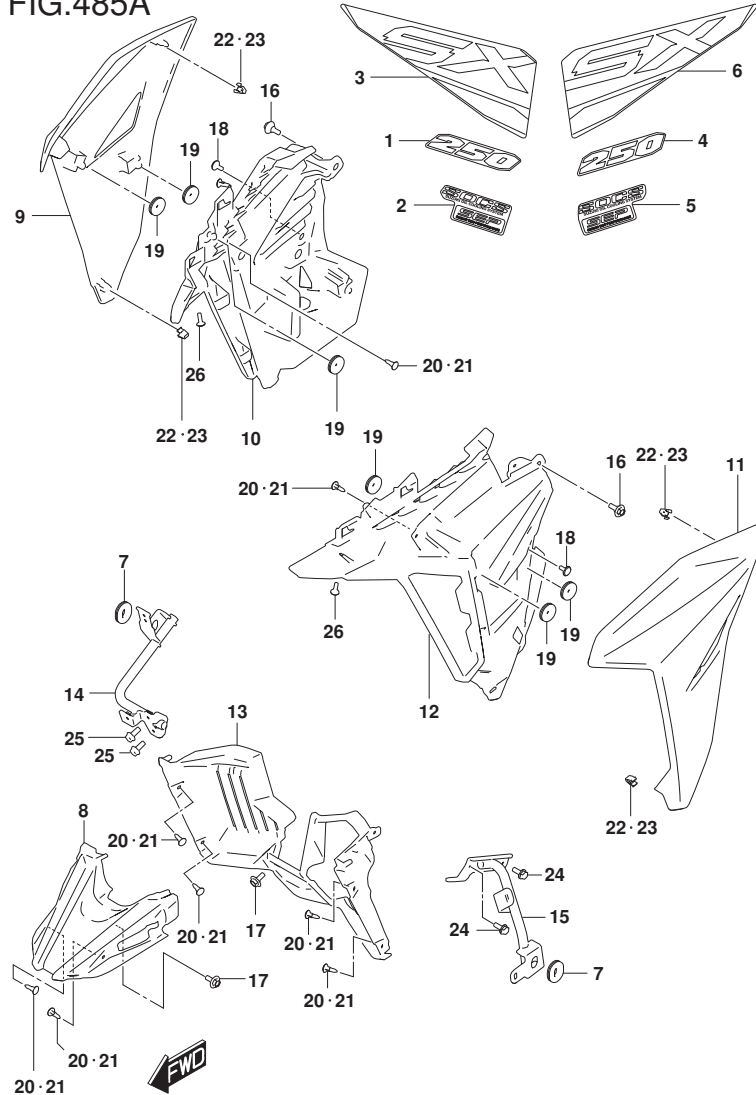
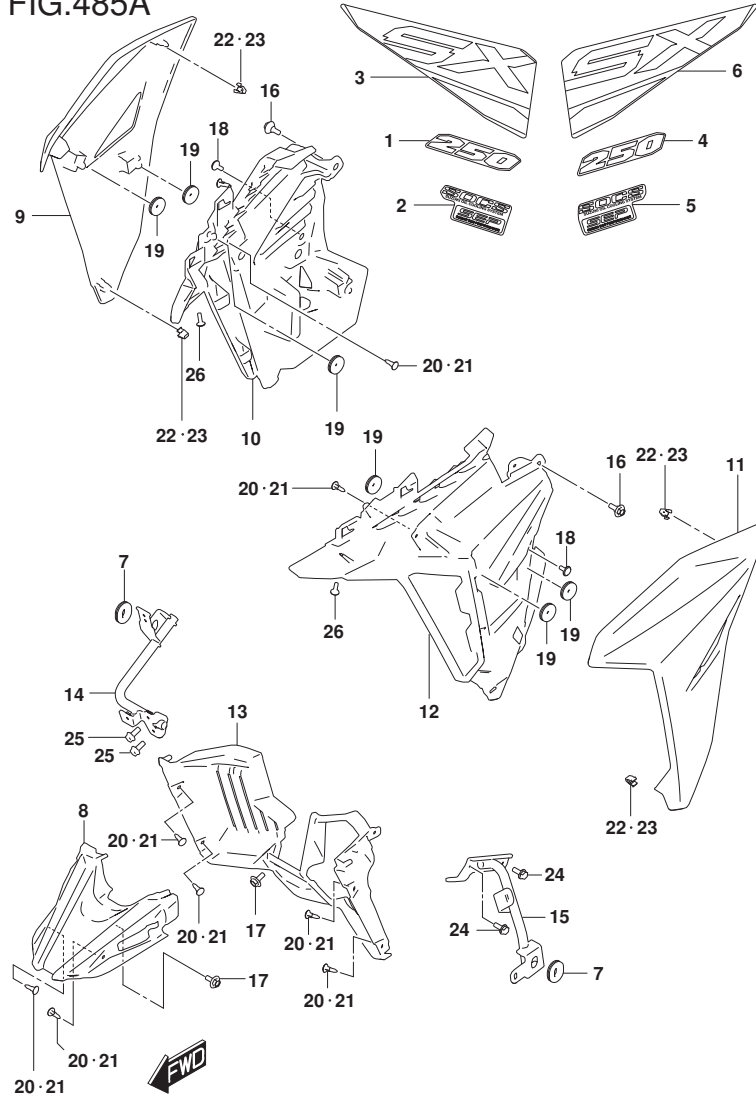


FIG.485A (1-F-7) SIDE COWLING

REF NO.	PART NO.	DESCRIPTION	QTY	REMARKS
1-1	68183-20L00-CDZ	EMBLEM, SIDE COVER NO.1 RH (BLUE/YELLOW)	1	BODY COLOR:YU1 FOR YU1
1-2	68183-20L00-CWT	EMBLEM, SIDE COVER NO.1 RH (WHITE/RED)	1	BODY COLOR:QSB FOR QSB
1-3	68183-20L00-JSP	EMBLEM, SIDE COVER NO.1 RH (BLACK/RED)	1	BODY COLOR:YVB FOR YVB
2-1	68184-20L00-AA3	EMBLEM, SIDE COVER NO.2 RH (GRAY/BLACK)	1	BODY COLOR:YVB FOR YVB
2-2	68184-20L00-CD1	EMBLEM, SIDE COVER NO.2 RH (SILVER/YELLOW)	1	BODY COLOR:YU1 FOR YU1
2-3	68184-20L00-CWT	EMBLEM, SIDE COVER NO.2 RH (WHITE/RED)	1	BODY COLOR:QSB FOR QSB
3-1	68185-20L00-CDT	TAPE, SIDE COVER RH	1	BODY COLOR:YU1 FOR YU1
3-2	68185-20L00-CDU	TAPE, SIDE COVER RH	1	BODY COLOR:YVB FOR QSB
3-3	68185-20L00-CWS	TAPE, SIDE COVER RH	1	BODY COLOR:QSB FOR YVB
4-1	68193-20L00-CDZ	EMBLEM, SIDE COVER NO.1 LH (BLUE/YELLOW)	1	BODY COLOR:YU1 FOR YU1
4-2	68193-20L00-CWT	EMBLEM, SIDE COVER NO.1 LH (WHITE/RED)	1	BODY COLOR:QSB FOR QSB
4-3	68193-20L00-JSP	EMBLEM, SIDE COVER NO.1 LH (BLACK/RED)	1	BODY COLOR:YVB FOR YVB
5-1	68194-20L00-AA3	EMBLEM, SIDE COVER NO.2 LH (GRAY/BLACK)	1	BODY COLOR:YVB FOR YVB
5-2	68194-20L00-CD1	EMBLEM, SIDE COVER NO.2 LH (SILVER/YELLOW)	1	BODY COLOR:YU1 FOR YU1
5-3	68194-20L00-CWT	EMBLEM, SIDE COVER NO.2 LH (WHITE/RED)	1	BODY COLOR:QSB FOR QSB
6-1	68195-20L00-CDT	TAPE, SIDE COVER LH	1	BODY COLOR:YU1 FOR YU1
6-2	68195-20L00-CDU	TAPE, SIDE COVER LH	1	BODY COLOR:YVB FOR YVB
6-3	68195-20L00-CWS	TAPE, SIDE COVER LH	1	BODY COLOR:QSB FOR QSB

FIG.485A



DS250M5\_P74\_485A  
SIDE COWLING

FIG.485A (1-F-8) SIDE COWLING

REF NO.	PART NO.	DESCRIPTION	Q'TY	REMARKS
7	47315-41K00-000	CUSHION (8-14X26-32X7)	2	
8	94413-20L00-000	COWLING, BODY CTR	1	
9-1	94441-20L00-QSB	COVER, SIDE RH (RED)	1	BODY COLOR:QSB
9-2	94441-20L00-YU1	COVER, SIDE RH (YELLOW)	1	BODY COLOR:YU1
9-3	94441-20L00-YVB	COVER, SIDE RH (BLACK)	1	BODY COLOR:YVB
10	94442-20L00-000	COVER, SIDE INNER RH	1	
11-1	94451-20L00-QSB	COVER, SIDE LH (RED)	1	BODY COLOR:QSB
11-2	94451-20L00-YU1	COVER, SIDE LH (YELLOW)	1	BODY COLOR:YU1
11-3	94451-20L00-YVB	COVER, SIDE LH (BLACK)	1	BODY COLOR:YVB
12	94452-20L00-000	COVER, SIDE INNER LH	1	
13	94491-20L00-000	COWLING, INNER CTR	1	
14	94530-20L00-000	BRACKET, SIDE COWL RH	1	
15	94540-20L00-000	BRACKET, SIDE COWL LH	1	
16	09111-06072-000	BOLT (6X17.8)	2	
17	09111-06102-000	BOLT (6X14.8)	2	
18	09139-05091-000	SCREW (5X13)	2	
19	09320-08018-000	CUSHION (8X26X7)	6	
20	09409-06L07-000	CLIP	8	
21	09409-06346-000	CLIP	8	
22	09409-08L09-000	CLIP	4	
23	09409-08014-000	CLIP	4	
24	01550-0616A-000	BOLT	2	
25	01550-0616B-000	BOLT	2	
26	03541-0516A-000	SCREW	2	

DS250M5\_P74

FIG.496A

FIG.496A (1-F-9) LABEL

REF NO.	PART NO.	DESCRIPTION	Q'TY	REMARKS
1	68319-39J00-000	LABEL, GENERAL WARNING	1	
2	68332-20L00-000	LABEL, TIRE INFORMATION	1	
3	11959-10L80-000	LABEL, GASOLINE	1	

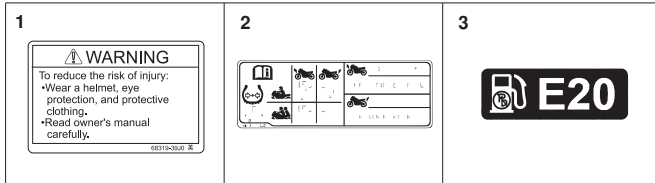
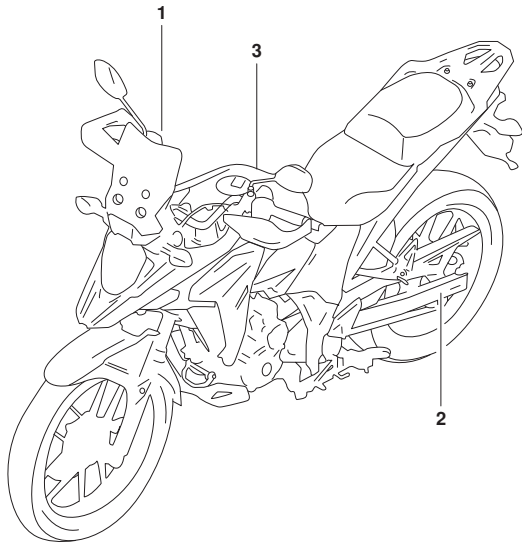


FIG.497A

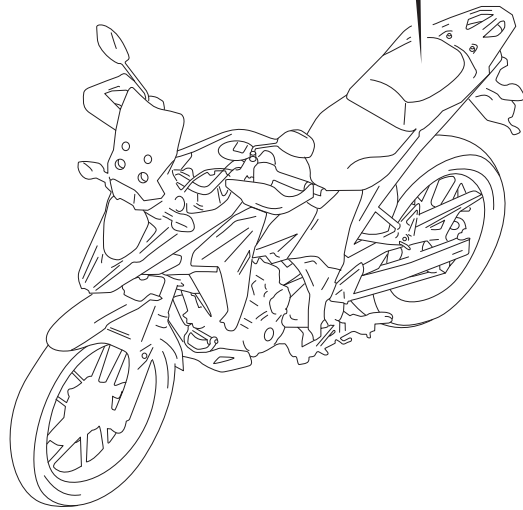
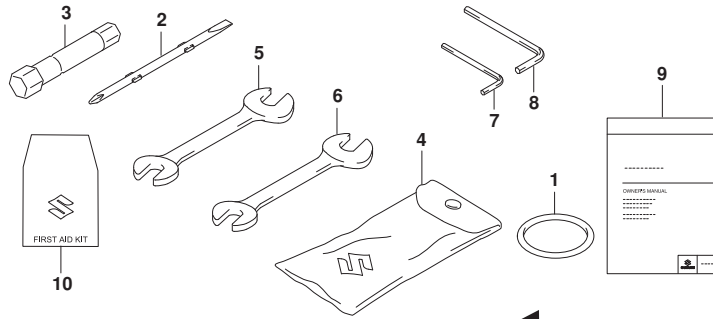


FIG.497A (1-F-10) MANUAL/TOOLS

REF NO.	PART NO.	DESCRIPTION	QTY	REMARKS
1	47435-34J00-000	BAND, TOOL	1	
2	96412-33G50-000	DRIVER (+,-)	1	
3	96414-33G50-000	SPANNER, BOX (16)	1	
4	96511-20L00-000	BAG, TOOL	1	
5	96513-23J00-000	SPANNER, OPEN (10X12)	1	
6	96513-23J10-000	SPANNER, OPEN (14X17)	1	
7	96514-23J00-000	SPANNER, HEXAGON (4)	1	
8	96514-23J10-000	SPANNER, HEXAGON (5)	1	
9	99011-20L10-74A	MANUAL, OWNER'S	1	
10	94990-28G22-000	SET, FIRST AID	1	

FIG.505A

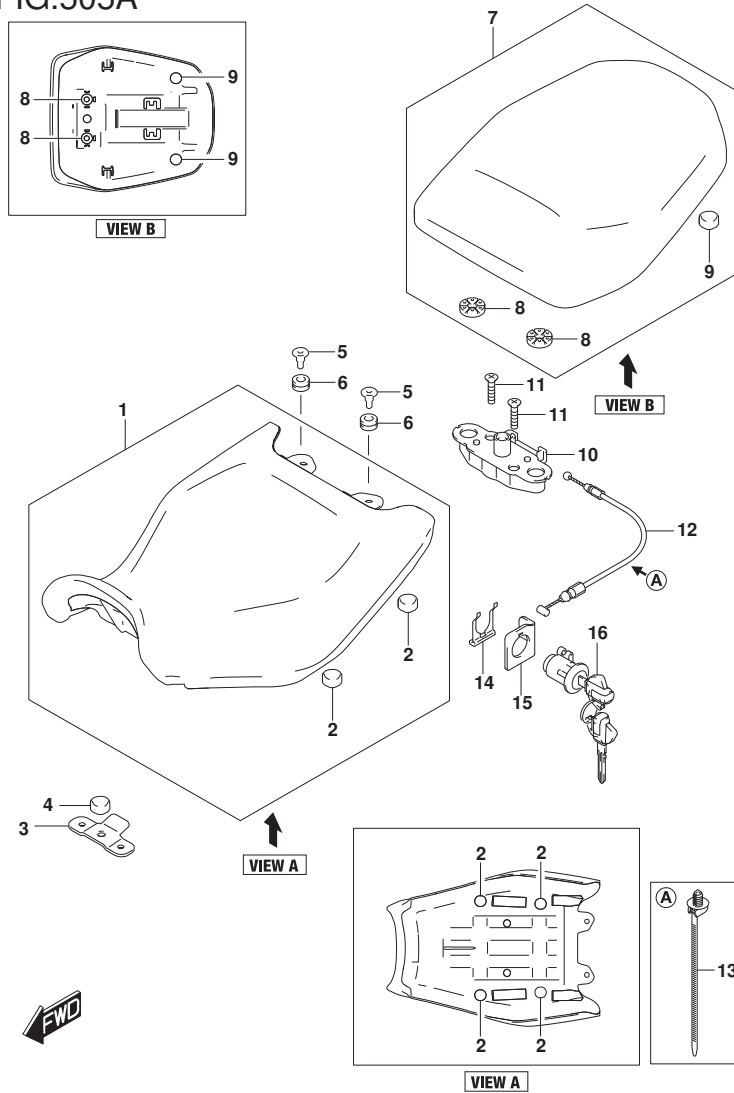


FIG.505A (1-F-11) SEAT

REF NO.	PART NO.	DESCRIPTION	Q'TY	REMARKS
1	45100-20L00-QV4	SEAT ASSY (BLACK)	1	
2	45148-27K00-000	.CUSHION, SEAT MOUNT	4	
3	45316-41K00-000	BRACKET, SEAT FRONT	1	
4	45148-27K00-000	CUSHION, SEAT MOUNT	1	
5	09139-06241-000	BOLT (M6X23)	2	
6	09320-09016-000	CUSHION (9X18X9.5)	2	
7	45300-20L00-CDC	SEAT ASSY, PILLION (BLACK/GRAY)	1	
8	45213-28G20-000	.CUSHION, SEAT LOCK STRIKER	2	
9	45148-27K00-000	.CUSHION, SEAT MOUNT	2	
10	45220-28G21-000	BRACKET, SEAT SUPPORT	1	
11	02122-0630A-000	SCREW	2	
12	45280-20L00-000	CABLE, SEAT LOCK	1	
13	09407-17403-000	CLAMP (L:170)	1	
14	45289-11F00-000	PLATE, SEAT LOCK ASSY	1	
15	45288-20L00-000	GUIDE, SEAT LOCK CABLE	1	
16	95700-09G60-000	LOCK ASSY, SEAT	1	

FIG.521A

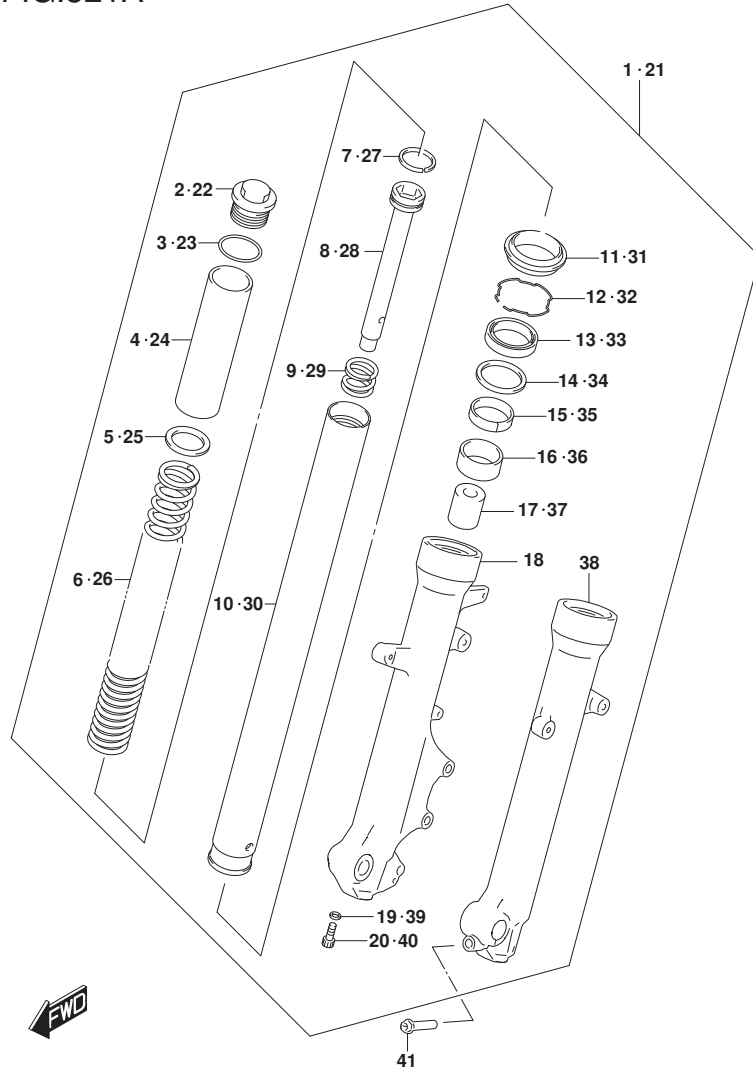


FIG.521A (1-F-12) FRONT FORK DAMPER

REF NO.	PART NO.	DESCRIPTION	Q'TY	REMARKS
1	51103-20L00-291	DAMPER ASSY, FR FORK RH (BLACK)	1	
2	51113-27K00-000	.BOLT	1	
3	51181-34J00-000	.O RING	1	
4	51176-20L00-000	.SPACER, SPRING UPPER	1	
5	51172-34J00-000	.WASHER	1	
6	51171-20L00-000	.SPRING	1	
7	51196-34J00-000	.RING, PISTON	1	
8	51146-20L00-000	.CYLINDER	1	
9	51177-34J00-000	.SPRING, REBOUND	1	
10	51110-20L00-000	.TUBE, INNER	1	
11	51173-34J00-000	.SEAL, DUST	1	
12	51156-34J00-000	.RING, SNAP	1	
13	51153-34J00-000	.OIL SEAL	1	
14	51158-34J00-000	.WASHER	1	
15	51167-34J00-000	.METAL, SLIDE	1	
16	51121-34J00-000	.BUSH, SLIDE	1	
17	51195-34J00-000	.PIECE, OIL LOCK	1	
18	51131-20L00-291	.TUBE, OUTER RH (BLACK)	1	
19	51148-34J00-000	.GASKET LOWER	1	
20	51147-41K00-000	.BOLT	1	
21	51104-20L00-291	DAMPER ASSY, FR FORK LH (BLACK)	1	
22	51113-27K00-000	.BOLT	1	
23	51181-34J00-000	.O RING	1	
24	51176-20L00-000	.SPACER, SPRING UPPER	1	
25	51172-34J00-000	.WASHER	1	
26	51171-20L00-000	.SPRING	1	
27	51196-34J00-000	.RING, PISTON	1	
28	51146-20L00-000	.CYLINDER	1	
29	51177-34J00-000	.SPRING, REBOUND	1	
30	51110-20L00-000	.TUBE, INNER	1	
31	51173-34J00-000	.SEAL, DUST	1	
32	51156-34J00-000	.RING, SNAP	1	
33	51153-34J00-000	.OIL SEAL	1	
34	51158-34J00-000	.WASHER	1	

FIG.521A

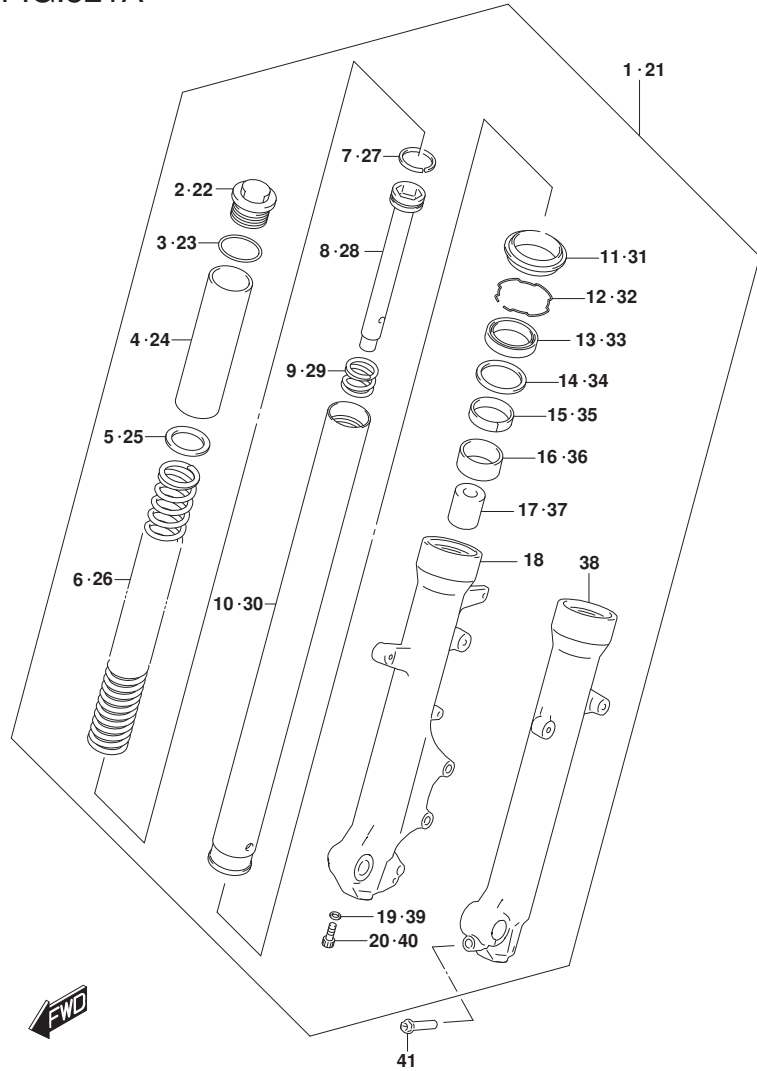


FIG.521A (1-F-13) FRONT FORK DAMPER

REF NO.	PART NO.	DESCRIPTION	QTY	REMARKS
35	51167-34J00-000	.METAL, SLIDE	1	
36	51121-34J00-000	.BUSH, SLIDE	1	
37	51195-34J00-000	.PIECE, OIL LOCK	1	
38	51141-20L00-291	.TUBE, OUTER LH (BLACK)	1	
39	51148-34J00-000	.GASKET LOWER	1	
40	51147-41K00-000	.BOLT	1	
41	51147-34J00-000	BOLT	1	

FIG.524A

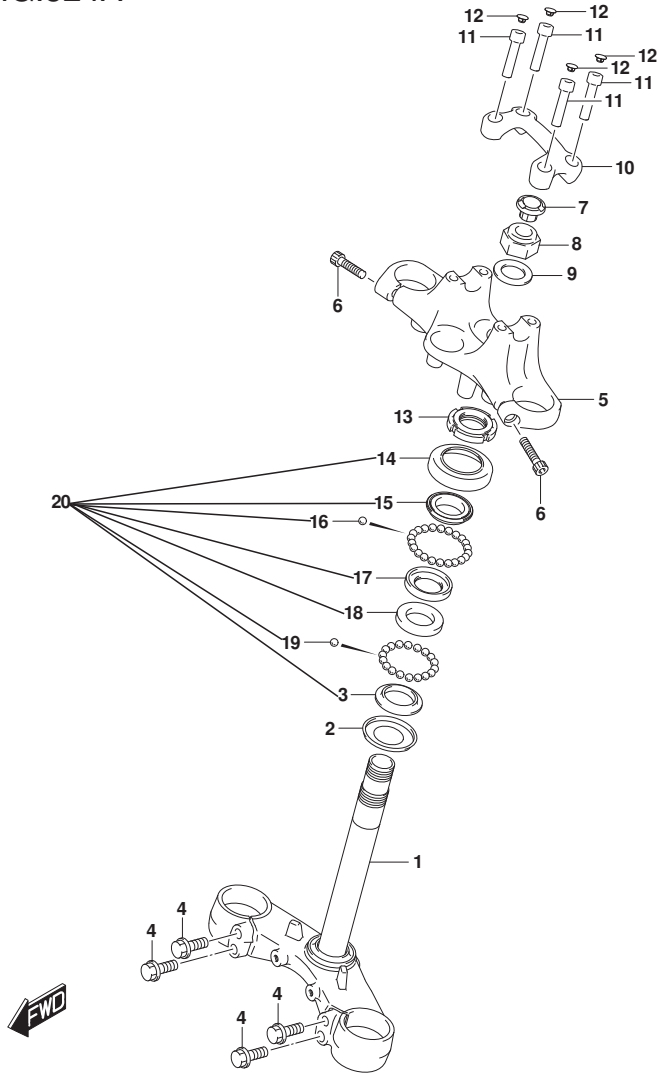


FIG.524A (1-F-14) STEERING STEM

REF NO.	PART NO.	DESCRIPTION	Q'TY	REMARKS
1	51410-20L00-000	BRACKET, FR FORK LOWER	1	
2	51644-41K00-000	SEAL, STEERING LOWER	1	
3	51622-41K00-000	RACE, STEERING OUTER LWR	1	
4	51434-41K00-000	BOLT, FR FORK LOWER BRACKET	4	
5	51311-20L00-291	BRACKET, FR FORK UPPER (BLACK)	1	
6	51328-34J00-000	BOLT	2	
7	51344-41K00-000	CAP, STEERING STEM	1	
8	51353-41K00-000	NUT, STEERING STEM TOP	1	
9	51356-34J00-000	WASHER	1	
10	51331-41K00-291	HOLDER, HANDLE UPPER (BLACK)	1	
11	51321-41K00-000	BOLT, HANDLE HOLDER UPPER	4	
12	56246-41K00-000	CAP, HANDLEBAR BOLT	4	
13	51631-28000-000	NUT, STEERING STEM (25X44X10)	1	
14	51643-25001-000	DUST SEAL, STEERING UPR	1	
15	51621-28000-000	RACE, STEERING OUTER UPR	1	
16	06111-06004-000	BALL	22	
17	51611-20002-000	RACE, STEERING INNER UPR	1	
18	51611-33002-000	RACE, STEERING INNER LWR	1	
19	06111-08004-000	BALL	18	
20	51600-41800-000	RACER STEERING KIT	1	

FIG.530A

FIG.530A (1-G-2) FRONT WHEEL

REF NO.	PART NO.	DESCRIPTION	Q'TY	REMARKS
1	54111-20L01-QC3	WHEEL, FR (19M/CXMT2.50) (BLACK)	1	
2	54731-41K00-000	SPACER, FRONT HUB BEARING	1	
3	54841-48H10-000	SEAL, WHEEL DUST	2	
4	08123-6302B-000	BEARING	2	
5	43130-24A70-000	VALVE ASSY, WHEEL RIM (TR412)	1	
6	55110-20L01-000	TIRE, FRONT (100/90-19 M/C 57S)	1	NON-SERVICEABLE
7	54711-41K00-000	AXLE, FRONT	1	
8	54751-41K00-000	SPACER, FRONT AXLE RH	1	
9	59211-20L00-000	DISC, FRONT BRAKE	1	
10	59218-34J20-000	BOLT, FRONT BRAKE DISC	5	
11	54162-20L00-000	RING, SPEED SENSOR FR (58T)	1	
12	07130-0512A-000	BOLT	5	
13-1	55411-41K00-000	BALANCER, WHEEL NO.1 (10G)	AR	
13-2	55412-41K00-000	BALANCER, WHEEL NO.2 (20G)	AR	
13-3	55413-41K00-000	BALANCER, WHEEL NO.3 (30G)	AR	

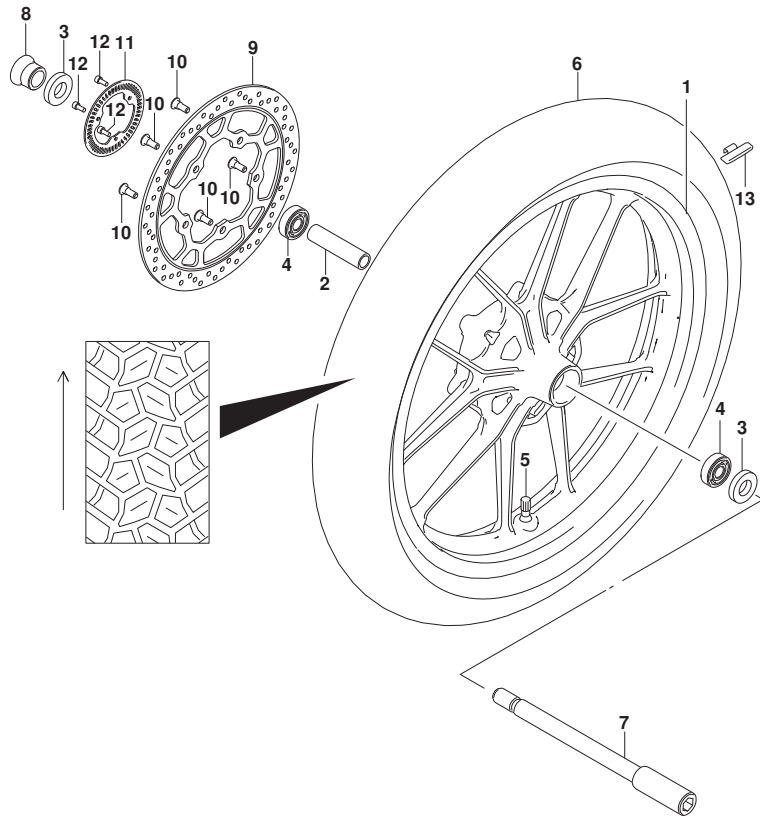


FIG.533A

FIG.533A (1-G-3) HYDRAULIC UNIT

REF NO.	PART NO.	DESCRIPTION	QTY	REMARKS
1	55610-20L00-000	UNIT ASSY, HYDRAULIC ABS	1	
2	55660-41K00-000	HOLDER, HYDR UNIT ABS	1	
3	01547-0612B-000	BOLT	2	
4	55661-34J00-000	BOLT	2	
5	55662-10G00-000	SPACER, HYDR UNIT MTG (#05)	2	
6	55663-34J00-000	RUBBER, HYDR UNIT MTG	2	
7	55710-20L00-000	SENSOR, FR WHEEL SPEED	1	
8	01547-0616B-000	BOLT	2	
9	55741-20L00-000	GUIDE, SENSOR LEAD	1	
10	01547-0612B-000	BOLT	1	
11	65710-20L00-000	SENSOR, RR WHEEL SPEED	1	
12	01547-0616B-000	BOLT	1	
13	65741-41K00-000	GUIDE, RR WHL SPEED SENSOR LEAD	1	
14	09407-14407-000	CLAMP (L:145)	6	
15	55734-27K00-000	CLAMP, SENSOR	3	

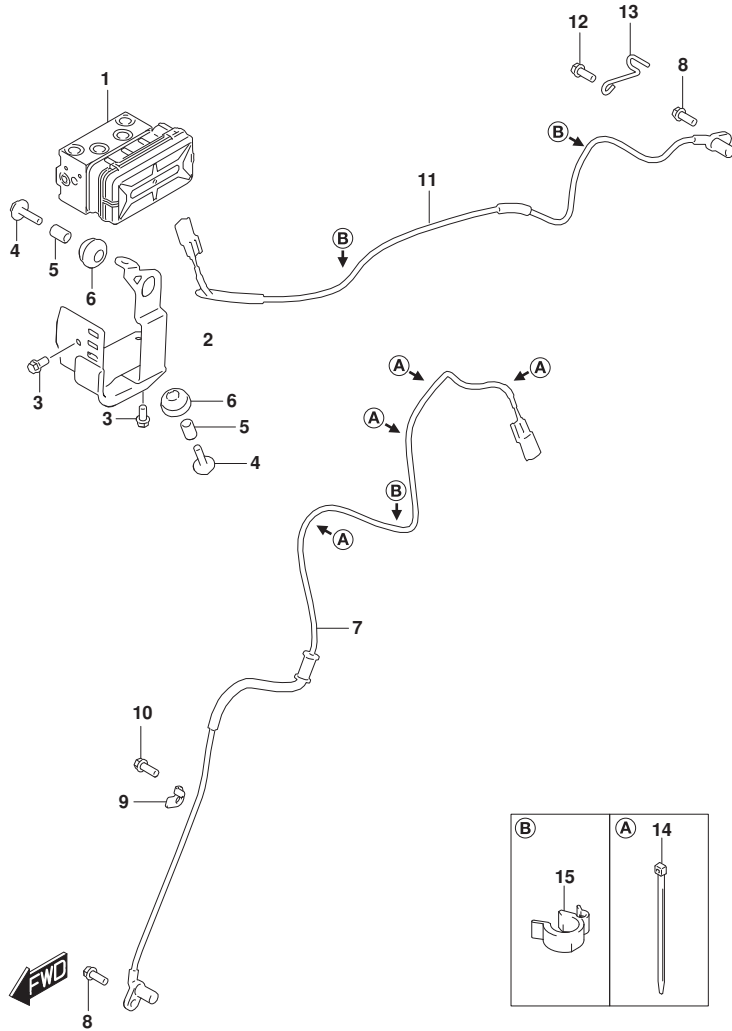


FIG.535A

FIG.535A (1-G-4) FRONT CALIPER

REF NO.	PART NO.	DESCRIPTION	QTY	REMARKS
1	59100-34J80-000	CALIPER ASSY, FRONT RH	1	
2	59100-34870-000	.PISTON SET	1	
3	59100-34860-000	..SEAL SET, PISTON	1	
4	59140-34810-000	.PAD SET	1	
5	59141-34J10-000	.PIN	1	
6	59746-34J00-000	.CLIP	2	
7	59315-34J00-000	.SPRING	1	
8	59108-34J00-000	.DUST COVER	1	
9	59109-34J00-000	.INSULATOR	1	
10	59351-34J00-000	.BRACKET	1	
11	59187-34J00-000	..PIN	1	
12	59188-34J00-000	..SPACER	1	
13	59382-34J00-000	..PIN	1	
14	59145-34J00-000	..STOPPER	1	
15	59665-34J00-000	..CIRCLIP	1	
16	59121-30H00-000	.SCREW, BLEEDER	1	
17	59122-30H00-000	.CAP, BLEEDER	1	
18	01550-0835A-000	BOLT	2	

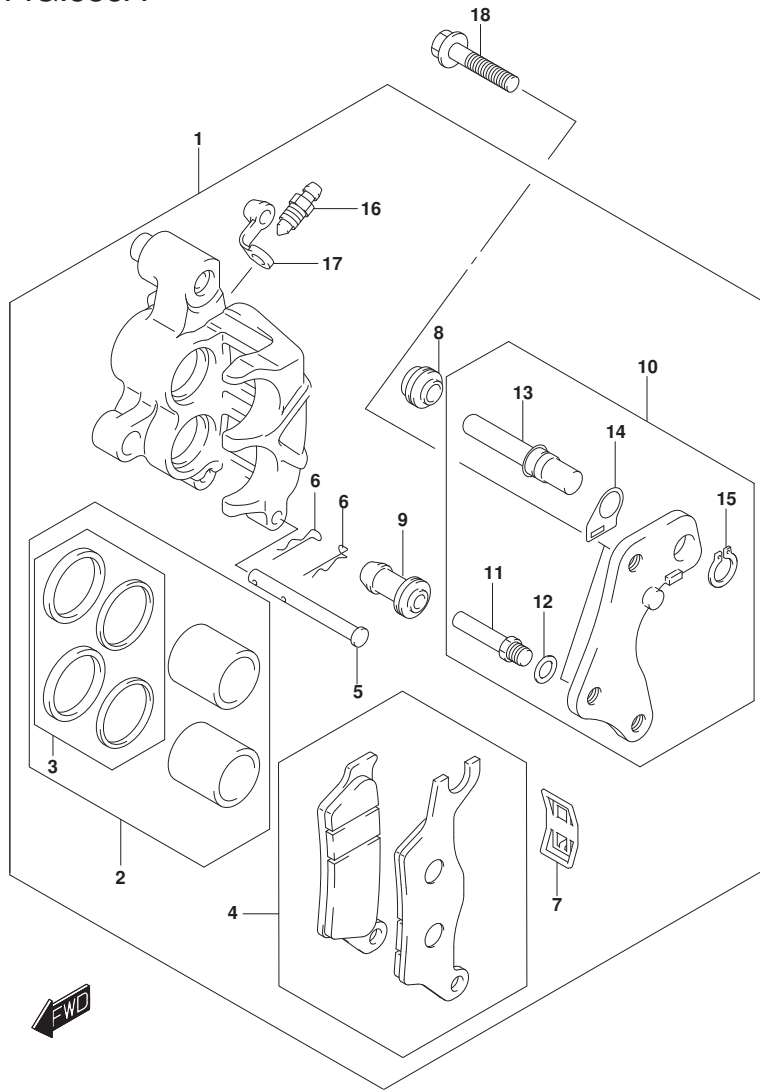


FIG.536A

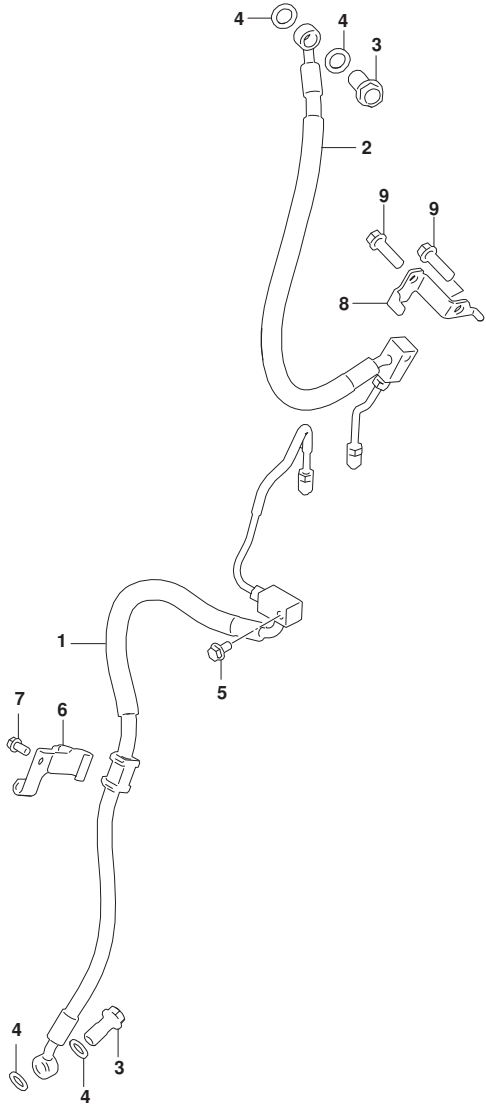


FIG.536A (1-G-5) FRONT BRAKE HOSE

REF NO.	PART NO.	DESCRIPTION	Q'TY	REMARKS
1	59400-20L00-000	HOSE ASSY, UNIT TO FR BK CLPR	1	
2	59200-20L00-000	HOSE ASSY, FR BK MASTER TO UNIT	1	
3	59492-30H40-000	BOLT, BRAKE FLUID (M10X1.25)	2	
4	59502-30H00-000	WASHER, BRAKE FLUID	4	
5	01547-0612B-000	BOLT	1	
6	59260-20L00-000	CLAMP, FR BRAKE HOSE	1	
7	01547-0612B-000	BOLT	1	
8	59541-41K10-000	CLAMP, FR BRAKE HOSE	1	
9	01547-0620B-000	BOLT	2	

FIG.537A

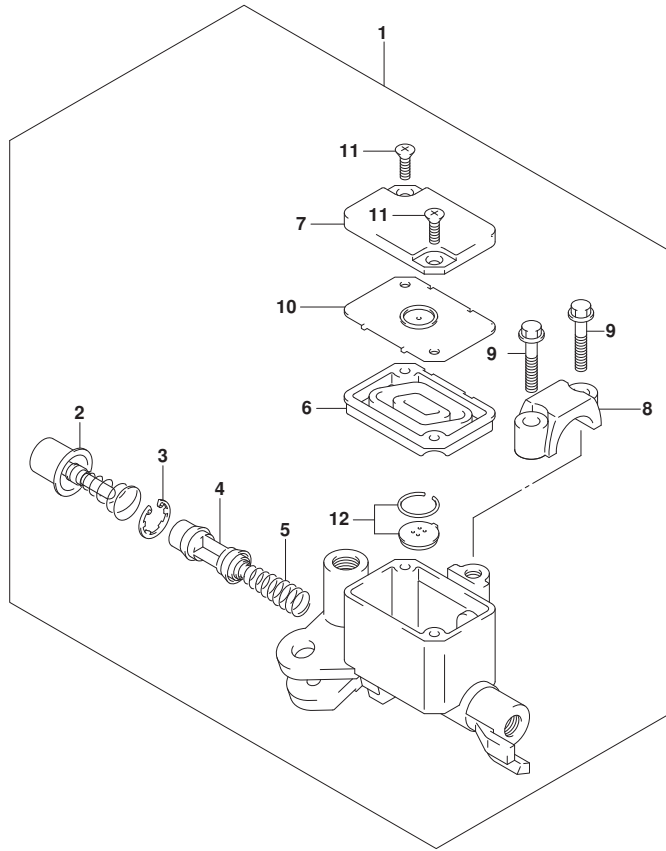


FIG.537A (1-G-6) FRONT MASTER CYLINDER

REF NO.	PART NO.	DESCRIPTION	Q'TY	REMARKS
1	59600-30H50-000	CYLINDER ASSY, FRONT MASTER	1	
2	59870-30H00-000	.PUSH ROD ASSY	1	
3	59665-30H00-000	.CIRCLIP	1	
4	59610-30H00-000	.PISTON ASSY	1	
5	57318-30H00-000	.SPRING	1	
6	59667-12K00-000	.DIAPHRAGM	1	
7	59687-23K00-000	.COVER	1	
8	59671-30H00-000	.CLAMP	1	
9	59688-30H00-000	.SCREW	2	
10	59668-30H00-000	.PLATE, DIAPHRAGM	1	
11	59691-30H00-000	.FLAT SCREW	2	
12	59669-30H00-000	.CAP	1	



FIG.541A

FIG.541A (1-G-7) REAR SWINGARM

REF NO.	PART NO.	DESCRIPTION	Q'TY	REMARKS
1	61100-20L00-000	SWINGARM, REAR	1	
2	61280-41K00-000	SPACER, RR SWGARM PIVOT	1	
3	09263-22077-000	BEARING (22X29X30)	2	
4	61251-41K00-000	SPACER, RR SWGARM PIVOT BEARING	2	
5	09160-14079-000	WASHER (14X34X1)	2	
6	61262-41K00-000	COVER, RR SWGARM PIVOT DUST	2	
7	08319-2114A-000	NUT	1	
8	09160-14078-000	WASHER (14.5X29X2.3)	1	
9	61211-30H00-000	SHAFT, RR SWINGARM PIVOT	1	
10	61273-41K00-000	BUFFER, CHAIN TOUCH DEFENSE	1	
11	09111-06072-000	BOLT (6X17.8)	1	

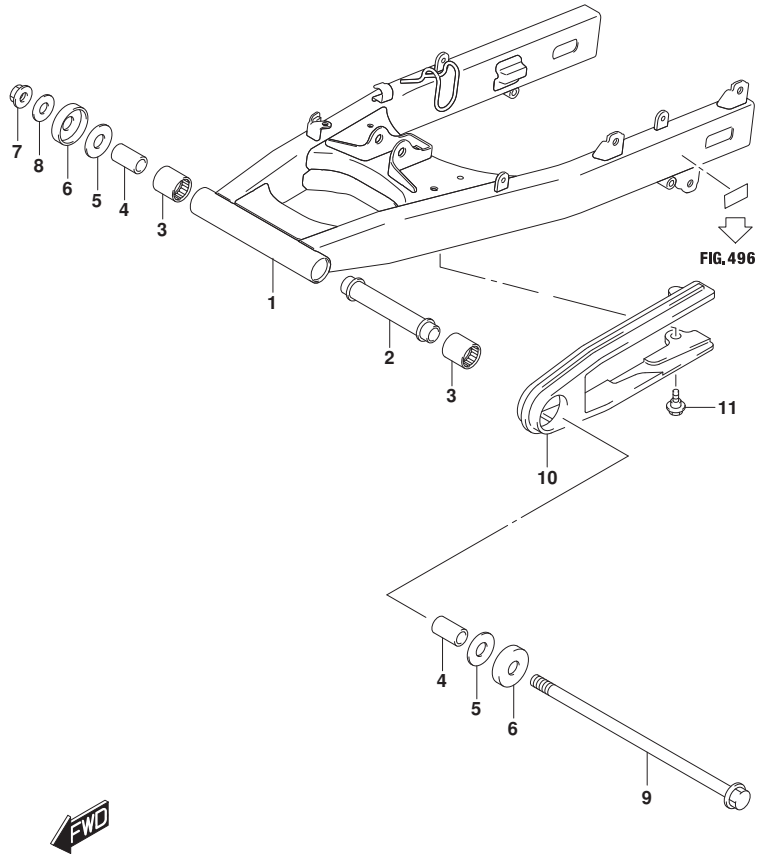


FIG.542A

FIG.542A (1-G-8) CHAIN CASE

REF NO.	PART NO.	DESCRIPTION	QTY	REMARKS
1	61311-20L00-000	CASE, CHAIN	1	
2	09111-06107-000	BOLT (6X12)	4	

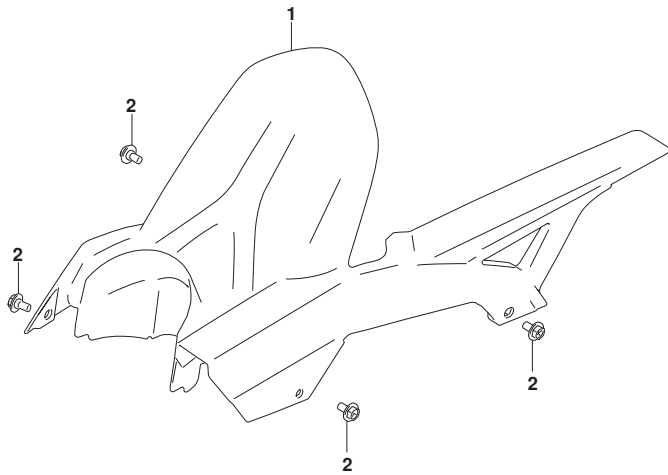


FIG.545A

**FIG.545A (1-G-9) REAR SHOCK ABSORBER**

REF NO.	PART NO.	DESCRIPTION	Q'TY	REMARKS
1	62100-20L00-28W	ABSORBER ASSY, REAR SHOCK (WHITE)	1	
2	62658-47H00-000	BOLT, RR CUSHION LEVER	1	
3	09159-12085-000	NUT	1	
4	09160-12131-000	WASHER (12.3X24X2.3)	1	
5	62668-30B00-000	BOLT, RR CUSHION LEVER FR (12X60)	1	

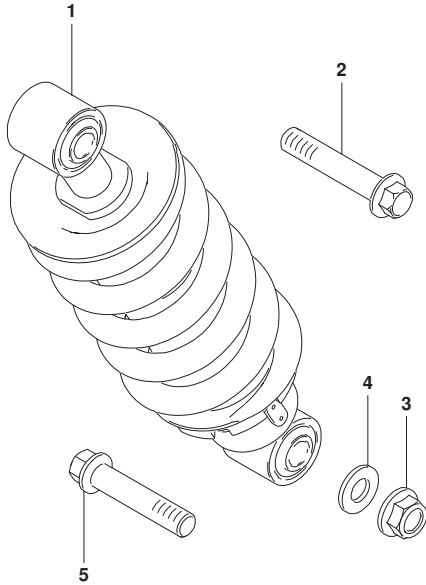


FIG.550A

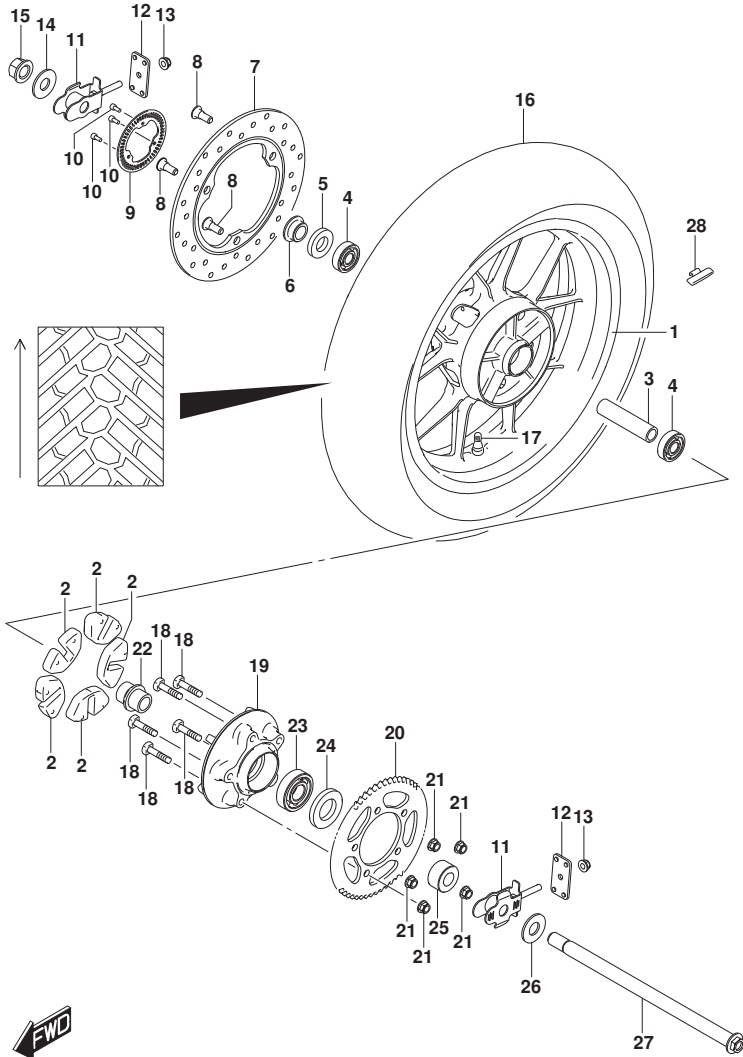


FIG.550A (1-G-10) REAR WHEEL

REF NO.	PART NO.	DESCRIPTION	Q'TY	REMARKS
1	64111-20L01-QC3	WHEEL, REAR (17M/CXMT4.00) (BLACK)	1	
2	64651-20L00-000	ABSORBER, REAR HUB SHOCK	5	
3	64731-41K00-000	SPACER, REAR WHEEL HUB BEARING	1	
4	08123-6303B-000	BEARING	2	
5	64841-41K00-000	SEAL, REAR HUB BEARING	1	
6	64741-41K00-000	SPACER, REAR AXLE RH	1	
7	69211-20L00-000	DISC, REAR BRAKE	1	
8	59218-34J20-000	BOLT, FRONT BRAKE DISC	5	
9	54162-41K00-000	RING, SPEED SENSOR FR (50T)	1	
10	07130-0512A-000	BOLT	3	
11	61410-41K00-000	ADJUSTER, CHAIN	2	
12	61421-41K00-000	PLATE, CHAIN ADJUSTER GUIDE	2	
13	08319-3108A-000	NUT	2	
14	61445-41K00-000	WASHER, REAR AXLE RH	1	
15	64721-41K00-000	NUT, REAR AXLE	1	
16	65110-20L01-000	TIRE, REAR (140/70-17 M/C 66S)	1	NON-SERVICEABLE
17	43130-24A70-000	VALVE ASSY, WHEEL RIM (TR412)	1	
18	64541-41K00-000	BOLT, REAR SPROCKET	5	
19	64611-01D10-000	DRUM, REAR SPROCKET	1	
20	64511-41K00-000	SPROCKET, REAR (NT:40)	1	
21	08319-3110A-000	NUT	5	
22	64733-01D00-000	RETAINER, RR SPROCKET DRUM	1	
23	08133-6305B-000	BEARING	1	
24	64831-41K00-000	OIL SEAL, REAR SPROCKET DRUM	1	
25	64751-41K00-000	SPACER, REAR AXLE LH	1	
26	61455-41K00-000	WASHER, REAR AXLE LH	1	
27	64711-41K00-000	AXLE, REAR	1	
28-1	55411-41K00-000	BALANCER, WHEEL NO.1 (10G)	AR	
28-2	55412-41K00-000	BALANCER, WHEEL NO.2 (20G)	AR	
28-3	55413-41K00-000	BALANCER, WHEEL NO.3 (30G)	AR	

FIG.555A

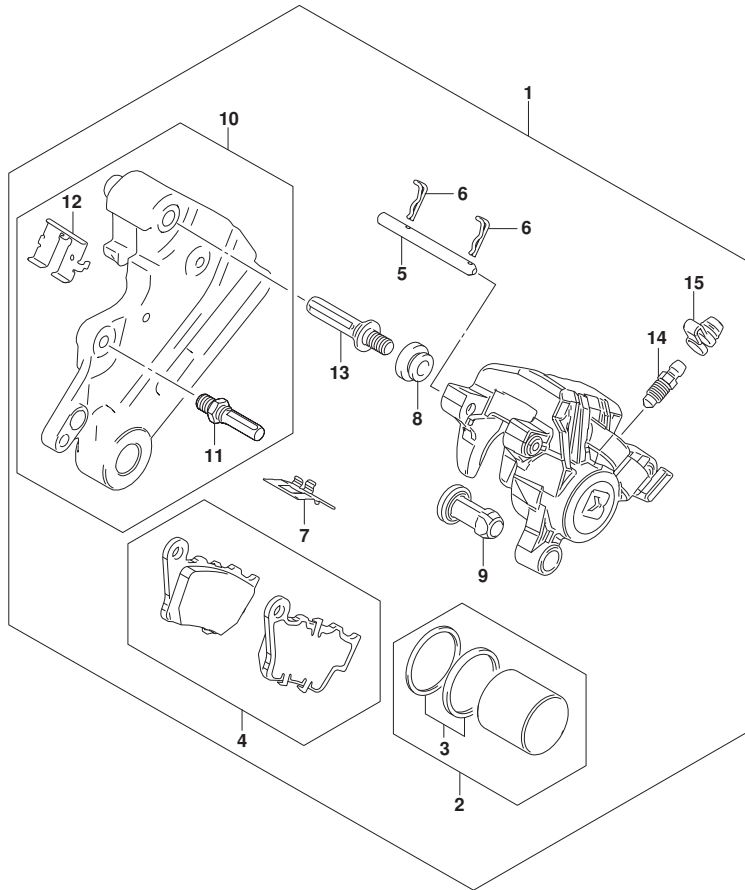


FIG.555A (1-G-11) REAR CALIPER

REF NO.	PART NO.	DESCRIPTION	Q'TY	REMARKS
1	69100-20L10-000	CALIPER ASSY, REAR	1	
2	69100-27870-000	.PISTON SET	1	
3	69100-27860-000	..SEAL SET	1	
4	69100-27890-000	.PAD SET	1	
5	69345-27K00-000	.PIN, PAD	1	
6	69746-27K00-000	.CLIP	2	
7	69115-27K00-000	.SPRING, PAD	1	
8	59108-34J00-000	.DUST COVER	1	
9	59109-34J00-000	.INSULATOR	1	
10	69720-20L00-000	.BRACKET	1	
11	59187-34J00-000	..PIN	1	
12	69116-27K00-000	..RETAINER	1	
13	69187-27K00-000	.PIN	1	
14	59121-30H00-000	.SCREW, BLEEDER	1	
15	59122-30H00-000	.CAP, BLEEDER	1	



FIG.558A

FIG.558A (1-G-12) REAR MASTER CYLINDER

REF NO.	PART NO.	DESCRIPTION	Q'TY	REMARKS
1	69200-20L00-000	HOSE ASSY, RR BK MASTER TO UNIT	1	
2	69400-20L00-000	HOSE ASSY, UNIT TO RR BK CLPR	1	
3	01547-0630A-000	BOLT	1	
4	59492-30H40-000	BOLT, BRAKE FLUID (M10X1.25)	2	
5	59502-30H00-000	WASHER, BRAKE FLUID	4	
6	09403-07410-000	CLAMP	2	
7	09403-17311-000	CLAMP	1	
8	69600-41K00-000	CYLINDER ASSY, REAR MASTER	1	
9	69600-41810-000	.PISTON/CUP SET	1	
10	69666-27K00-000	.BOOT	1	
11	69692-41K00-000	.YOKE	1	
12	69693-27K00-000	.NUT	1	
13	69665-27K00-000	.CIRCLIP	1	
14	69671-41K00-000	.ROD, PUSH	1	
15	69872-27K00-000	.GUIDE, ROD	1	
16	09200-06037-000	PIN (6X17.7)	1	
17	08322-0106A-000	WASHER	1	
18	04111-2015A-000	PIN	1	
19	07130-0625A-000	BOLT	2	
20	69740-27K00-000	TANK ASSY, RR RESERVOIR	1	
21	69689-27K00-000	.SCREW	2	
22	69667-27K00-000	.DIAPHRAGM	1	
23	69669-27K00-000	.CAP	1	
24	69668-27K00-000	.PLATE, DIAPHRAGM	1	
25	01550-0612A-000	BOLT	1	
26	69731-41K00-000	HOSE, RR RESERVOIR TANK	1	
27	59735-27K00-000	CLIP	2	

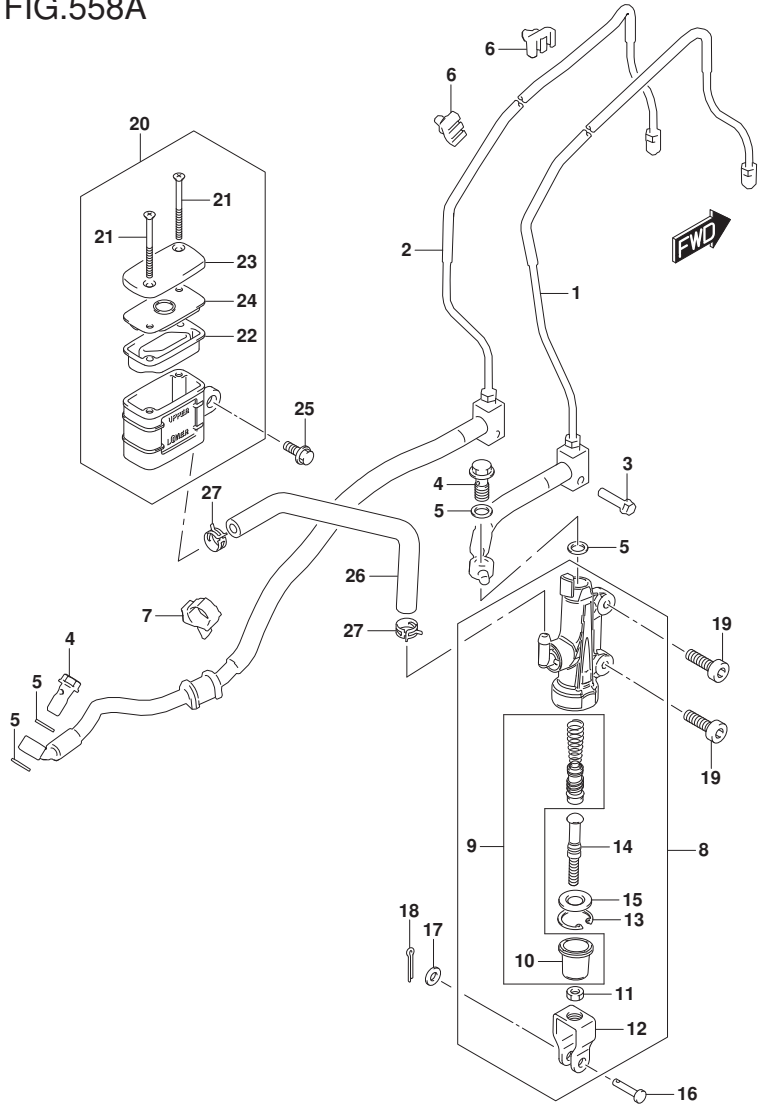


FIG.970A

**FIG.970A (1-G-3) OPTIONAL**

REF NO.	PART NO.	DESCRIPTION	Q'TY	REMARKS
1	45100-20L10-QV4	SEAT ASSY	1	

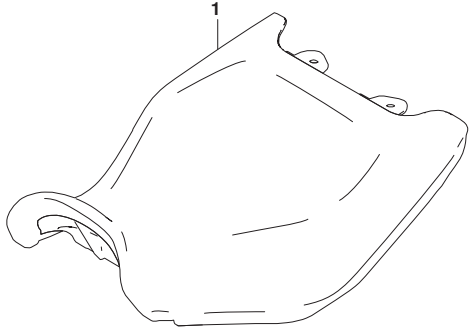


FIG.970B

FIG.970B (1-G-4) OPTIONAL

REF NO.	PART NO.	DESCRIPTION	Q'TY	REMARKS
1-1	68200-20810-CEK	TAPE SET,WHEEL	1	BODY COLOR:YU1
1-2	68200-20810-CEL	TAPE SET,WHEEL	1	BODY COLOR:YVB,QSB

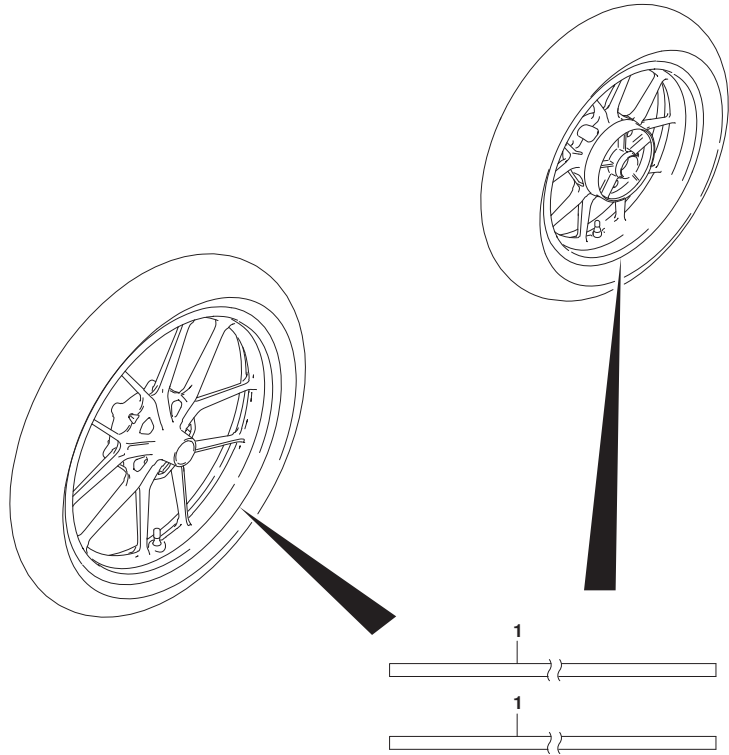


FIG.970C

FIG.970C (1-G-5) OPTIONAL

REF NO.	PART NO.	DESCRIPTION	Q'TY	REMARKS
1	68100-20820-000	EMBLEM SET,FUEL TANK,R&L	1	

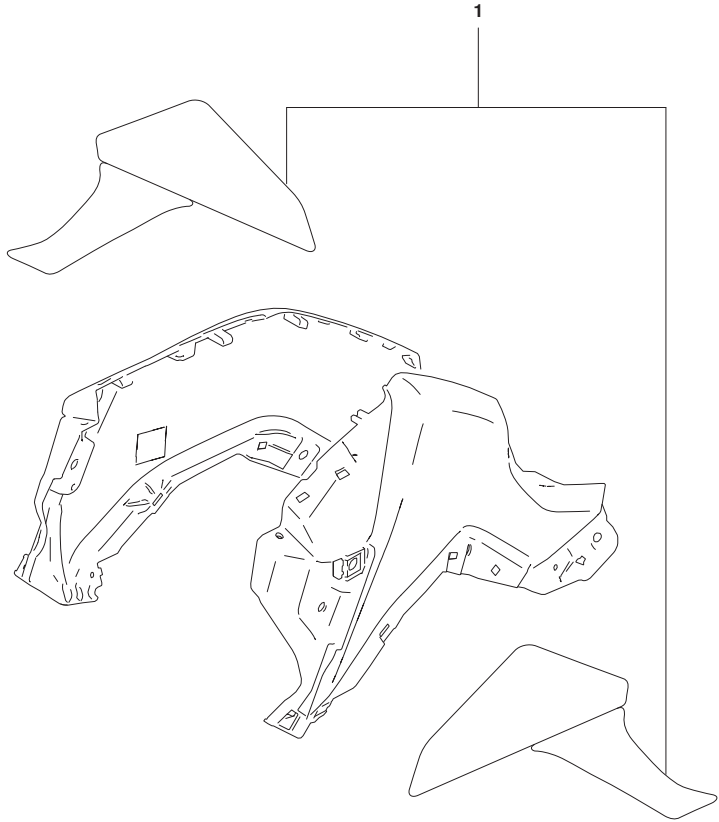


FIG.970D

FIG.970D (1-G-6) OPTIONAL

REF NO.	PART NO.	DESCRIPTION	QTY	REMARKS
1	68100-20810-000	EMBLEM SET,FUEL TANK CTR	1	

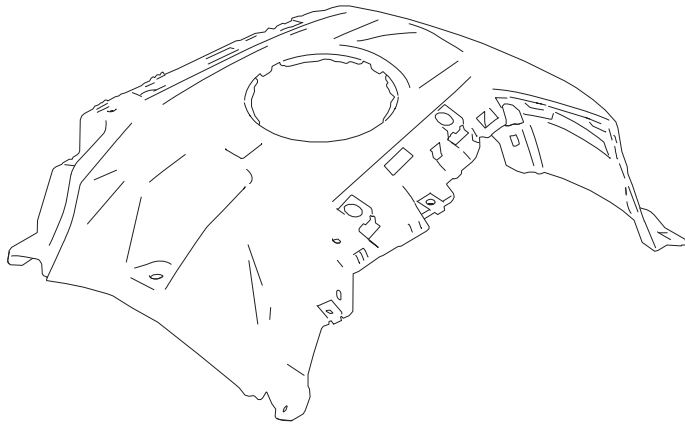
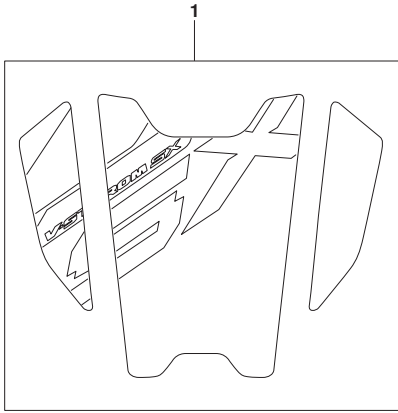
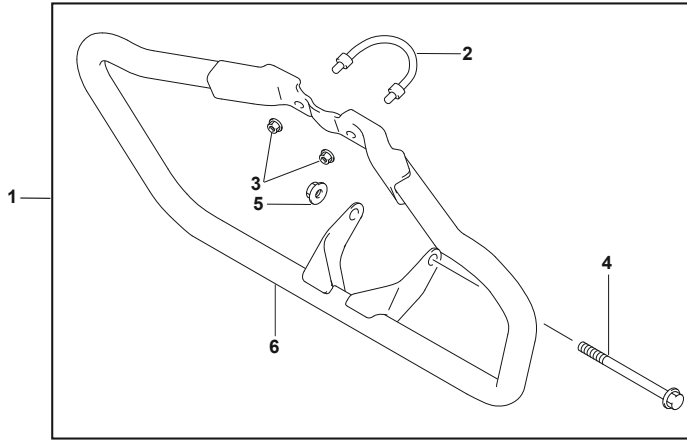


FIG.970E

FIG.970E (1-G-7) OPTIONAL

REF NO.	PART NO.	DESCRIPTION	Q'TY	REMARKS
1	94200-20810-000	BUMPER SET, FRONT	1	
2	94240-41KA0-000	.HOOK COMP,FRONT BUMPER	1	
3	08316-1006B-000	.NUT	2	
4	41999-05J10-000	.BOLT	1	
5	08319-3108B-000	.NUT	1	
6	94210-41KA0-000	.BUMPER COMP, FRONT	1	



PART NO.	FIG.NO.-REF.NO.	PART NO.	FIG.NO.-REF.NO.	PART NO.	FIG.NO.-REF.NO.	
10000		12710-41K10-000	126A- 1	12892-41C00-242	126A-17-38	
		12741-41K00-000	126A- 3	12892-41C00-245	126A-17-39	
		12742-41K00-000	126A- 5	12892-41C00-248	126A-17-40	
		12841-41K00-000	126A- 6	12892-41C00-250	126A-17-41	
		12851-41K00-000	126A- 7	12892-41C00-252	126A-17-42	
	11171-41K00-000	102A- 1	12860-41K00-000	126A- 8	12892-41C00-255	126A-17-43
	11173-41K00-000	102A- 2	12867-41K00-000	126A- 9	12892-41C00-258	126A-17-44
	11191-27E00-000	102A- 4	12911-41K00-000	126A-10	12892-41C00-260	126A-17-45
	11100-41K00-000	103A- 1	12912-41K00-000	126A-11	12892-41C00-262	126A-17-46
	11181-41K00-000	103A- 4	12933-09G00-000	126A-12	12892-41C00-265	126A-17-47
	11182-41K00-000	103A- 5	12921-41K00-000	126A-13	12892-41C00-268	126A-17-48
	11141-41K00-000	103A-11	12931-41K00-000	126A-15	12892-41C00-270	126A-17-49
	11210-41K00-0E0	107A- 1-1	12932-09G10-000	126A-16	12892-41C00-272	126A-17-50
	11210-41K00-0F0	107A- 1-2	12892-35G00-150	126A-17-1	12892-41C00-275	126A-17-51
	11210-41K00-0G0	107A- 1-3	12892-35G00-152	126A-17-2	12892-41C00-278	126A-17-52
	11241-41K00-000	107A- 2	12892-35G00-155	126A-17-3	12892-41C00-280	126A-17-53
	13640-41K00-000	107A- 4	12892-35G00-158	126A-17-4	12892-41C00-282	126A-17-54
	11300-41881-000	108A- 1	12892-35G00-160	126A-17-5	12892-41C00-285	126A-17-55
	11323-41K00-000	108A- 7	12892-35G00-162	126A-17-6	12892-41C00-288	126A-17-56
11390-41K00-000	108A- 9	12892-35G00-165	126A-17-7	12892-41C00-290	126A-17-57	
11340-41K00-000	112A- 1	12892-35G00-168	126A-17-8	12892-41C00-292	126A-17-58	
11971-45010-000	112A- 2	12892-35G00-170	126A-17-9	12892-41C00-295	126A-17-59	
11482-41K00-000	112A- 3	12892-35G00-172	126A-17-10	12892-41C00-298	126A-17-60	
11971-30H00-000	112A-10	12892-35G00-175	126A-17-11	12892-41C00-300	126A-17-61	
11351-41K00-000	112A-12	12892-35G00-178	126A-17-12	12800-35820-000	126A-18	
11483-41K00-000	112A-13	12892-35G00-180	126A-17-13	12760-41K00-000	127A- 1	
11352-41K00-000	112A-22	12892-35G00-182	126A-17-14	12771-41K00-000	127A- 2	
11353-41K00-000	112A-23	12892-35G00-185	126A-17-15	12811-41K00-000	127A- 3	
11360-41K00-000	112A-25	12892-35G00-188	126A-17-16	12812-35C00-000	127A- 4	
12200-41K00-000	120A- 1	12892-35G00-190	126A-17-17	12830-41K00-000	127A- 5	
12661-41K00-000	120A- 2	12892-35G00-192	126A-17-18	12835-41K00-000	127A- 6	
12731-41K00-000	120A- 7	12892-35G00-195	126A-17-19	12836-41K00-000	127A- 7	
12111-41K10-0E0	120A-14-1	12892-35G00-198	126A-17-20	12837-24A30-000	127A- 8	
12111-41K10-0F0	120A-14-2	12892-35G00-200	126A-17-21	12700-41810-000	127A-10	
12111-41K10-0G0	120A-14-3	12892-35G00-202	126A-17-22	13400-41K00-000	140A- 1	
12140-41K20-000	120A-15	12892-35G00-205	126A-17-23	13417-09JA0-000	140A- 2	
12151-41K00-000	120A-16	12892-35G00-208	126A-17-24	13421-42J00-000	140A- 3	
12100-41K10-050	120A-18	12892-35G00-210	126A-17-25	13438-09JA0-000	140A- 4	
12541-41K10-000	120A-19	12892-35G00-212	126A-17-26	13602-06128-000	140A- 5	
12611-41K00-000	122A- 1	12892-35G00-215	126A-17-27	15710-41K00-000	140A- 6	
12612-41K00-000	122A- 3	12892-35G00-218	126A-17-28	15720-41810-000	140A- 7	
12616-41K00-000	122A- 4	12892-35G00-220	126A-17-29	15830-41K00-000	140A- 8	
12600-41870-000	122A- 5	12892-35G00-222	126A-17-30	15719-41K00-000	140A-10	
12651-41K00-000	124A- 1	12892-35G00-225	126A-17-31	13110-41K00-000	140A-11	
12666-41K00-000	124A- 2	12892-35G00-228	126A-17-32	13128-41K00-000	140A-12	
12662-41K00-000	124A- 3	12892-41C00-230	126A-17-33	18570-41K00-000	140A-15	
12662-41K10-000	124A- 4	12892-41C00-232	126A-17-34	13121-41K00-000	140A-16	
12669-41K00-000	124A- 5	12892-41C00-235	126A-17-35	13170-41K00-000	140A-17	
12668-34J00-000	124A- 7	12892-41C00-238	126A-17-36	13700-41K00-000	155A- 1	
12663-41K00-000	124A-13	12892-41C00-240	126A-17-37	13725-41K00-000	155A- 2	

PART NO.	FIG.NO.-REF.NO.	PART NO.	FIG.NO.-REF.NO.	PART NO.	FIG.NO.-REF.NO.	
20000		13740-41K00-000	155A- 3	25381-34J00-000	212A-13	
		13746-41K00-000	155A- 4	25510-41K00-000	212A-16	
		13761-41K00-000	155A- 5	25518-41K00-000	212A-18	
		13700-41810-000	155A- 6	25671-28G00-000	212A-19	
		13746-41K00-000	155A- 7	25515-34J00-000	212A-20	
	13881-41K00-000	155A- 8	21111-41KA0-000	120A- 8	25520-41K11-000	212A-21
	13891-41K00-000	155A- 9	21112-41KA0-000	120A- 9	25525-20L00-000	212A-23
	13826-41K00-000	155A-10	21114-41K00-000	120A-10	25512-28G10-000	212A-24
	13853-41K00-000	155A-12	21200-41KA0-000	201A- 1	25600-41K10-000	212A-25
	13859-41B10-000	155A-14	21251-41K10-000	201A- 3	25652-05J00-000	212A-26
	13841-20L00-000	155A-17	21411-41K00-000	201A- 4	25617-03F20-000	212A-33
	14310-20L20-000	163A- 1	21471-41K00-000	201A- 7		
	14181-14D10-000	163A- 2	21472-41K00-000	201A- 8		
	14780-20L00-000	163A- 4	21442-41K00-000	201A- 9		
	14795-10FA00-000	163A- 9	21441-41K00-000	201A-10		
	18213-41K01-000	163A-17	21451-41K00-000	201A-11		
	14791-20L00-000	163A-18	21462-41K00-000	201A-12		
	14761-20L00-000	163A-19	21481-41K01-000	201A-13		
	16400-41K00-000	170A- 1	21482-41K00-000	201A-14		
	16331-41K11-000	170A- 2	23121-41K00-000	201A-15		
	16421-41K00-000	170A- 3	23122-41K00-000	201A-18	34810-20L10-000	172A- 8
	16413-41K00-000	170A- 8	23271-41K00-000	201A-22	37720-41K01-000	212A-27
	16520-09440-000	170A-11	24121-41KA0-000	206A- 1	31100-41K00-000	301A- 1
	16510-33G10-000	170A-12	24221-41KA0-000	206A- 2	31150-41K00-000	301A- 2
	16512-23J20-000	170A-14	24231-41KA0-000	206A- 3	31156-41K00-000	301A- 3
16519-09J10-000	170A-16	24261-41KA0-000	206A- 4	31175-41K00-000	301A- 4	
15100-41K00-000	172A- 1	24252-41KA0-000	206A- 5	31280-41K00-000	301A- 5	
15420-34JB0-000	172A- 2	24251-41KA0-000	206A- 6	31264-41K00-000	301A- 6	
15424-09JB0-000	172A- 3	24130-41KA0-000	206A- 7	32101-41K00-000	303A- 1	
15121-34JB1-000	172A- 4	24311-41KA0-000	206A- 8	32102-41K00-000	303A- 2	
15201-34JB0-000	172A- 5	24321-41KA0-000	206A-10	32371-41K00-000	303A- 3	
15810-41K00-000	172A- 6	24331-41KA0-000	206A-11	32371-41K10-000	303A- 4	
16600-41K00-000	178A- 1	24341-41KA0-000	206A-12	32491-41K00-000	303A- 5	
17802-41K00-000	178A- 2	24361-41KA0-000	206A-13	33620-41K01-000	310A- 1	
16800-41K00-000	178A- 3	24351-41KA0-000	206A-14	33652-29110-000	310A- 2	
16460-41K00-000	178A- 7	24751-41K00-000	206A-24	33810-41K10-000	310A- 4	
16470-41K00-000	178A- 8	24741-20A10-000	206A-26	33624-41K00-000	310A- 5	
16650-20L00-000	178A-13	27531-41K00-000	206A-29	33820-41K00-000	310A- 6	
18560-27KA0-000	427A- 1	27511-41K00-000	206A-30	33860-41K00-000	310A- 7	
18571-41K00-000	427A- 4	27600-41K20-114	206A-33	31800-34J02-000	311A- 1	
18572-29J00-000	427A- 5	27620-41K20-000	206A-34	32800-20K30-000	313A- 1	
18561-41K10-000	427A- 7	25211-14D10-000	212A- 1	32832-41K00-000	313A- 2	
18562-41K10-000	427A- 8	25231-14D10-000	212A- 2	32852-41K00-000	313A- 3	
18568-41K00-000	427A- 9	25411-48H00-000	212A- 3	33410-41K00-000	316A- 1	
18563-41K10-000	427A-13	25421-14D10-000	212A- 4	33414-41K00-000	316A- 2	
18117-73M00-000	427A-15	25311-41K00-000	212A- 5	33510-41K00-000	316A- 5	
11959-10L80-000	496A- 3	24741-20A10-000	212A- 7	33541-08K00-000	316A- 6	
		25350-34J20-000	212A- 9	33542-30H00-000	316A- 7	
		25357-34J00-000	212A-10	32920-20LD0-000	322A- 1	
		25355-34J10-000	212A-12	33960-27G00-000	322A- 2	

30000

PART NO.	FIG.NO.-REF.NO.	PART NO.	FIG.NO.-REF.NO.	PART NO.	FIG.NO.-REF.NO.
34100-20LC2-000	330A-1	36990-20L10-000	466A-1	44541-44J00-000	420A-8
34189-34J00-000	330A-2	37560-41K00-000	467A-17	44549-34J00-000	420A-9
35100-20L01-000	333A-1	37562-41K00-000	467A-18	44544-27K00-000	420A-10
35159-20L00-000	333A-2	35157-34J00-000	474A-1	47162-30H00-000	420A-12
35950-20L00-000	333A-7			44423-41K00-000	420A-14
35601-20LD0-000	334A-1			44480-41K00-000	420A-15
35623-34J00-000	334A-2			44480-41K20-000	420A-16
35623-34J30-000	334A-3			44512-44J00-000	420A-18
35623-34J40-000	334A-4			44520-20L00-000	420A-19
35616-34J00-000	334A-6			44515-34J10-000	420A-20
35602-20LD0-000	334A-7	47161-23J00-000	339A-2	44171-20L01-YKV	423A-2
35623-34J00-000	334A-8	43232-34J00-000	350A-12	44181-20L01-YVB	423A-3
35623-34J30-000	334A-9	41100-20L00-000	401A-1	44191-20L01-YVB	423A-4
35623-34J40-000	334A-10	41980-41K00-000	401A-2	44271-20L00-000	423A-5
35616-34J00-000	334A-12	43585-27K00-000	401A-4	44272-20L00-000	423A-6
35629-34J30-000	334A-13	41994-41K00-000	401A-5	44281-20L00-000	423A-7
36990-44J10-000	334A-14	41990-20L00-000	401A-7	44282-20L00-000	423A-8
35603-20L70-000	334A-17	41933-34J00-000	401A-9	44283-20L00-000	423A-9
35623-34J30-000	334A-19	41542-41K00-000	406A-1	44284-20L00-000	423A-10
35623-34J00-000	334A-20	47431-20L00-000	406A-2	44285-20L00-000	423A-11
35623-34J40-000	334A-21	48178-31C00-000	406A-3	44295-41K00-000	423A-12
35616-34J00-000	334A-22	47421-20L00-000	406A-6	44523-20L00-000	423A-13
35604-20L70-000	334A-23	42310-20L00-000	407A-1	44552-20L00-000	423A-14
35623-34J30-000	334A-25	42341-27K00-000	407A-2	45148-27K00-000	423A-15
35623-34J00-000	334A-26	42360-41K00-000	407A-4	47349-34J01-000	423A-16
35623-34J40-000	334A-27	42423-48H00-000	407A-5	44434-20L10-000	427A-10
35616-34J00-000	334A-28	42424-48H00-000	407A-6	44240-13H00-000	427A-12
35629-34J30-000	334A-29	43110-34J20-000	407A-8	44894-34J00-000	427A-16
38610-27K01-000	334A-30	43211-23J00-000	407A-11	47162-30H00-000	445A-1
35710-20L00-000	339A-1	46311-20L00-000	412A-1	47311-20L00-000	445A-2
35910-23K10-000	339A-6	43510-20L00-000	415A-1	47315-41K00-000	445A-3
35913-23K00-000	339A-7	43520-20L00-000	415A-2	47131-20L00-QSB	445A-8-1
35970-28G00-000	339A-10	43551-06L00-000	415A-4	47131-20L00-YU1	445A-8-2
36610-20L50-000	350A-1	43530-06L00-000	415A-8	47131-20L00-YVB	445A-8-3
38860-76F01-000	350A-2	43540-06L00-000	415A-9	47132-20L00-000	445A-9
	350A-3	43552-06L00-000	415A-10	47231-20L00-QSB	445A-10-1
36990-70F20-000	350A-7	47512-28K00-000	415A-11	47231-20L00-YU1	445A-10-2
36990-44J10-000	350A-8	43576-48B80-000	415A-13	47231-20L00-YVB	445A-10-3
37740-34J20-000	350A-11	43571-20L00-000	415A-14	47111-20L00-YHG	446A-1
38500-41K10-000	350A-13	43572-20L00-000	415A-15	47123-41K00-000	446A-2
37840-02L11-000	350A-15	43611-37H70-000	415A-17	47211-20L00-YHG	446A-3
36852-20L00-000	350A-18	43621-37H70-000	415A-18	47121-20L00-000	446A-8
39105-44K32-000	350A-19	43529-34J10-000	415A-19	47122-20L00-000	446A-9
37101-208E1-000	352A-1	43680-20L20-000	415A-23	47221-20L00-000	446A-10
37100-20L01-000	352A-2	44100-20LA0-000	420A-1	47112-20L00-000	446A-12
37152-30H00-000	352A-3	44200-41K80-000	420A-2	47212-20L00-000	446A-13
37146-41K00-000	352A-5	44271-41K00-000	420A-4	47315-41K00-000	446A-14
37200-27K21-000	355A-1	44542-44J00-000	420A-5	47123-41K00-000	460A-1
37400-27K20-000	355A-3	44542-20L00-000	420A-6	47161-23J00-000	460A-2
36990-20L00-000	355A-4	44541-34J20-000	420A-7	47410-20L00-000	474A-11

40000

PART NO.	FIG.NO.-REF.NO.	PART NO.	FIG.NO.-REF.NO.	PART NO.	FIG.NO.-REF.NO.
47315-41K00-000	485A-7	57442-41K00-000	467A-15	51434-41K00-000	524A-4
47435-34J00-000	497A-1	57661-41K00-000	467A-16	51311-20L00-291	524A-5
45100-20L00-QV4	505A-1	57341-41K80-000	472A-1	51328-34J00-000	524A-6
45148-27K00-000	505A-2	57472-20L00-000	472A-2	51344-41K00-000	524A-7
45316-41K00-000	505A-3	57541-41K80-000	472A-3	51353-41K00-000	524A-8
45148-27K00-000	505A-4	57672-20L00-000	472A-4	51356-34J00-000	524A-9
45300-20L00-CDC	505A-7	51103-20L00-291	521A-1	51331-41K00-291	524A-10
45213-28G20-000	505A-8	51113-27K00-000	521A-2	51321-41K00-000	524A-11
45148-27K00-000	505A-9	51181-34J00-000	521A-3	56246-41K00-000	524A-12
45220-28G21-000	505A-10	51176-20L00-000	521A-4	51631-28000-000	524A-13
45280-20L00-000	505A-12	51172-34J00-000	521A-5	51643-25001-000	524A-14
45289-11F00-000	505A-14	51171-20L00-000	521A-6	51621-28000-000	524A-15
45288-20L00-000	505A-15	51196-34J00-000	521A-7	51611-20002-000	524A-17
43130-24A70-000	530A-5	51146-20L00-000	521A-8	51611-33002-000	524A-18
	550A-17	51177-34J00-000	521A-9	51600-41800-000	524A-20
45100-20L10-QV4	970A-1	51110-20L00-000	521A-10	54111-20L01-QC3	530A-1
41999-05J10-000	970E-4	51173-34J00-000	521A-11	54731-41K00-000	530A-2
		51156-34J00-000	521A-12	54841-48H10-000	530A-3
		51153-34J00-000	521A-13	55110-20L01-000	530A-6
		51158-34J00-000	521A-14	54711-41K00-000	530A-7
		51167-34J00-000	521A-15	54751-41K00-000	530A-8
		51121-34J00-000	521A-16	59211-20L00-000	530A-9
		51195-34J00-000	521A-17	59218-34J20-000	530A-10
		51131-20L00-291	521A-18	54162-20L00-000	530A-11
		51148-34J00-000	521A-19	55411-41K00-000	530A-13-1
51831-30H10-000	333A-4	51147-41K00-000	521A-20	55412-41K00-000	530A-13-2
53275-34J00-000	339A-3	51104-20L00-291	521A-21	55413-41K00-000	530A-13-3
53111-20L00-000	460A-3	51113-27K00-000	521A-22	55610-20L00-000	533A-1
53275-34J00-000	460A-4	51181-34J00-000	521A-23	55660-41K00-000	533A-2
56110-20L00-000	462A-1	51176-20L00-000	521A-24	55661-34J00-000	533A-4
56278-20L00-000	462A-2	51172-34J00-000	521A-25	55662-10G00-000	533A-5
57346-41KA0-000	462A-3	51171-20L00-000	521A-26	55663-34J00-000	533A-6
56500-34JB0-000	464A-1	51196-34J00-000	521A-27	55710-20L00-000	533A-7
56600-34JB0-000	464A-2	51146-20L00-000	521A-28	55741-20L00-000	533A-9
58200-20L00-000	466A-2	51177-34J00-000	521A-29	55734-27K00-000	533A-15
58300-20L00-000	466A-3	51110-20L00-000	521A-30	59100-34J80-000	535A-1
58300-20L10-000	466A-4	51173-34J00-000	521A-31	59100-34870-000	535A-2
58634-41K10-000	466A-5	51156-34J00-000	521A-32	59100-34860-000	535A-3
57110-30H11-000	467A-1	51153-34J00-000	521A-33	59140-34810-000	535A-4
57300-41K00-000	467A-2	51158-34J00-000	521A-34	59141-34J10-000	535A-5
57431-30H20-000	467A-3	51167-34J00-000	521A-35	59746-34J00-000	535A-6
57421-41K00-000	467A-4	51121-34J00-000	521A-36	59315-34J00-000	535A-7
57433-30H10-000	467A-5	51195-34J00-000	521A-37	59108-34J00-000	535A-8
57460-30H00-000	467A-6	51141-20L00-291	521A-38	59109-34J00-000	535A-9
57465-30H00-000	467A-7	51148-34J00-000	521A-39	59351-34J00-000	535A-10
57211-22D12-000	467A-8	51147-41K00-000	521A-40	59187-34J00-000	535A-11
57500-41K00-000	467A-9	51147-34J00-000	521A-41	59188-34J00-000	535A-12
57621-41K00-000	467A-10	51410-20L00-000	524A-1	59382-34J00-000	535A-13
57431-41K00-000	467A-11	51644-41K00-000	524A-2	59145-34J00-000	535A-14
57441-41K00-000	467A-14	51622-41K00-000	524A-3	59665-34J00-000	535A-15

50000

PART NO.	FIG.NO.-REF.NO.	PART NO.	FIG.NO.-REF.NO.	PART NO.	FIG.NO.-REF.NO.
59121-30H00-000	535A-16	63118-41K00-000	472A- 5	64741-41K00-000	550A- 6
59122-30H00-000	535A-17	63111-20L00-000	474A- 2	69211-20L00-000	550A- 7
59400-20L00-000	536A- 1	63112-20L00-000	474A- 3	61410-41K00-000	550A-11
59200-20L00-000	536A- 2	63118-41K00-000	474A- 4	61421-41K00-000	550A-12
59492-30H40-000	536A- 3	63191-34J00-000	474A- 5	61445-41K00-000	550A-14
59502-30H00-000	536A- 4	68181-20L0-AJM	481A-24-1	64721-41K00-000	550A-15
59260-20L00-000	536A- 6	68181-20L0-CWT	481A-24-2	65110-20L01-000	550A-16
59541-41K10-000	536A- 8	68181-20L0-GYB	481A-24-3	64541-41K00-000	550A-18
59600-30H50-000	537A- 1	68182-20L0-CDU	481A-25-1	64611-01D10-000	550A-19
59870-30H00-000	537A- 2	68182-20L0-CDW	481A-25-2	64511-41K00-000	550A-20
59665-30H00-000	537A- 3	68182-20L0-CWS	481A-25-3	64733-01D00-000	550A-22
59610-30H00-000	537A- 4	68192-20L0-CDU	481A-26-1	64831-41K00-000	550A-24
57318-30H00-000	537A- 5	68192-20L0-CDW	481A-26-2	64751-41K00-000	550A-25
59667-12K00-000	537A- 6	68192-20L0-CWS	481A-26-3	61455-41K00-000	550A-26
59687-23K00-000	537A- 7	68183-20L0-CDZ	485A- 1-1	64711-41K00-000	550A-27
59671-30H00-000	537A- 8	68183-20L0-CWT	485A- 1-2	69100-20L10-000	555A- 1
59688-30H00-000	537A- 9	68183-20L0-JSP	485A- 1-3	69100-27870-000	555A- 2
59668-30H00-000	537A-10	68184-20L0-AA3	485A- 2-1	69100-27860-000	555A- 3
59691-30H00-000	537A-11	68184-20L0-CD1	485A- 2-2	69100-27890-000	555A- 4
59669-30H00-000	537A-12	68184-20L0-CWT	485A- 2-3	69345-27K00-000	555A- 5
59218-34J20-000	550A- 8	68185-20L0-CDT	485A- 3-1	69746-27K00-000	555A- 6
54162-41K00-000	550A- 9	68185-20L0-CDU	485A- 3-2	69115-27K00-000	555A- 7
55411-41K00-000	550A-28-1	68185-20L0-CWS	485A- 3-3	69720-20L00-000	555A-10
55412-41K00-000	550A-28-2	68193-20L0-CDZ	485A- 4-1	69116-27K00-000	555A-12
55413-41K00-000	550A-28-3	68193-20L0-CWT	485A- 4-2	69187-27K00-000	555A-13
59108-34J00-000	555A- 8	68193-20L0-JSP	485A- 4-3	69200-20L00-000	558A- 1
59109-34J00-000	555A- 9	68194-20L0-AA3	485A- 5-1	69400-20L00-000	558A- 2
59187-34J00-000	555A-11	68194-20L0-CD1	485A- 5-2	69600-41K00-000	558A- 8
59121-30H00-000	555A-14	68194-20L0-CWT	485A- 5-3	96042-18100-000	558A- 9
59122-30H00-000	555A-15	68195-20L0-CDT	485A- 6-1	69666-27K00-000	558A-10
59492-30H40-000	558A- 4	68195-20L0-CDU	485A- 6-2	69692-41K00-000	558A-11
59502-30H00-000	558A- 5	68195-20L0-CWS	485A- 6-3	69693-27K00-000	558A-12
59735-27K00-000	558A-27	68319-39J00-000	496A- 1	69665-27K00-000	558A-13
		68332-20L0-000	496A- 2	69671-41K00-000	558A-14
		65710-20L0-000	533A-11	69872-27K00-000	558A-15
		65741-41K00-000	533A-13	69740-27K00-000	558A-20
		61100-20L0-000	541A- 1	69689-27K00-000	558A-21
		61280-41K00-000	541A- 2	69667-27K00-000	558A-22
		61251-41K00-000	541A- 4	69669-27K00-000	558A-23
		61262-41K00-000	541A- 6	69668-27K00-000	558A-24
		61211-30H00-000	541A- 9	69731-41K00-000	558A-26
		61273-41K00-000	541A-10	68200-20810-CEK	970B- 1-1
		61311-20L00-000	542A- 1	68200-20810-CEL	970B- 1-2
		68135-20L0-CDT	445A- 6-1	68100-20820-000	970C- 1
		68135-20L0-CDU	445A- 6-2	62658-47H00-000	545A- 2
		68135-20L0-CWS	445A- 6-3	62668-30B00-000	545A- 5
		68145-20L0-CDT	445A- 7-1	64111-20L01-QC3	550A- 1
		68145-20L0-CDU	445A- 7-2	64651-20L0-000	550A- 2
		68145-20L0-CWS	445A- 7-3	64731-41K00-000	550A- 3
		63114-41K00-000	445A-11	64841-41K00-000	550A- 5

60000

90000

PART NO.	FIG.NO.-REF.NO.	PART NO.	FIG.NO.-REF.NO.	PART NO.	FIG.NO.-REF.NO.
99000-69471-000	126A-19				
94433-05J00-000	445A-12				
94642-10GA0-000	446A-15				
94433-05J00-000	474A- 9				
94411-20L00-000	481A- 3				
94412-20L00-291	481A- 4	09106-07027-000	102A- 3	09181-28187-000	120A- 3-1
94414-20L00-000	481A- 5	09381-10004-000	103A- 2	09181-28021-000	120A- 3-2
94421-20L11-QSB	481A- 6-1	09206-08008-000	103A- 3	09181-28188-000	120A- 3-3
94421-20L11-YU1	481A- 6-2	01547-0612A-000	103A- 6	09181-28189-000	120A- 3-4
94421-20L11-YVB	481A- 6-3	07130-0650A-000	103A- 7	09181-28190-000	120A- 3-5
94431-20L11-QSB	481A- 7-1	09103-06545-000	103A- 8	09181-28191-000	120A- 3-6
94431-20L11-YU1	481A- 7-2	09103-10470-000	103A- 9	09181-28192-000	120A- 3-7
94431-20L11-YVB	481A- 7-3	09160-10164-000	103A-10	09181-28193-000	120A- 3-8
94471-20L00-000	481A- 8	04211-13189-000	103A-12	09181-28194-000	120A- 3-9
94481-20L00-000	481A- 9	09482-00646-000	103A-13	09181-28197-000	120A- 3-10
94510-20L00-000	481A-10	01550-0612A-000	103A-14	09181-28200-000	120A- 3-11
94621-34J10-000	481A-11	09168-06018-000	103A-15	09181-28202-000	120A- 3-12
94590-20L00-000	481A-23	01550-0820B-000	103A-16	09181-28204-000	120A- 3-13
94611-20L00-000	481A-27	04211-13189-000	107A- 3	09181-28207-000	120A- 3-14
94416-20L00-000	481A-28	04211-09149-000	108A- 2	09181-28209-000	120A- 3-15
94417-20L00-000	481A-29	01547-0645A-000	108A- 3	09262-28060-000	120A- 4
94570-20L00-000	483A- 1	01547-0655A-000	108A- 4	09262-28061-000	120A- 5
94580-20L00-000	483A- 2	01547-0665A-000	108A- 5	09282-12013-000	120A- 6
94460-20L00-000	483A- 4	01547-0680A-000	108A- 6	09140-18004-000	120A-11
94413-20L00-000	485A- 8	01547-0612A-000	108A- 8	09160-18044-000	120A-12
94441-20L00-QSB	485A- 9-1			09421-05011-000	120A-13
94441-20L00-YU1	485A- 9-2			09381-17005-000	120A-17
94441-20L00-YVB	485A- 9-3	09168-06004-000	108A-12	01547-0612A-000	120A-20
94442-20L00-000	485A-10	09247-12106-000	108A-13	09202-12003-000	122A- 2
94451-20L00-QSB	485A-11-1	09168-12L02-000	108A-14	07130-0616A-000	122A- 6
94451-20L00-YU1	485A-11-2	09103-10077-000	108A-15	08331-31409-000	124A- 6
94451-20L00-YVB	485A-11-3	09103-10709-000	108A-16	09262-15060-000	124A- 8
94452-20L00-000	485A-12	08319-3110B-000	108A-17	09421-05011-000	124A- 9
94491-20L00-000	485A-13	04211-09149-000	112A- 4	09140-14022-000	124A-11
94530-20L00-000	485A-14	01547-0625A-000	112A- 5	09202-04017-000	124A-12
94540-20L00-000	485A-15	01547-0635A-000	112A- 6	09390-22002-000	126A- 2
96412-33G50-000	497A- 2	01547-0645A-000	112A- 7	09160-08176-000	126A- 4
96414-33G50-000	497A- 3	01550-0812B-000	112A- 8	09289-05019-000	126A-14
96511-20L00-000	497A- 4	09168-08015-000	112A- 9	01547-0625B-000	127A- 9
96513-23J00-000	497A- 5	09280-17003-000	112A-11	01547-0620A-000	140A- 9
96513-23J10-000	497A- 6	04211-09149-000	112A-14	09280-40021-000	140A-13
96514-23J00-000	497A- 7	01547-0625A-000	112A-15	01547-0625A-000	140A-14
96514-23J10-000	497A- 8	01547-0635A-000	112A-16	03541-0520A-000	155A-11
99011-20L10-74A	497A- 9	01547-0645A-000	112A-17	09401-12418-000	155A-13
94990-28G22-000	497A-10	09259-26035-000	112A-18	09401-14101-000	155A-15
95700-09G60-000	505A-16	09280-22008-000	112A-19	01580-0616A-000	155A-16
94200-20810-000	970E- 1	09247-14054-000	112A-20	07130-0825A-000	163A- 3
94240-41KA0-000	970E- 2	09168-14002-000	112A-21	09139-06194-000	163A- 5
94210-41KA0-000	970E- 6	01547-0616A-000	112A-24	09160-06156-000	163A- 6
		01547-0625A-000	112A-26	09180-06256-000	163A- 7
				09320-08504-000	163A- 8
				01550-0845B-000	163A-10
				09103-08558-000	163A-11
					163A-12

00000

PART NO.	FIG.NO.-REF.NO.	PART NO.	FIG.NO.-REF.NO.	PART NO.	FIG.NO.-REF.NO.
09180-10164-000	163A-13	04221-04089-000	212A-14	09481-10501-000	350A-4
09320-14027-000	163A-14	07130-0616A-000	212A-15	09481-15501-000	350A-5
09160-08174-000	163A-15	09283-14005-000	212A-17	09481-20501-000	350A-6
08319-3108A-000	163A-16	09181-14167-000	212A-22	09407-14L01-000	350A-9
03241-0412B-000	163A-20	09280-26005-000	212A-28	09407-14407-000	350A-10
09148-05083-000	163A-21	07120-0520A-000	212A-29	01550-0610B-000	350A-14
09181-10158-000	170A-4	09209-05011-000	212A-30	09404-06429-000	350A-16
08331-31109-000	170A-5	09440-04010-000	212A-31	01550-0620A-000	350A-17
09280-09013-000	170A-6	09407-15L01-000	212A-32	09407-14407-000	352A-4
04211-09149-000	170A-7	09160-12011-000	212A-34	09407-15L01-000	355A-2
01547-0625A-000	170A-9	08331-3112A-000	212A-35	01550-0816A-000	401A-3
01547-0645A-000	170A-10	09263-14036-000	212A-36	01550-0812B-000	401A-6
09280-13010-000	170A-13	09140-06025-000	212A-37	08319-3110B-000	401A-8
09280-54001-000	170A-15	01500-0620B-000	212A-38	09111-06063-000	406A-4
01547-0620A-000	170A-17	08310-0006A-000	212A-39	09139-06219-000	406A-5
01547-0612A-000	172A-7	01547-0625A-000	301A-7	03541-0512A-000	406A-7
09116-06111-000	178A-4	08361-3506A-000	301A-8	08319-2110B-000	407A-3
09180-06310-000	178A-5	09404-06429-000	303A-6	01550-0612B-000	407A-7
09320-10015-000	178A-6	01550-0610A-000	303A-7	09160-15002-000	407A-9
09168-16002-000	178A-9	07130-0512B-000	303A-8	04111-3025A-000	407A-10
09360-14016-000	178A-10	07130-0530B-000	303A-9	01550-0825A-000	412A-2
09360-16002-000	178A-11	09420-04008-000	303A-10	09106-08210-000	415A-3
01550-0612A-000	178A-12	09407-15L01-000	303A-11	09200-08077-000	415A-5
08211-20363-000	201A-2	09462-00007-000	310A-3	04111-2515A-000	415A-6
08211-16283-000	201A-5	08361-3506A-000	311A-2	09448-20012-000	415A-7
09140-16038-000	201A-6	09160-06060-000	313A-4	07120-0512A-000	415A-12
08110-69030-000	201A-16	09180-06380-000	313A-5	07130-0616A-000	415A-16
08331-41309-000	201A-17	08316-1006B-000	313A-6	04111-2515A-000	415A-20
09263-09002-000	201A-19	01547-0630B-000	313A-7	09440-05003-000	415A-21
09263-12030-000	201A-20	01547-0620A-000	316A-3	06111-07004-000	415A-22
09285-11001-000	201A-21	01547-0612A-000	316A-4	01550-0816B-000	415A-24
01500-0616B-000	201A-23	09280-63003-000	322A-3	09160-08156-000	415A-25
09263-17060-000	206A-9	09160-04026-000	330A-3	09106-05017-000	420A-3
09262-17055-000	206A-15	03541-0416A-000	330A-4	01550-0635A-000	420A-11
08112-63040-000	206A-16	03541-0616B-000	333A-3	01550-0612A-000	420A-13
09262-25189-000	206A-17	02162-0616B-000	333A-5	09408-00343-000	420A-17
08110-62030-000	206A-18	09160-06151-000	333A-6	09139-05096-000	423A-18
09380-22018-000	206A-19	09119-06140-000	333A-8	09148-05L04-000	423A-19
09160-22088-000	206A-20	09471-12226-000	334A-5	02142-0608A-000	423A-20
09160-17063-000	206A-21		334A-11	03541-0512A-000	423A-21
09380-25016-000	206A-22	09407-15L01-000	334A-15	09401-08004-000	427A-2
09283-34016-000	206A-23	09407-14407-000	334A-16	09401-09406-000	427A-3
01500-0610A-000	206A-25	09471-12226-000	334A-18	01547-0612A-000	427A-6
02112-0612A-000	206A-27		334A-24	09401-11010-000	427A-11
09280-24008-000	206A-28	01550-0616A-000	339A-4	08316-1006A-000	427A-14
09167-25019-000	206A-31	03541-0512A-000	339A-5	09409-06L07-000	445A-4
09140-20022-000	206A-32	09160-05050-000	339A-8	09409-08014-000	445A-5
08110-6905A-000	212A-6	03541-0512A-000	339A-9	09320-09016-000	445A-13
02112-0612A-000	212A-8	09160-05050-000	339A-11	09320-20011-000	445A-14
08211-06121-000	212A-11	08319-2105A-000	339A-12	09409-08009-000	445A-15

PART NO.	FIG.NO.-REF.NO.	PART NO.	FIG.NO.-REF.NO.	PART NO.	FIG.NO.-REF.NO.
09139-05092-000	446A-4	09409-06L07-000	485A-20		
09139-06230-000	446A-5	09409-06346-000	485A-21		
09320-09016-000	446A-6	09409-08L09-000	485A-22		
09409-08014-000	446A-7	09409-08014-000	485A-23		
09409-08009-000	446A-11	01550-0616A-000	485A-24		
09160-06060-000	460A-5	01550-0616B-000	485A-25		
09160-09015-000	460A-6	03541-0516A-000	485A-26		
09320-09016-000	460A-7	09139-06241-000	505A-5		
01550-0620A-000	460A-8	09320-09016-000	505A-6		
07130-0655B-000	462A-4	02122-0630A-000	505A-11		
09403-18409-000	466A-6	09407-17403-000	505A-13		
01550-0612A-000	466A-7	06111-06004-000	524A-16		
02112-0510B-000	466A-8	06111-08004-000	524A-19		
08319-2106A-000	467A-12	08123-6302B-000	530A-4		
01547-0620B-000	467A-13	07130-0512A-000	530A-12		
09139-06230-000	472A-6	01547-0612B-000	533A-3		
09169-06099-000	472A-7	01547-0616B-000	533A-8		
08313-2006B-000	472A-8	01547-0612B-000	533A-10		
08322-0110A-000	472A-9	01547-0616B-000	533A-12		
09139-06230-000	474A-6	09407-14407-000	533A-14		
09409-06L07-000	474A-7	01550-0835A-000	535A-18		
09111-06102-000	474A-8	01547-0612B-000	536A-5		
09148-05060-000	474A-10		536A-7		
01550-0612A-000	474A-12	01547-0620B-000	536A-9		
08322-0105A-000	474A-13	09263-22077-000	541A-3		
09139-06242-000	481A-1	09160-14079-000	541A-5		
09320-09016-000	481A-2	08319-2114A-000	541A-7		
09139-05091-000	481A-12	09160-14078-000	541A-8		
09139-05092-000	481A-13	09111-06072-000	541A-11		
09139-05096-000	481A-14	09111-06107-000	542A-2		
09148-05060-000	481A-15	09159-12085-000	545A-3		
09320-08018-000	481A-16	09160-12131-000	545A-4		
09409-06L07-000	481A-17	08123-6303B-000	550A-4		
09409-06346-000	481A-18	07130-0512A-000	550A-10		
09409-08L09-000	481A-19	08319-3108A-000	550A-13		
09409-08014-000	481A-20	08319-3110A-000	550A-21		
03541-0512A-000	481A-21	08133-6305B-000	550A-23		
03541-0516A-000	481A-22	01547-0630A-000	558A-3		
08322-0105A-000	481A-30	09403-07410-000	558A-6		
01550-0620A-000	483A-3	09403-17311-000	558A-7		
09103-06553-000	483A-5	09200-06037-000	558A-16		
09139-06205-000	483A-6	08322-0106A-000	558A-17		
09160-06152-000	483A-7	04111-2015A-000	558A-18		
09180-06382-000	483A-8	07130-0625A-000	558A-19		
09320-10078-000	483A-9	01550-0612A-000	558A-25		
08319-3106B-000	483A-10	08316-1006B-000	970E-3		
09111-06072-000	485A-16	08319-3108B-000	970E-5		
09111-06102-000	485A-17				
09139-05091-000	485A-18				
09320-08018-000	485A-19				

# SUZUKI GENUINE MERCHANDISE /ACCESSORIES



PART NO	ENGLISH NAME
99000F10718C00M	SUZUKI YLW RIDING JCKT Size:M/99cm
99000F10718C00L	SUZUKI YLW RIDING JCKT Size:L/104cm
99000F10718CXXL	SUZUKI YLW RIDING JCKT Size:XXL/115cm



PART NO	ENGLISH NAME
99000F10417C00M	WIND CHEATER Size : M/110cm
99000F10417C000	WIND CHEATER Size : XL/120cm



PART NO	ENGLISH NAME
99000F10868C00L	SUZUKI BLK RIDING JCKT Size:L/104cm
99000F10868C00M	SUZUKI BLK RIDING JCKT Size:M/99cm
99000F10868C0XL	SUZUKI BLK RIDING JCKT Size:XL/109cm
99000F10868C3XL	SUZUKI BLK RIDING JCKT Size:3XL/120cm
99000F10868CXXL	SUZUKI BLK RIDING JCKT Size:XXL/115cm



PART NO	ENGLISH NAME
99000F10717C00S	NEW MOTO GP SHIRT-S Size/105cm
99000F10717C00M	NEW MOTO GP SHIRT-M Size/110cm
99000F10717C00L	NEW MOTO GP SHIRT-L Size/115cm
99000F10717C0XL	NEW MOTO GP SHIRT-XL Size/120cm
99000F10717CXXL	NEW MOTO GP SHIRT-XXL Size/125cm

# SUZUKI GENUINE ACCESSORIES



PART NO	ENGLISH NAME
99000F10685CB0M	HELMET_OF_ECO_BLU_M
99000F10685CB0L	HELMET_OF_ECO_BLU_L
99000F10685CBXL	HELMET_OF_ECO_BLU_XL
99000F10685CR0M	HELMET_OF_ECO_RED_M
99000F10685CR0L	HELMET_OF_ECO_RED_L
99000F10685CRXL	HELMET_OF_ECO_RED_XL



PART NO	ENGLISH NAME
99000F10650C00M	HELMET_ECO_FF_BLK_M
99000F10650C00L	HELMET_ECO_FF_BLK_L
99000F10650C0XL	HELMET_ECO_FF_BLK_XL
99000F10649C00M	HELMET_ECO_OF_BLK_M
99000F10649C00L	HELMET_ECO_OF_BLK_L
99000F10649C0XL	HELMET_ECO_OF_BLK_XL



PART NO	ENGLISH NAME
99000F10587C000	HELMET_FF_BLK
99000F10587CXXL	HELMET_FF_BLK_XXL
99000F10571C00S	HELMET_OF_BLU_S



PART NO	ENGLISH NAME
99000F10673C00M	HELMET_PRE_ECO_OF_2_M
99000F10673C00L	HELMET_PRE_ECO_OF_2_L
99000F10673C0XL	HELMET_PRE_ECO_OF_2_XL
99000F10672C00M	HELMET_PRE_ECO_OF_1_M
99000F10672C00L	HELMET_PRE_ECO_OF_1_L
99000F10672C0XL	HELMET_PRE_ECO_OF_1_XL



PART NO	ENGLISH NAME
99000F10410GB0M	HELMET_FF_BLK_M
99000F10410GB0L	HELMET_FF_BLK_L
99000F10410GBXL	HELMET_FF_BLK_XL
99000F10537CB0M	HELMET_FF_BLUE_M
99000F10537CB0L	HELMET_FF_BLUE_L
99000F10537CBXL	HELMET_FF_BLUE_XL



PART NO	ENGLISH NAME
99000F10781C00M	HELMET_PRE_ECO_OF_3_M
99000F10781C00L	HELMET_PRE_ECO_OF_3_L
99000F10781C0XL	HELMET_PRE_ECO_OF_3_XL



PART NO	ENGLISH NAME
99000F10782C00M	HELMET_PRE_ECO_OF_4_M
99000F10782C00L	HELMET_PRE_ECO_OF_4_L
99000F10782C0XL	HELMET_PRE_ECO_OF_4_XL



PART NO	ENGLISH NAME
99000F10873C00L	HELMET_ECO_FF_L
99000F10873C00M	HELMET_ECO_FF_M
99000F10873C0XL	HELMET_ECO_FF_XL
99000F10873CXXL	HELMET_ECO_FF_XXL



PART NO	ENGLISH NAME	MODEL
94200-20810-000	BUMPER SET, FRONT	GSX150RLM0- GSX250RLM0- DS250RLM3-

# SUZUKI GENUINE ACCESSORIES



PART NO	ENGLISH NAME	MODEL
99000F41K00C001	TAPE SET, TANK PAD (SILVER)	GSX150FRLM0~



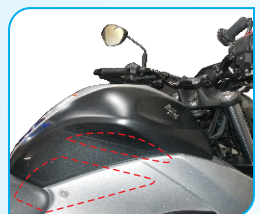
PART NO	ENGLISH NAME	MODEL
99000F10719C000	SEAT COVER	GSX150RLM0~ GSX150FRLM0~ GSX250FRLM0~



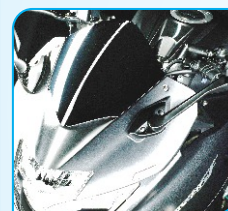
PART NO	ENGLISH NAME	MODEL
99000F41K00C000	TAPE SET, TANK PAD (BLUE)	GSX150FRLM0~



PART NO	ENGLISH NAME	MODEL
38850-41K00-000	TERMINAL POWER SOURCE	GSX150 FRLM0~ GSX250 FRLM0~
09407-14407-000	CLAMP, POWER SOURCE	
09407-15L01-000	CLAMP, POWER SOURCE	
92230-41K00-000	BRACKET, POWER SOURCE	
01550-1016B-000	BOLT, POWER SOURCE BRACKET	



PART NO	ENGLISH NAME	MODEL
99000F10623C000	TAPE SET, KNEE GRIP PAD	GSX150RLM0~



PART NO	ENGLISH NAME	MODEL
94611-41K10-000	VISOR METER	GSX150FRLM0~ GSX250FRLM0~



PART NO	ENGLISH NAME	MODEL
99000-41K00-RED	TAPE SET, WHEEL (RED)	GSX150FRLM0~ GSX250FRLM0~



PART NO	ENGLISH NAME	MODEL
99000-41K00-YLW	TAPE SET, WHEEL (YELLOW)	GSX150FRLM0~ GSX250FRLM0~



PART NO	ENGLISH NAME	MODEL
99000F10624C000	TAPE SET, PROTECTION	GSX150RLM0~

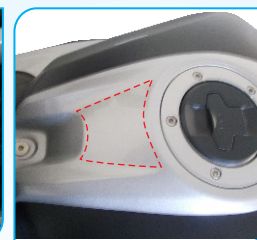
# SUZUKI GENUINE ACCESSORIES



PART NO	ENGLISH NAME	MODEL
57341-41KA0-000	COVER, KNUCKLE, R	GSX150RLM0 ~
57541-41KA0-000	COVER, KNUCKLE, L	
57472-41KA0-000	BRACKET, KNUCKLE COVER, R	
57672-41KA0-000	BRACKET, KNUCKLE COVER, L	
57471-41KA0-000	HOLDER, KNUCKLE COVER	
57346-41KA0-000	SPACER, KNUCKLE COVER	
56272-10G00-000	EXPANDER, HANDLE BALANCER	
56273-10G10-000	NUT	
56278-41K00-000	BALANCER, HANDLEBAR	
09139-06230-000	SCREW	
09160-06131-000	WASHER, HANDLE BALANCER	
01547-0625B-000	BOLT	
09127-06018-000	SCREW, HANDLE BALANCER	
56272-28F10-000	EXPANDER, HANDLE BALANCER OUTER	
56276-41K10-000	SPACER, EXPANDER	



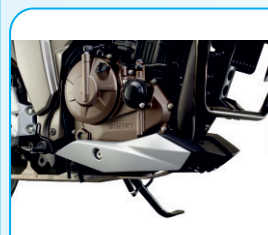
PART NO	ENGLISH NAME	MODEL
99000F41K10C000	TAPE SET, KNEE GRIP PAD	GSX150FRLM0~ GSX250FRLM0~



PART NO	ENGLISH NAME	MODEL
99000F41K20C000	TAPE SET, PROTECTION	GSX150FRLM0~ GSX250FRLM0~



PART NO	ENGLISH NAME	MODEL
99000F10639C000	BODY COVER NEW GIXXER SF	GSX150FRLM0~ GSX250FRLM0~



PART NO	ENGLISH NAME	MODEL
94471-41KA0-YVB	COWLING, UNDER, R (BLACK)	GSX150RLM0~
94481-41KA0-YVB	COWLING, UNDER, L (BLACK)	

NOTE:- FOR CHILD PARTS REFER THE CATALOGUE TEXT PAGE.

# SUZUKI GENUINE ACCESSORIES



PART NO	ENGLISH NAME	MODEL
94200-20810-000	BUMPER SET, FRONT	DS250RLM3~



PART NO	ENGLISH NAME	MODEL
68100-20810-000	EMBLEM SET, FUEL TANK CTR	DS250RLM3~



PART NO	ENGLISH NAME	MODEL
68100-20820-000	EMBLEM SET, FUEL TANK R&L	DS250RLM3~



PART NO	ENGLISH NAME	MODEL
45100-20L10-QV4	SEAT ASSY	DS250RLM3~



PART NO	ENGLISH NAME	MODEL
68200-20810-CEL	TAPE SET, WHEEL (RED)	DS250RLM3~



PART NO	ENGLISH NAME	MODEL
68200-20810-CEK	TAPE SET, WHEEL (YELLOW)	DS250RLM3~



# ECSTAR

SUZUKI GENUINE OIL



High Power Performance with Smooth Gear Shift

PART NO	VENDOR	TYPE	GRADE	PACK SIZE
990P0-21010-001	IDEMITSU	10W-40	FULL SYNTHETIC	1Ltr.

PART NO	VENDOR	TYPE	GRADE	PACK SIZE
990P0-21010-1P1	IDEMITSU	10W-40 MA2	FULL SYNTHETIC	1.1Ltr.

PART NO	VENDOR	TYPE	GRADE	PACK SIZE
990P0-21010-1P2	IDEMITSU	10W-40 MA2	FULL SYNTHETIC	1.2 Ltr.

# SUZUKI GENUINE & RECOMMENDED OIL & CHEMICALS



## IDEMITSU



PART NO	TYPE	GRADE	PACK
990PO-21050-001	10W-40 MA	SEMI SYNTHETIC	1 Ltr.
990PO-21050-1P1	10W-40 MA	SEMI SYNTHETIC	1.1 Ltr.
990PO-21050-1P2	10W-40 MA	SEMI SYNTHETIC	1.2 Ltr.

## MOTUL



PART NO	TYPE	GRADE	PACK
990PO-21020-001	10W-40	MINERAL	1 Ltr.

## ECSTAR



PART NO	TYPE	GRADE	PACK
990PO-23010-P20	BRAKE FLUID	DOT-4	200ML

## ECSTAR



PART NO	TYPE	GRADE	PACK
990PO-99010-P50	FRONT FORK OIL	2W-35	1 Ltr.

## ECSTAR



PART NO	TYPE	PACK
990PO-59050-P40	MULTIPURPOSE SPRAY	400ML

## ECSTAR



PART NO	TYPE	PACK
990PO-59040-P60	ECSTAR BIKE CARE KIT	600ML

## MOTUL



PART NO	TYPE	GRADE	PACK
9900EF32001C031	10W-40 (300V)	FULL SYNTHETIC	1 Ltr.

## MOTUL



PART NO	TYPE	GRADE	PACK
9900EF32001C041	10W-40 (4T-7100)	FULL SYNTHETIC	1 Ltr.

**NOTE:- KINDLY PLACE THE ORDERS OF BRAKE FLUID, MULTIPURPOSE SPRAY & FRONT FORK OIL DIRECTLY TO SMIPL. FOR ENGINE OIL PLACE ORDERS TO OUR AUTHORISED OIL COMPANY.**

# SUZUKI GENUINE LUSTER WAX & CHAIN CLEAN/CHAIN LUBE



SMIPL



**ORDER TO SMIPL**

MOTUL



MOTUL



IDEMITSU



PART NO	TYPE	PACK SIZE
990P0-26010-P30	LUSTER WAX	300 ML

PART NO	TYPE	GRADE	PACK SIZE
990P0-59010-P40	CHAIN CLEAN	AEROSOL	400 ML

PART NO	TYPE	GRADE	PACK SIZE
990P0-59020-P40	CHAIN LUBE	AEROSOL	400 ML

PART NO	TYPE	GRADE	PACK SIZE
990P0-59030-P40	CHAIN CLEANER & LUBE	AEROSOL	400ML

**NOTE:- KINDLY PLACE THE ORDERS OF LUSTER WAX "990P0-26010-P30" DIRECTLY TO SMIPL. FOR CHAIN CLEANER & CHAIN LUBE PLACE ORDERS TO OUR AUTHORISED OIL COMPANY.**

## SUZUKI **DS250RLM5\_P74** PARTS CATALOGUE

---

1ST EDITION  
Published in 2025-02

© 2024 Suzuki Motor Corporation. All rights reserved.  
No part of this document may be reproduced or transmitted in any form or by any means, electronic or mechanical, for any purpose, without the express written permission of Suzuki Motor Corporation.

SUZUKI MOTORCYCLE INDIA PRIVATE LIMITED,  
Spare Parts Department  
Village Kherki Dhaula, Badshahapur, NH-8,  
Link Road, Gurgaon 122004 (HARYANA)

---

Reprint Prohibited

**SUZUKI MOTORCYCLE INDIA PVT. LTD.**